

K-No.: 23188

Signal -Transformer

Date: 26.10.2012

Customer: Standard Type

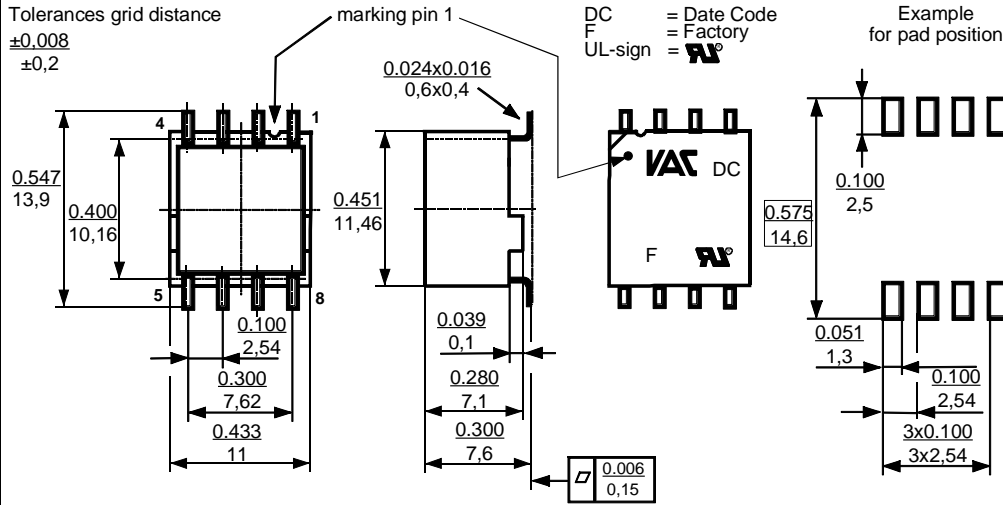
Customer part No.:

Page 1 of 3

Mechanical outline (Inches / mm)

General tolerances DIN ISO 2768-c

Tolerances grid distance  
±0.008  
±0,2



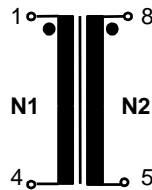
Connections:

Not connected pins  
2,3,6,7

Marking:

**VAC**  
5024X044 DC  
F UL-sign

Schematic diagram:



Turns ratio = 1 : 1

Operational data/characteristic data (nominal values):

f = 10 kHz ... 1 MHz

m = 1,88 g

I<sub>DC</sub> < 30 mA

R<sub>Cu1</sub> ≤ 200 mΩ;

R<sub>Cu2</sub> ≤ 200 mΩ

L<sub>S1-2</sub> ≤ 0,30 μH;

C<sub>K1-2</sub> ≤ 25 pF

Operating temperature: -40 °C ... +85 °C

Storage temperature: -40 °C ... +85 °C

Inspection: (V: 100%-Test; AQL...: DIN ISO 2859-Part1)

- |               |          |   |
|---------------|----------|---|
| 1) (V)        | M3014:   | U <sub>p,r.m.s.</sub> = 5,5 kV, 2s, N1 vs N2  |
| 2) (AQL 0,25) | M3214:   | L <sub>1</sub> ≥ 0,75 mH, f = 10 kHz, U <sub>AC,r.m.s.</sub> =100 mV, I <sub>DC</sub> = 30 mA |
| 3) (V)        | M3011/6: | Polarity / Turns ratio: Tolerance ± 2%  |
| 4) (AQL 0,25) | M3011/1: | L <sub>1</sub> = 1,40 mH ± 30%, f = 10 kHz, U <sub>AC,r.m.s.</sub> =100 mV                    |
| 5) (Fix 05)   | M3291:   | Solderability acc. to chapter 1   |
| 6) (AQL 1/S4) | M3200    | Mechanical test   |

See page 2

Applicable documents: See page 2

Date	Name	Index	Changes
26.10.12	Pf.	89	Operational data: IDC < 30 mA inserted. Lapidary change.

Editor.: KB-E	Designer: Bs.	KB-PM: Ert. check	Released.: HH
---------------	---------------	----------------------	---------------

Weitergabe sowie Vervielfältigung dieser Unterlage, Verwertung und Mitteilung ihres Inhalts nicht gestattet, soweit nicht ausdrücklich zugestanden. Zuwiderhandlungen verpflichten zu Schadenersatz. Alle Rechte für den Fall der Patenterteilung oder GM-Eintragung vorbehalten

Copying of this document, disclosing it to third parties or using the contents there for any purposes without express written authorization by use illegally forbidden. Any offenders are liable to pay all relevant damages.

K-No.: 23188

### Signal -Transformer

Date: 26.10.2012

Customer: Standard Type

Customer part No.:

Page 2 of 3

Type test:

1) High voltage test according to M3014

$U_{p,r.m.s.} = 6 \text{ kV}$ , 1 min, N1 vs N2

2) M3292: Lötwärmebeständigkeit nach Abschnitt 2  
Resistance to soldering heat acc. to chapter 2

Measurements after temperature balance of the test samples at room temperature

Applicable documents:

Designed, manufactured and tested in accordance with EN 60950-1 and complies with the standards.

Parameters: Reinforced insulation: N1 – N2

Working voltage  $U_{r.m.s.} = 250 \text{ V}$

Overvoltage category: 3

Material group: 3

Pollution degree: 2

Following report is available:

Certificate of Compliance of the Underwriters Laboratories Inc. (UL) (File No. E169721).

It is confirmed that this component meets the safety requirements of the following standards:

UL 60950-1, 2<sup>nd</sup> edition; C22.2 No. 60950-1-07, 2<sup>nd</sup> edition.

Housing material, casting resin and wire UL - listed

Packing: Packing according to M3510

Packing: Drypack / MSL according VAC M3027

Editor.: KB-E

Designer: Bs.

KB-PM: Ert.  
check

Released.: HH

K-No.: 23188

Signal -Transformer

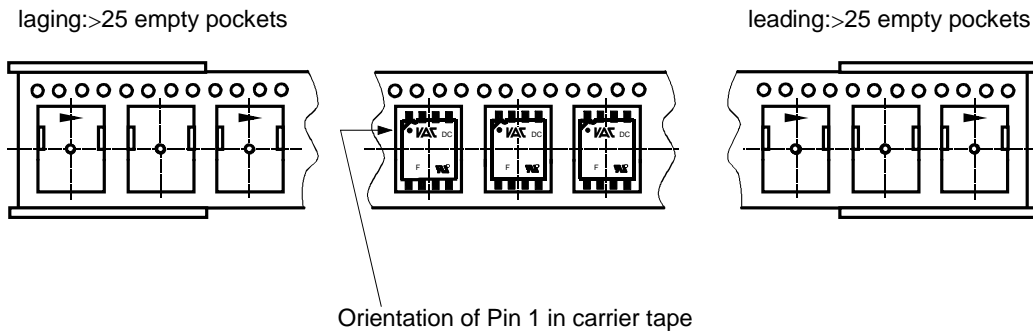
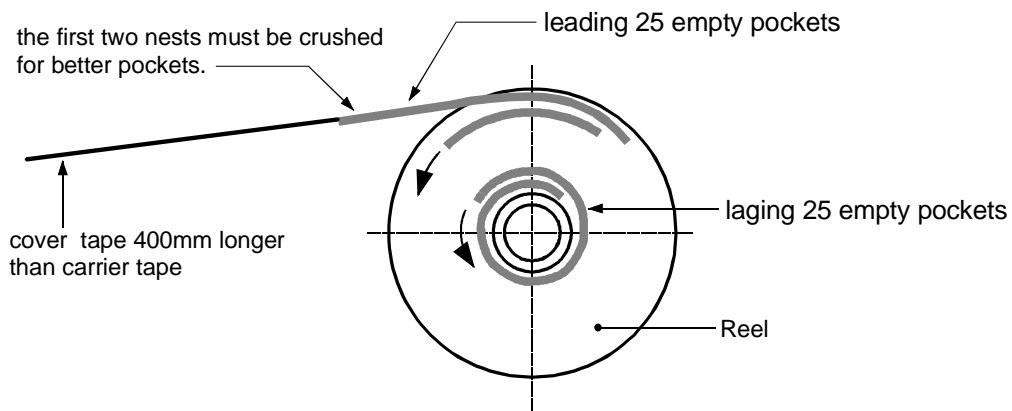
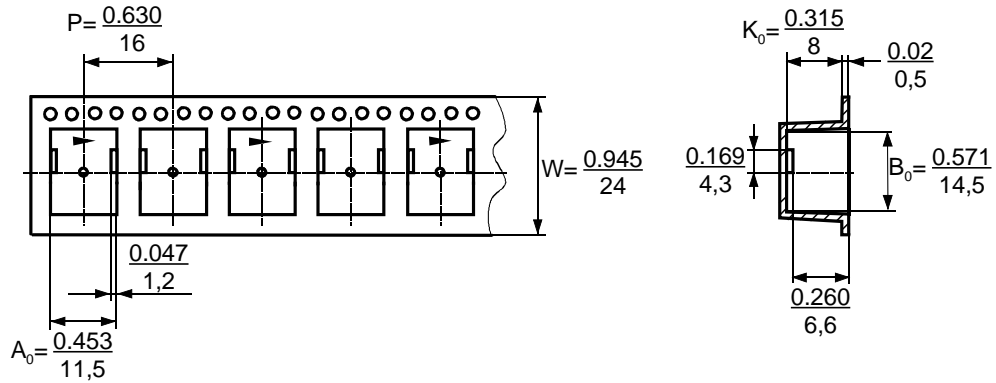
Date: 26.10.2012

Customer: Standard Type

Customer part No.:

Page 3 of 3

**Packing information**



Insertion of components according orientation 3 shown in M-sheet 3510

**Quantities in packing:** 450 pieces/tape (packing carton)  
5 tapes reel/carton (outside)=2250 pieces /carton(outside)

Editor.: KB-E

Designer: Bs.

KB-PM: Ert.  
check

Released.: HH

# Mouser Electronics

Authorized Distributor

Click to View Pricing, Inventory, Delivery & Lifecycle Information:

[Vacuumschmelze:](#)

[T60403-K5024-X044](#)