



Chipsmall Limited consists of a professional team with an average of over 10 year of expertise in the distribution of electronic components. Based in Hongkong, we have already established firm and mutual-benefit business relationships with customers from,Europe,America and south Asia,supplying obsolete and hard-to-find components to meet their specific needs.

With the principle of “Quality Parts,Customers Priority,Honest Operation,and Considerate Service”,our business mainly focus on the distribution of electronic components. Line cards we deal with include Microchip,ALPS,ROHM,Xilinx,Pulse,ON,Everlight and Freescale. Main products comprise IC,Modules,Potentiometer,IC Socket,Relay,Connector.Our parts cover such applications as commercial,industrial, and automotives areas.

We are looking forward to setting up business relationship with you and hope to provide you with the best service and solution. Let us make a better world for our industry!



## Contact us

Tel: +86-755-8981 8866 Fax: +86-755-8427 6832

Email & Skype: info@chipsmall.com Web: www.chipsmall.com

Address: A1208, Overseas Decoration Building, #122 Zhenhua RD., Futian, Shenzhen, China



# Class T Fuseblocks

## 600 Volt, 1/2 to 600 Amps

# T600



**Catalog Symbol:** T600

**Ampere Rating:** 1/2 to 600 Amperes

**Voltage Rating:** 600 Volts

**Agency Information:**

UL Listed, UL512, Guide IZLT, File E14853

CSA Certified, C22.2 No. 39, Class 6225-01, File 47235

**Withstand Rating:** 200,000A RMS Sym.

For use with Class T fuses (Bussmann JJS and LPT).

**Materials:** Glass Polyester, Phenolic on 600A

**UL Flammability:** 94 VO

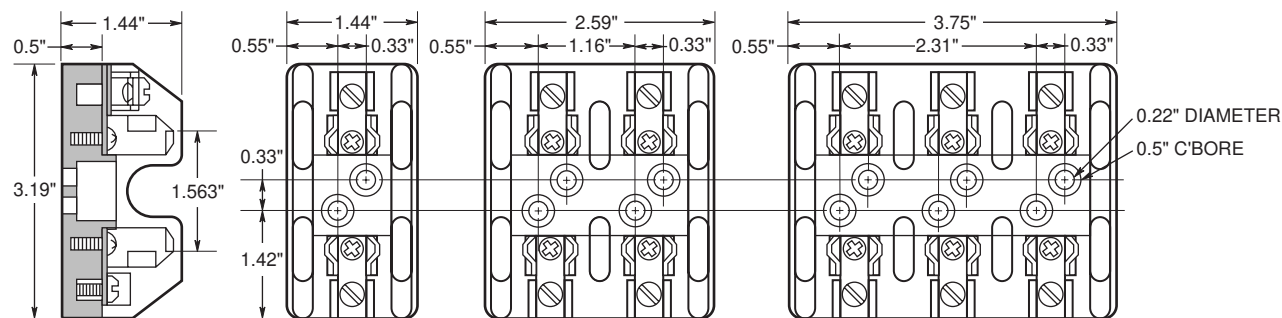
### Class T Fuseblocks (600V) Catalog Data

Amps	Poles	Catalog Numbers		Figure Number	Max. Wire Size
		Screw	Box Lug		
1/2-30	1	T60030-1SR	T60030-1CR	1	SR #10CU, CR #2CU-AL
	2	T60030-2SR	T60030-2CR		
	3	T60030-3SR	T60030-3CR		
31-60	1	T60060-1SR	T60060-1CR	2	CR#2CU-AL SR #10CU
	2	T60060-2SR	T60060-2CR		
	3	T60060-3SR	T60060-3CR		
61-100	1	—	T60100-1C	3	2/0 CU-AL
	2	—	T60100-2C		
	3	—	T60100-3C		
101-200	1	—	T60200-1C	4	250kcmil CU-AL
	3	—	1B0089		
201-400	1	—	T60400-1C	5	600kcmil CU-AL
401-600	1	—	T60600-1C	6	(2) 600kcmil CU-AL

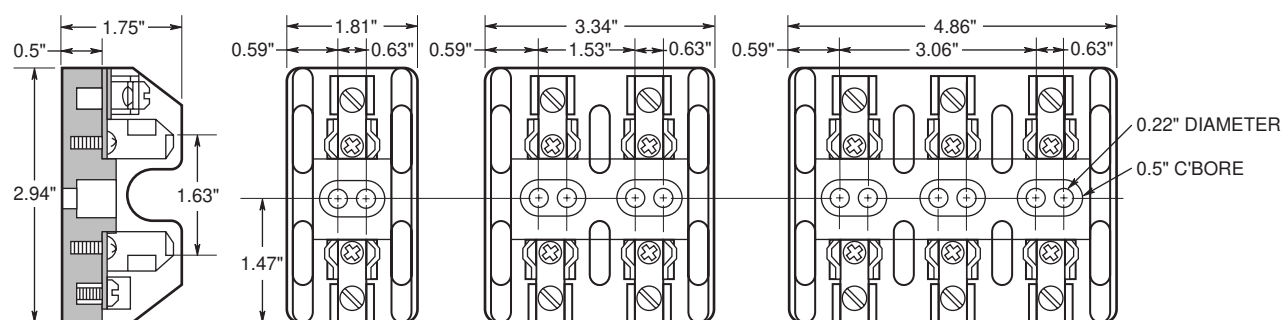
CE CE logo denotes compliance with European Union Low Voltage Directive (50-1000 VAC, 75-1500 VDC). Refer to Data Sheet #8002 or contact Bussmann Application Engineering at 636-527-1270 for more information.

### Dimensional Data

**Figure 1. 1/2A to 30A** All dimensions (± 0.016)



**Figure 2. 31A to 60A**



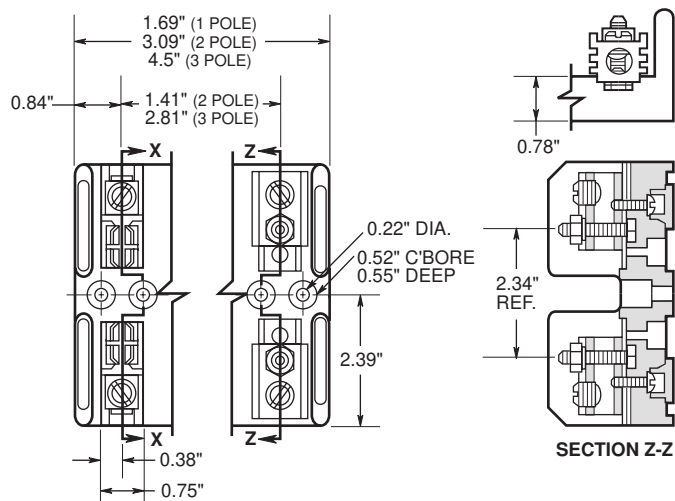
# Class T Fuseblocks

## 600 Volt, 1/2 to 600 Amps

# T600



Figure 3. 61A to 100A



All dimensions (± 0.016)

Figure 4. 101A to 200A

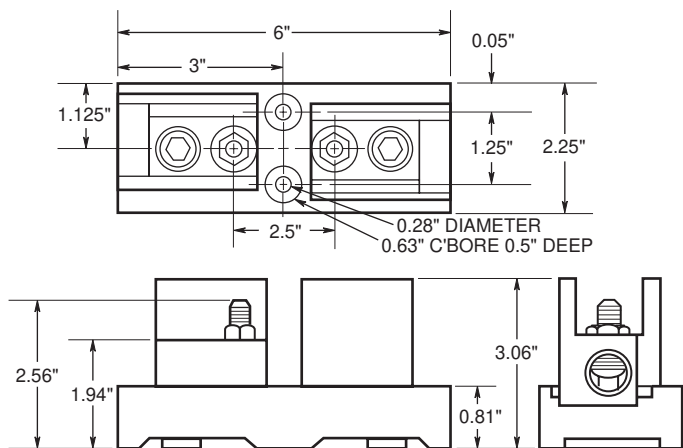


Figure 5. 201A to 400A

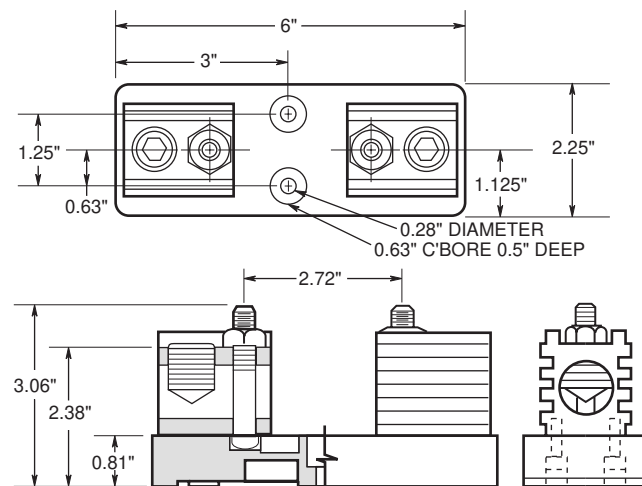
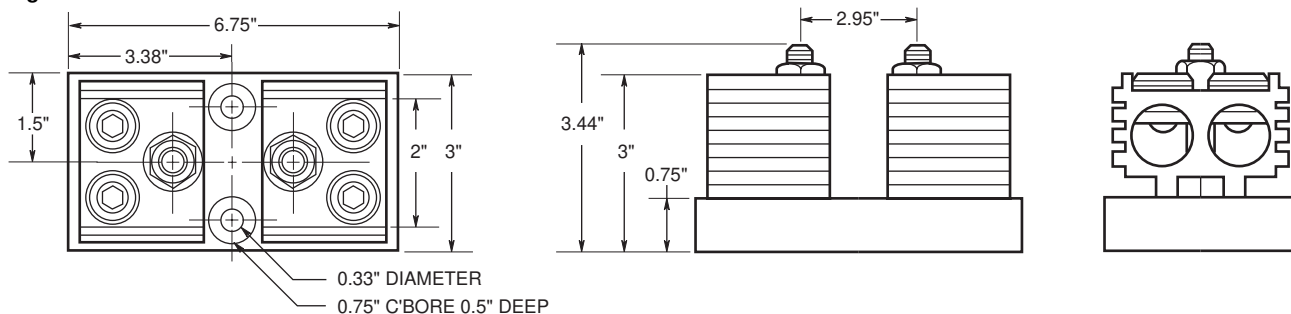


Figure 6. 401A to 600A



The only controlled copy of this Data Sheet is the electronic read-only version located on the Bussmann Network Drive. All other copies of this document are by definition uncontrolled. This bulletin is intended to clearly present comprehensive product data and provide technical information that will help the end user with design applications. Bussmann reserves the right, without notice, to change design or construction of any products and to discontinue or limit distribution of any products. Bussmann also reserves the right to change or update, without notice, any technical information contained in this bulletin. Once a product has been selected, it should be tested by the user in all possible applications.