



Chipsmall Limited consists of a professional team with an average of over 10 year of expertise in the distribution of electronic components. Based in Hongkong, we have already established firm and mutual-benefit business relationships with customers from,Europe,America and south Asia,supplying obsolete and hard-to-find components to meet their specific needs.

With the principle of “Quality Parts,Customers Priority,Honest Operation,and Considerate Service”,our business mainly focus on the distribution of electronic components. Line cards we deal with include Microchip,ALPS,ROHM,Xilinx,Pulse,ON,Everlight and Freescale. Main products comprise IC,Modules,Potentiometer,IC Socket,Relay,Connector.Our parts cover such applications as commercial,industrial, and automotives areas.

We are looking forward to setting up business relationship with you and hope to provide you with the best service and solution. Let us make a better world for our industry!



## Contact us

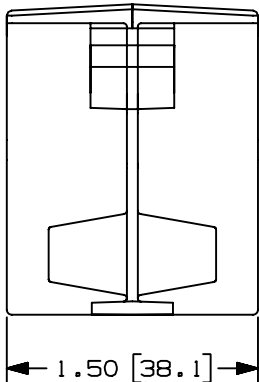
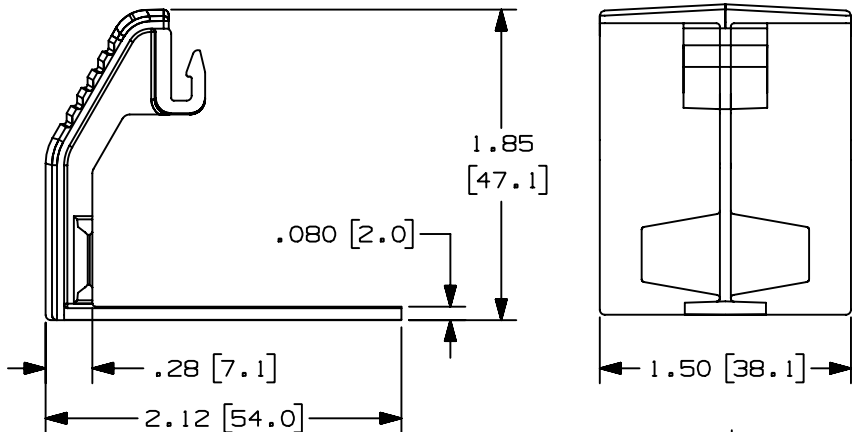
Tel: +86-755-8981 8866 Fax: +86-755-8427 6832

Email & Skype: info@chipsmall.com Web: www.chipsmall.com

Address: A1208, Overseas Decoration Building, #122 Zhenhua RD., Futian, Shenzhen, China



THIS COPY IS PROVIDED ON A RESTRICTED BASIS AND IS NOT TO BE USED IN ANY WAY DETRIMENTAL TO THE INTERESTS OF PANDUIT CORP.

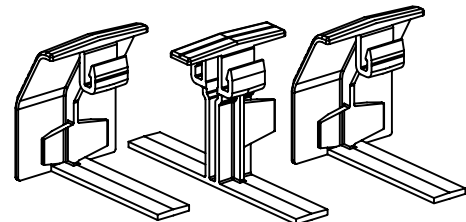
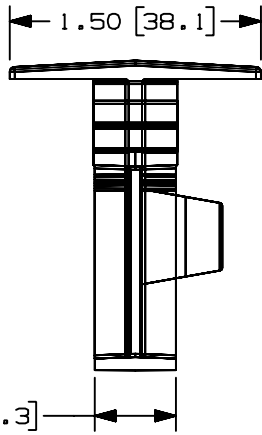
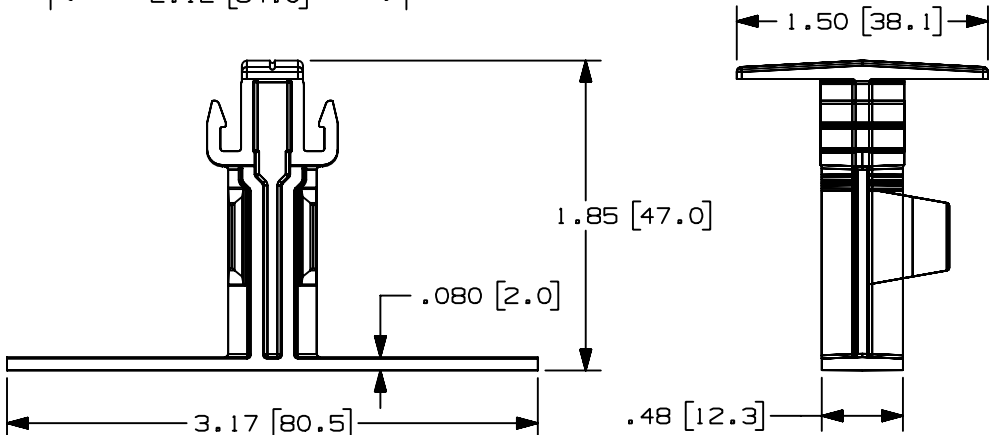


PANDUIT P/N	WEIGHT
T702BC	.61 LBS/10 PCS. (276 G/10 PCS.)



NOTES:

1. SEE CURRENT CATALOG FOR ADDITIONAL PART SUFFIXES TO INDICATE COLOR AND OR PACKAGE QUANTITY.
2. THIS PRODUCT IS INTENDED TO BE USED WITH PANDUIT TYPE T70 RACEWAY.
3. DIMENSIONS IN PARENTHESIS ARE IN METRIC.
4. T702BC CONSISTS OF 2 T70CB FITTINGS AND 1 T70CI FITTING.
5. T70CI IS USED TO JOIN 2 PIECES OF T70 COVER TOGETHER.



CAD FILENAME/LAYERS D35541CU\_T702BC\_C\_01.PRT

PANDUIT CORP. TINLEY PARK, ILLINOIS

TWIN-70 BASE COUPLER (T702BC) CUSTOMER DRAWING



UNLESS OTHERWISE SPECIFIED, DIMENSIONAL TOLERANCES ARE:  
(.X) ± (.XXX) ±  
(.XX) ± ANGLES ±

UNLESS OTHERWISE SPECIFIED, ALL DIMENSIONS ARE GIVEN IN INCHES, THIRD ANGLE PROJECTION.

REV	DATE	BY	CHK	DESCRIPTION	ECN	CHK	CUST	SUP
I	07-26-99	DW	HIW	B. CORRECTED TITLE A. MAT'L WAS ABS/PC AND REV'D WEIGHT	35541-47	HIW	HIW	
R	10-02-96	PM	CEF	RELEASED TO PRODUCTION	35541-47	CEF	CEF	

DRAWN BY PM

MAT'L:

SCALE NONE

DATE 10-02-96

PVC

DRAWING NO.

35541-47

DWG

A

SIZE