



Chipsmall Limited consists of a professional team with an average of over 10 year of expertise in the distribution of electronic components. Based in Hongkong, we have already established firm and mutual-benefit business relationships with customers from,Europe,America and south Asia,supplying obsolete and hard-to-find components to meet their specific needs.

With the principle of “Quality Parts,Customers Priority,Honest Operation,and Considerate Service”,our business mainly focus on the distribution of electronic components. Line cards we deal with include Microchip,ALPS,ROHM,Xilinx,Pulse,ON,Everlight and Freescale. Main products comprise IC,Modules,Potentiometer,IC Socket,Relay,Connector.Our parts cover such applications as commercial,industrial, and automotives areas.

We are looking forward to setting up business relationship with you and hope to provide you with the best service and solution. Let us make a better world for our industry!



Contact us

Tel: +86-755-8981 8866 Fax: +86-755-8427 6832

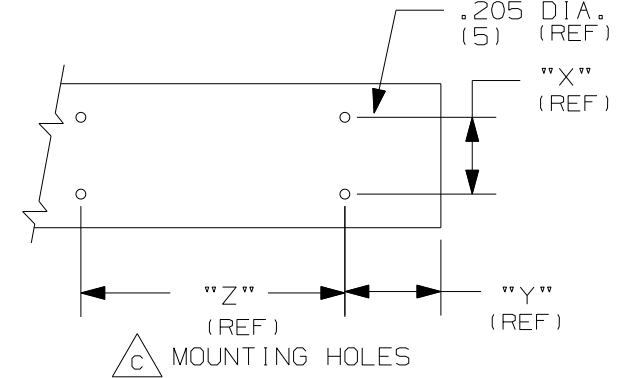
Email & Skype: info@chipsmall.com Web: www.chipsmall.com

Address: A1208, Overseas Decoration Building, #122 Zhenhua RD., Futian, Shenzhen, China



THIS COPY IS PROVIDED ON A RESTRICTED BASIS AND IS NOT TO BE USED IN ANY WAY DETRIMENTAL TO THE INTERESTS OF PANDUIT CORP.

PANDUIT P/N SEE NOTE #1	LENGTH/TOLERANCE	WEIGHT	MOUNTING HOLE DIM'S		
			"X" (80.5)	"Y" (102)	"Z" (33.4)
T702B**8	96.00 IN ±.13 IN (2438 mm ±3.3 mm)	8.0 LB/96 IN. (3636 g/2438 mm)	3.17 (80.5)	4.00 (102)	8.00 (33.4)
T702B**10	120.00 IN ±.13 IN (3048 mm ±3.3 mm)	10.0 LB/120 IN. (4550 g/3048 mm)	3.17 (80.5)	4.00 (102)	8.00 (33.4)
T702B**2	(2000 mm ±3.3 mm)	6.5 LB/78.74 IN. (2970 g/2000 mm)	3.17 (80.5)	3.37 (86)	8.00 (33.4)
T702B**3	(3000 mm ±3.3 mm)	9.8 LB/118.11 IN. (4455 g/3000 mm)	3.17 (80.5)	3.06 (78)	8.00 (33.4)

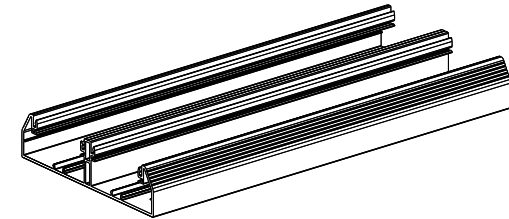
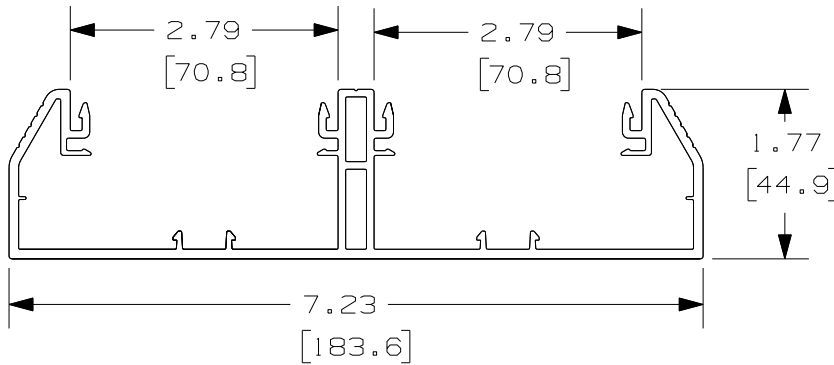


A
A

D NOTES:

1. SEE CURRENT CATALOG FOR ADDITIONAL PART SUFFIXES TO INDICATE COLOR AND OR PACKAGE QUANTITY.
2. THE T702B IS USED WITH THE T70C RACEWAY COVER, 2 FT(610) OF COVER REQUIRED FOR EVERY 1 FT(305) OF BASE)
3. DIMENSIONS IN PARENTHESES ARE IN METRIC.

B



CAD FILENAME/LAYERS D34866DJ_DC_T702BASE_02B

PANDUIT CORP. TINLEY PARK, ILLINOIS

PAN-WAY TWIN-70 RACEWAY SYSTEM
(T702B**8, T702B**10, T702B**2, T702B**3)
CUSTOMER DRAWING

REV	DATE	BY	CHK	DESCRIPTION	ECN	CHK	CUST	SUP
3	10-05-08	BDK	BKR	D. REVISED NOTES	34866-63	RTF	RTF	
2	03-12-99	DW	HIW	C. ADDED MOUNTING HOLE DIMENSIONS AND CHART.	34866-63	HIW	HIW	
1	10-20-98	DW	HIW	B. ADDED NOTE 4. A. ADDED 2M AND 3M LENGTHS AND WEIGHTS.	34866-63	HIW	HIW	
R	02-03-98	DW	HIW	RELEASED TO PRODUCTION.	34866-63	HIW	HIW	

UNLESS OTHERWISE SPECIFIED, DIMENSIONAL TOLERANCES ARE: (.X) ± (.XXX) ± (.XX) ±.03(.8) ANGLES ±		UNLESS OTHERWISE SPECIFIED, ALL DIMENSIONS ARE GIVEN IN INCHES, THIRD ANGLE PROJECTION.	
DRAWN BY DW	MAT'L: PVC	SCALE NONE	
DATE 2-3-98	CHECKED BY HIW	DRAWING NO. 34866-63	DWG A SIZE