



Chipsmall Limited consists of a professional team with an average of over 10 year of expertise in the distribution of electronic components. Based in Hongkong, we have already established firm and mutual-benefit business relationships with customers from,Europe,America and south Asia,supplying obsolete and hard-to-find components to meet their specific needs.

With the principle of "Quality Parts,Customers Priority,Honest Operation,and Considerate Service",our business mainly focus on the distribution of electronic components. Line cards we deal with include Microchip,ALPS,ROHM,Xilinx,Pulse,ON,Everlight and Freescale. Main products comprise IC,Modules,Potentiometer,IC Socket,Relay,Connector.Our parts cover such applications as commercial,industrial, and automotives areas.

We are looking forward to setting up business relationship with you and hope to provide you with the best service and solution. Let us make a better world for our industry!



Contact us

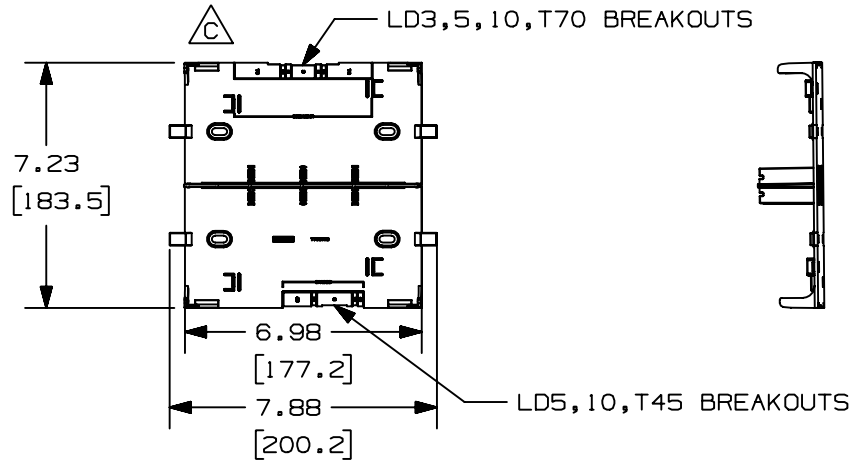
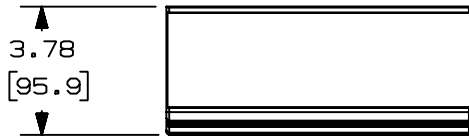
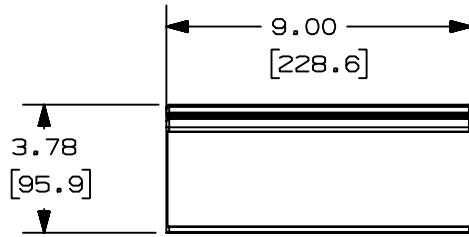
Tel: +86-755-8981 8866 Fax: +86-755-8427 6832

Email & Skype: info@chipsmall.com Web: www.chipsmall.com

Address: A1208, Overseas Decoration Building, #122 Zhenhua RD., Futian, Shenzhen, China



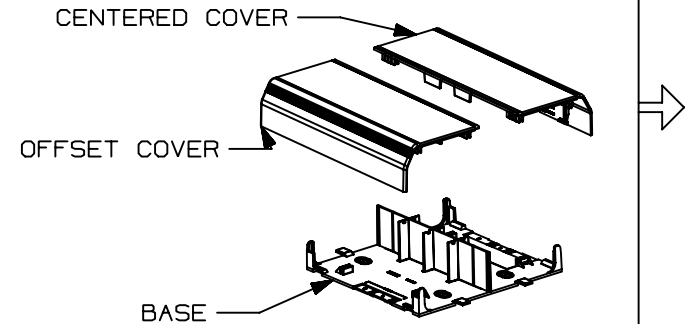
THIS COPY IS PROVIDED ON A RESTRICTED BASIS AND IS NOT TO BE USED IN ANY WAY DETRIMENTAL TO THE INTERESTS OF PANDUIT CORP.



PANDUIT P/N	WEIGHT
T702TRL	8.14 LB/10 PCS (3684 g/10 PCS) \triangle

NOTES:

1. SEE CURRENT CATALOG FOR ADDITIONAL PART SUFFIXES TO INDICATE COLOR AND OR PACKAGE QUANTITY.
2. BREAKOUTS TO ACCOMMODATE ALL LD PROFILE RACEWAYS.
3. FOR DIVIDED TRANSITIONS TO LD2P10 OR T45, USE T702TRI WITH THE T702TRL.
4. COVER IS EXTENDED OUT AND DOWN AROUND SIDES OF BASE WHEN ASSEMBLED.
5. DIMENSIONS IN PARENTHESES ARE IN METRIC.



CAD FILENAME/LAYERS D34866ED_DC_T702TRL_02

PANDUIT CORP. TINLEY PARK, ILLINOIS

TWIN-70 TRANSITION TO LD RACEWAYS (T702TRL) \triangle
CUSTOMER DRAWING

UNLESS OTHERWISE SPECIFIED, DIMENSIONAL TOLERANCES ARE: (.X) ± (.XXX) ± (.XX) ±.03(.8) ANGLES ±		UNLESS OTHERWISE SPECIFIED, ALL DIMENSIONS ARE GIVEN IN INCHES, THIRD ANGLE PROJECTION.	
DRAWN BY DW	MAT'L: PVC	SCALE NONE	DWG A
DATE 04-16-98	\triangle	DRAWING NO. 34866-92	SIZE A
CHECKED BY HIW			

REV	DATE	BY	CHK	DESCRIPTION	ECN	CHK	CUST	SUP
2	01-13-00	JHNU	HIW	C. REVISED GEOMETRY FOR T45 BREAKOUT	34866-92	HIW	HIW	
1	07-29-99	DW	HIW	B. REVISED TITLE NAME. A. REVISED MATERIAL AND WEIGHT.	34866-92	HIW	HIW	
R	04-16-98	DW	HIW	RELEASED TO PRODUCTION.	34866-92	HIW	HIW	