



Chipsmall Limited consists of a professional team with an average of over 10 year of expertise in the distribution of electronic components. Based in Hongkong, we have already established firm and mutual-benefit business relationships with customers from,Europe,America and south Asia,supplying obsolete and hard-to-find components to meet their specific needs.

With the principle of “Quality Parts,Customers Priority,Honest Operation,and Considerate Service”,our business mainly focus on the distribution of electronic components. Line cards we deal with include Microchip,ALPS,ROHM,Xilinx,Pulse,ON,Everlight and Freescale. Main products comprise IC,Modules,Potentiometer,IC Socket,Relay,Connector.Our parts cover such applications as commercial,industrial, and automotives areas.

We are looking forward to setting up business relationship with you and hope to provide you with the best service and solution. Let us make a better world for our industry!



Contact us

Tel: +86-755-8981 8866 Fax: +86-755-8427 6832

Email & Skype: info@chipsmall.com Web: www.chipsmall.com

Address: A1208, Overseas Decoration Building, #122 Zhenhua RD., Futian, Shenzhen, China

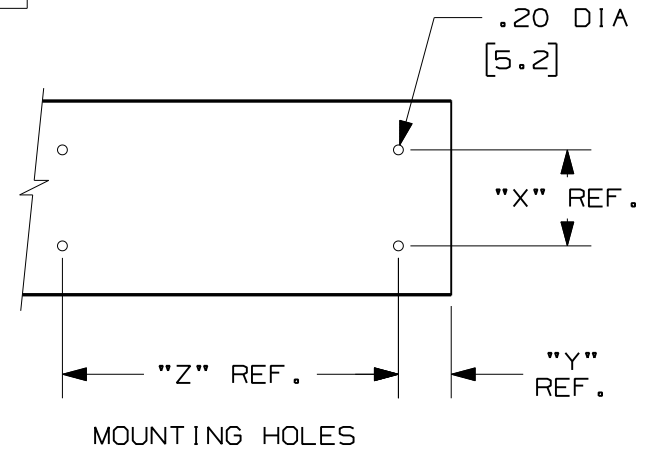
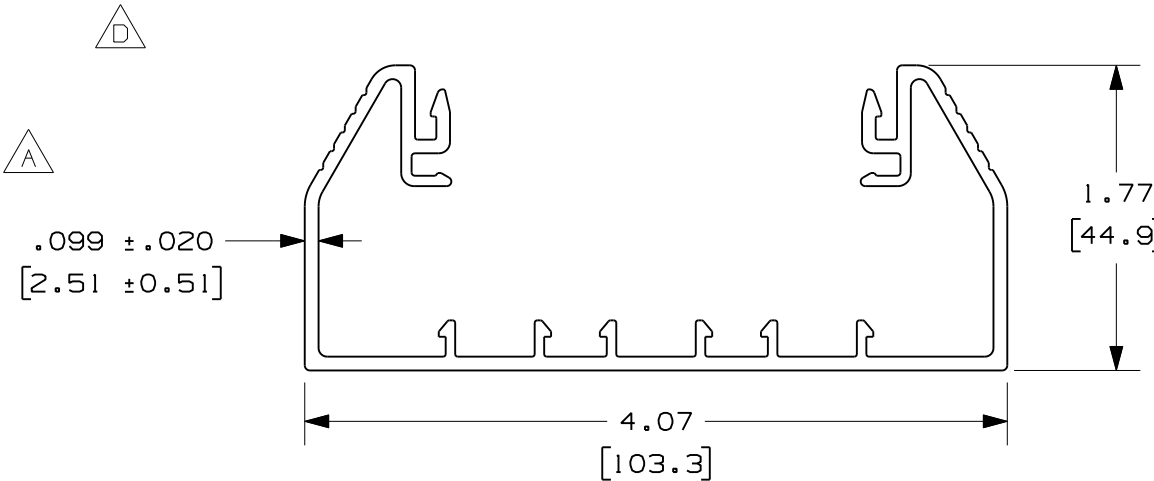


THIS COPY IS PROVIDED ON A RESTRICTED BASIS AND IS NOT TO BE USED IN ANY WAY DETRIMENTAL TO THE INTERESTS OF PANDUIT CORP.

PANDUIT PART NUMBER	LENGTH $\triangle C$	WEIGHT	MOUNTING HOLE DIM.		
			"X"	"Y"	"Z"
$\triangle B$ T70B**6	72.00 IN $\pm .18$ IN (1828mm ± 4.5 mm)	3.13 LB/ 72.00 IN (1419g/1828mm)	1.87 (47.5)	4.00 (101.6)	8.00 (203.2)
T70B**8	96.00 IN $\pm .18$ IN (2438mm ± 4.5 mm)	4.17 LB/ 96.00 IN (1891g/2438mm)	1.87 (47.5)	4.00 (101.6)	8.00 (203.2)
T70B**10	120.00 IN $\pm .18$ IN (3048mm ± 4.5 mm)	5.21 LB/ 120.00 IN (2363g/3048mm)	1.87 (47.5)	4.00 (101.6)	8.00 (203.2)
T70B**2	78.74 IN $\pm .18$ IN (2000mm ± 4.5 mm)	3.42 LB/ 78.74 IN (1551g/2000mm)	1.87 (47.5)	3.37 (85.6)	8.00 (203.2)
$\triangle F$ T70B**3	118.1 IN $\pm .18$ IN (3000mm ± 4.5 mm)	5.13 LB/ 118.1 IN (2327g/3000mm)	1.87 (47.5)	3.37 (85.6)	8.00 (203.2)

$\triangle E$ NOTES:

1. SEE CURRENT CATALOG FOR ADDITIONAL PART SUFFIXES TO INDICATE COLORS AND/OR PACKAGE QUANTITY.
2. THE T70B IS USED WITH THE T70C RACEWAY COVER.
3. DIMENSIONS IN PARENTHESIS ARE IN METRIC.



CAD FILENAME/LAYERS D37753BA_DC_T70B_00D.prt

PANDUIT CORP. TINLEY PARK, ILLINOIS
T70 BASE (T70B)
 CUSTOMER DRAWING

REV	DATE	BY	CHK	DESCRIPTION	ECN	CHK	CUST	SUP
3	10-05-08	BDK	BKR	F. ADDED T70B**3 E. REVISED NOTES	37753-03	RTFI	RTFI	
2	5-18-04	UBN	BKR	D. REMOVED T70B**3 PART NUMBER	37753-03	RGRO	RGRO	
-	-----	---	---	C. REVISED LENGTH TOLERANCE .18 WAS .13	37753-03	----	----	
1	1-21-04	UBN	BKR	B. ADDED PART NUMBER T70B**6 A. REVISED DIMENSION .099 WAS .092	37753-03	RGRO	RGRO	
R	5-29-01	REWE	BKR	RELEASED TO PRODUCTION	37753-03	HIW	HIW	

UNLESS OTHERWISE SPECIFIED, DIMENSIONAL TOLERANCES ARE: (.X) \pm (.XXX) \pm (.XX) \pm .03(.8) ANGLES \pm		UNLESS OTHERWISE SPECIFIED, ALL DIMENSIONS ARE GIVEN IN INCHES, THIRD ANGLE PROJECTION.	
DRAWN BY REWE	MAT'L: PVC	SCALE NONE	
DATE 5-29-01	CHECKED BY BKR	DRAWING NO. 37753-03	DWG A SIZE