



Chipsmall Limited consists of a professional team with an average of over 10 year of expertise in the distribution of electronic components. Based in Hongkong, we have already established firm and mutual-benefit business relationships with customers from,Europe,America and south Asia,supplying obsolete and hard-to-find components to meet their specific needs.

With the principle of "Quality Parts,Customers Priority,Honest Operation,and Considerate Service",our business mainly focus on the distribution of electronic components. Line cards we deal with include Microchip,ALPS,ROHM,Xilinx,Pulse,ON,Everlight and Freescale. Main products comprise IC,Modules,Potentiometer,IC Socket,Relay,Connector.Our parts cover such applications as commercial,industrial, and automotives areas.

We are looking forward to setting up business relationship with you and hope to provide you with the best service and solution. Let us make a better world for our industry!



Contact us

Tel: +86-755-8981 8866 Fax: +86-755-8427 6832

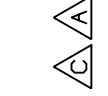
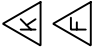
Email & Skype: info@chipsmall.com Web: www.chipsmall.com

Address: A1208, Overseas Decoration Building, #122 Zhenhua RD., Futian, Shenzhen, China

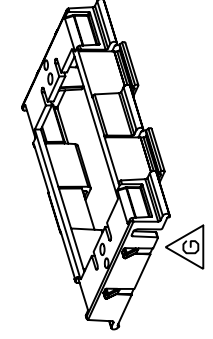
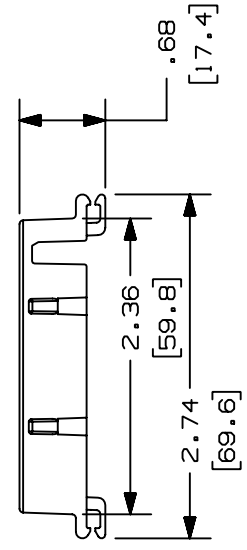
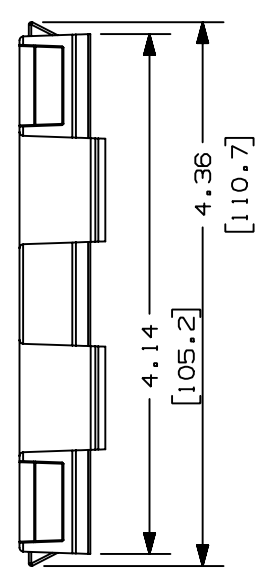
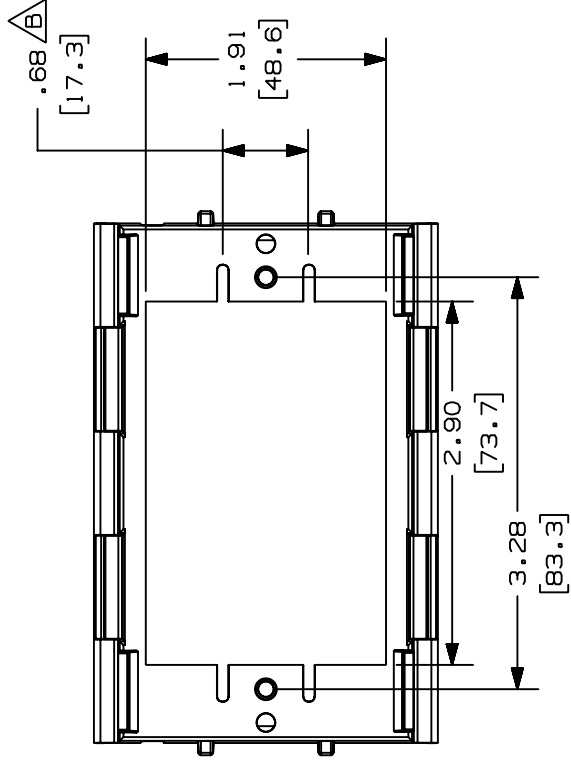


THIS COPY IS PROVIDED ON A RESTRICTED BASIS AND IS NOT TO BE USED IN ANY WAY DETRIMENTAL TO THE INTERESTS OF PANDUIT CORP.

PANDUIT P/N	WEIGHT
T70DB	.05 LB / EACH [24.679 / EACH]



- NOTES:
- SEE CURRENT CATALOG FOR ADDITIONAL PART SUFFIXES TO INDICATE COLOR AND OR PACKAGE QUANTITY.
 - USED TO MOUNT NEMA STANDARD ELECTRICAL RECEPTACLES AND BRAZILIAN POWER RECEPTACLES IN 70mm RACEWAYS.
 - NOMINAL WALL THICKNESS OF THE T70DB IS .100(2.5).
 - DIMENSIONS IN PARENTHESIS ARE IN METRIC.
 - ACCEPTS PANDUIT SNAP-ON STYLE FACEPLATES.



CAD FILENAME/LAYERS D35541CF_DC_T70DB_04B.PRT

PANDUIT		CORP. TINLEY PARK, ILLINOIS	
70mm HANGING DEVICE BRACKET (T70DB)		CUSTOMER DRAWING	
UNLESS OTHERWISE SPECIFIED, DIMENSIONAL TOLERANCES ARE: (.X) ± (.XXX) ±.010(.3) (.XX) ±.03(.8) ANGLES ±		UNLESS OTHERWISE SPECIFIED, ALL DIMENSIONS ARE GIVEN IN INCHES, THIRD ANGLE PROJECTION.	
SCALE	NONE		
DRAWN BY	MATT'L:		
DATE	DW	CEP	CEP
09-20-96	CEP	CEP	CEP
CHECKED BY	CEP	CUST	SUP
ECN	35541-32	35541-32	35541-32
DESCRIPTION	RELEASED TO PRODUCTION	35541-32	35541-32
REV	DATE	BY	CHK
R	09-20-96	DW	CEP
1	02-17-97	DW	CEP
2	05-11-98	DW	HIW
3	12-20-98	M50	HIW
4	03-05-01	REWE	HIW
5	04-08-01	REWE	HIW

DWG NO. 35541-32
SIZE A