



Chipsmall Limited consists of a professional team with an average of over 10 year of expertise in the distribution of electronic components. Based in Hongkong, we have already established firm and mutual-benefit business relationships with customers from,Europe,America and south Asia,supplying obsolete and hard-to-find components to meet their specific needs.

With the principle of “Quality Parts,Customers Priority,Honest Operation,and Considerate Service”,our business mainly focus on the distribution of electronic components. Line cards we deal with include Microchip,ALPS,ROHM,Xilinx,Pulse,ON,Everlight and Freescale. Main products comprise IC,Modules,Potentiometer,IC Socket,Relay,Connector.Our parts cover such applications as commercial,industrial, and automotives areas.

We are looking forward to setting up business relationship with you and hope to provide you with the best service and solution. Let us make a better world for our industry!



Contact us

Tel: +86-755-8981 8866 Fax: +86-755-8427 6832

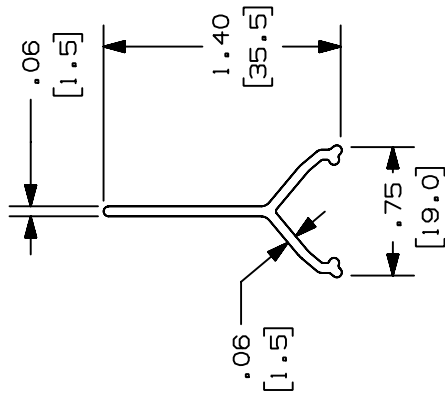
Email & Skype: info@chipsmall.com Web: www.chipsmall.com

Address: A1208, Overseas Decoration Building, #122 Zhenhua RD., Futian, Shenzhen, China



THIS COPY IS PROVIDED ON A RESTRICTED BASIS AND IS NOT TO BE USED IN ANY WAY DETRIMENTAL TO THE INTERESTS OF PANDUIT CORP.

PANDUIT P/N	LENGTH	WEIGHT
T70DW6	72.00 ±.18 (1829 ±4.6)	.44 LB/72 IN (200 G/1829 mm)
T70DW8	96.00 ±.18 (2438 ±4.6)	.59 LB/96 IN (268 G/2438 mm)
T70DW10	120.00 ±.18 (3048 ±4.6)	.73 LB/120 IN (332 G/3048 mm)
T70DW2	78.7 ±.18 (2000 ±4.6)	.48 LB/78.7 IN (218 G/2000 mm)



- NOTES:
- SEE CURRENT CATALOG FOR ADDITIONAL PART SUFFIXES TO INDICATE COLOR AND OR PACKAGE QUANTITY.
 - THE T70DW SNAPS ONTO RAILS IN THE T70 RACEWAY BASE TO CREATE SEPARATE CHANNELS.
 - DIMENSIONS IN PARENTHESIS ARE IN METRIC.

CAD FILENAME/LAYERS		D35541CB_DC-T70DW_02A.PRT												
<h1>PANDUIT</h1> <p>CORP. TINLEY PARK, ILLINOIS</p>														
<h2>T70 RACEWAY DIVIDER WALL</h2> <p>(T70DW6, T70DW8, T70DW10, T70DW2)</p>														
UNLESS OTHERWISE SPECIFIED, DIMENSIONAL TOLERANCES ARE:		UNLESS OTHERWISE SPECIFIED, ALL DIMENSIONS ARE GIVEN IN INCHES, THIRD ANGLE PROJECTION.												
(XX) ± .03(.8) ANGLES ±		SCALE NONE												
DRAWN BY JBA		MATERIAL:												
DATE 09-19-96		PVC												
CHECKED BY CEF		DRAWING NO. 35541-28												
REV		SIZE												
3	05-18-04	JBN	BKR	F. REMOVED T70DW3 PART NUMBER E. REVISED CAD FILE NAME										
2	05-27-98	DW	H1W	D. REVISED WEIGHTS IN CHART C. REVISED PROFILE OF T70DW										
-	-----	--	---	B. REVISED LENGTH TOLERANCE WAS ±.13 IN.(3.3)										
1	07-08-98	DW	H1W	A. ADDED T70DW8, T70DW10, T70DW2, AND T70DW3 TO LENGTH AND WEIGHT										
R	09-19-96	JBA	CEF	RELEASED TO PRODUCTION										
	REV	DATE	BY	CHK	DESCRIPTION	ECN	CHK	CUST	SUP					