



Chipsmall Limited consists of a professional team with an average of over 10 year of expertise in the distribution of electronic components. Based in Hongkong, we have already established firm and mutual-benefit business relationships with customers from,Europe,America and south Asia,supplying obsolete and hard-to-find components to meet their specific needs.

With the principle of “Quality Parts,Customers Priority,Honest Operation,and Considerate Service”,our business mainly focus on the distribution of electronic components. Line cards we deal with include Microchip,ALPS,ROHM,Xilinx,Pulse,ON,Everlight and Freescale. Main products comprise IC,Modules,Potentiometer,IC Socket,Relay,Connector.Our parts cover such applications as commercial,industrial, and automotives areas.

We are looking forward to setting up business relationship with you and hope to provide you with the best service and solution. Let us make a better world for our industry!



Contact us

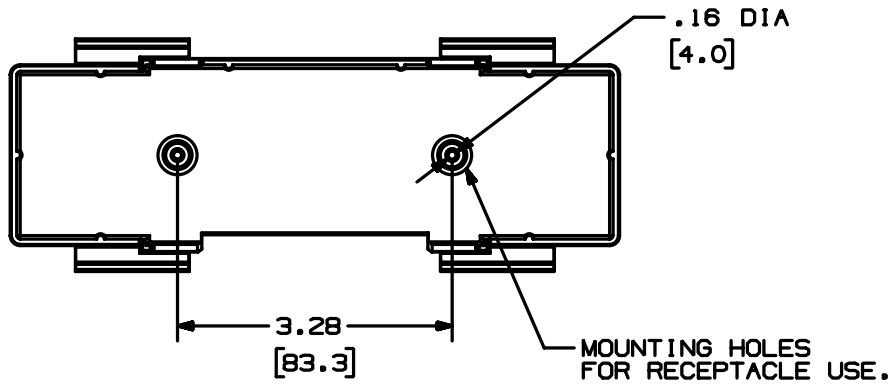
Tel: +86-755-8981 8866 Fax: +86-755-8427 6832

Email & Skype: info@chipsmall.com Web: www.chipsmall.com

Address: A1208, Overseas Decoration Building, #122 Zhenhua RD., Futian, Shenzhen, China



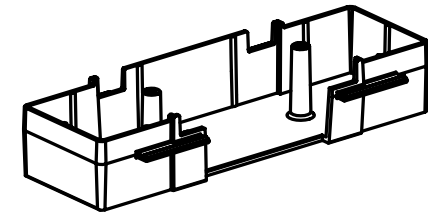
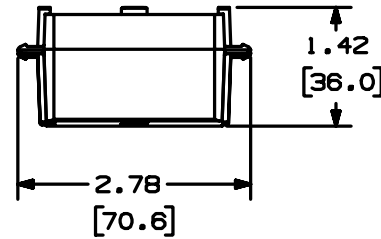
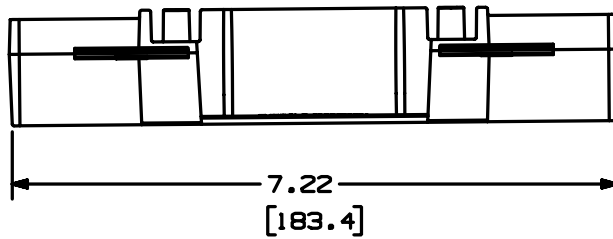
THIS COPY IS PROVIDED ON A RESTRICTED BASIS AND IS NOT TO BE USED IN ANY WAY DETRIMENTAL TO THE INTERESTS OF PANDUIT CORP.



PANDUIT P/N	WEIGHT
T70HB3GFCI	.16 LB/PC (73.5 g/PC)

NOTES:

1. SEE CURRENT CATALOG FOR ADDITIONAL PART SUFFIXES TO INDICATE COLOR AND/OR PACKAGE QUANTITY.
2. THE T70HB3GFCI ALLOWS WIRE PASSAGE FROM THE OPEN SIDE OF THE BOX TO THE POWER SIDE OF THE T70B RACEWAY SYSTEM.
3. THE T70HB3GFCI ACCEPTS SNAP-ON RECEPTACLE FACEPLATES.
4. DIMENSIONS IN PARENTHESIS ARE IN METRIC.



CAD FILENAME/LAYERS D38560BA_DC_T70HB3GFCI_01A.prt

PANDUIT CORP. TINLEY PARK, ILLINOIS

**T-70 GFCI POWER BOX
(T70HB3GFCI)
CUSTOMER DRAWING**

UNLESS OTHERWISE SPECIFIED,
DIMENSIONAL TOLERANCES ARE:
(.X) ± (.XXX) ± .010 (.3)
(.XX) ± .03 (.8) ANGLES ±

UNLESS OTHERWISE SPECIFIED,
ALL DIMENSIONS ARE GIVEN
IN INCHES, THIRD ANGLE PROJECTION.

DRAWN BY **JBN**

MAT'L:

SCALE **NONE**

DATE **4-25-03**

PVC

DRAWING NO. **38560-02**

DWG **A**

REV	DATE	BY	CHK	DESCRIPTION	ECN	CHK	CUST	SUP
R	4-25-03	JBN	RMHI	RELEASED TO PRODUCTION	38560-02	RGRO	RGRO	

CHECKED BY **RMHI**

SIZE