



Chipsmall Limited consists of a professional team with an average of over 10 year of expertise in the distribution of electronic components. Based in Hongkong, we have already established firm and mutual-benefit business relationships with customers from,Europe,America and south Asia,supplying obsolete and hard-to-find components to meet their specific needs.

With the principle of “Quality Parts,Customers Priority,Honest Operation,and Considerate Service”,our business mainly focus on the distribution of electronic components. Line cards we deal with include Microchip,ALPS,ROHM,Xilinx,Pulse,ON,Everlight and Freescale. Main products comprise IC,Modules,Potentiometer,IC Socket,Relay,Connector.Our parts cover such applications as commercial,industrial, and automotives areas.

We are looking forward to setting up business relationship with you and hope to provide you with the best service and solution. Let us make a better world for our industry!



Contact us

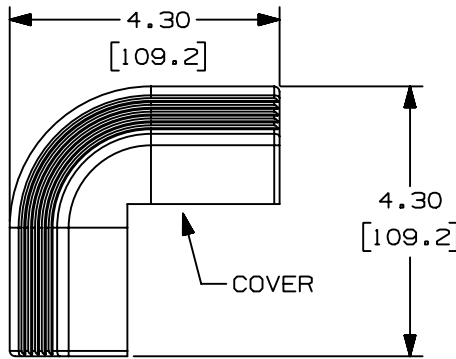
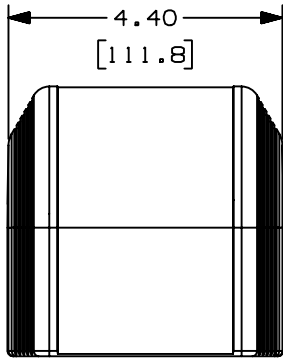
Tel: +86-755-8981 8866 Fax: +86-755-8427 6832

Email & Skype: info@chipsmall.com Web: www.chipsmall.com

Address: A1208, Overseas Decoration Building, #122 Zhenhua RD., Futian, Shenzhen, China



THIS COPY IS PROVIDED ON A RESTRICTED BASIS AND IS NOT TO BE USED IN ANY WAY DETRIMENTAL TO THE INTERESTS OF PANDUIT CORP.

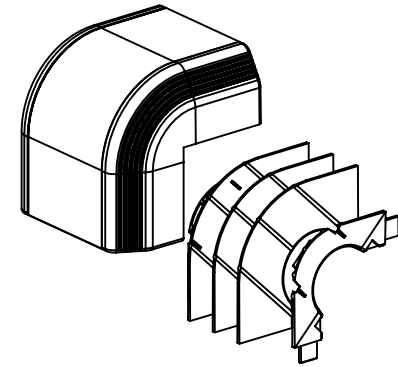
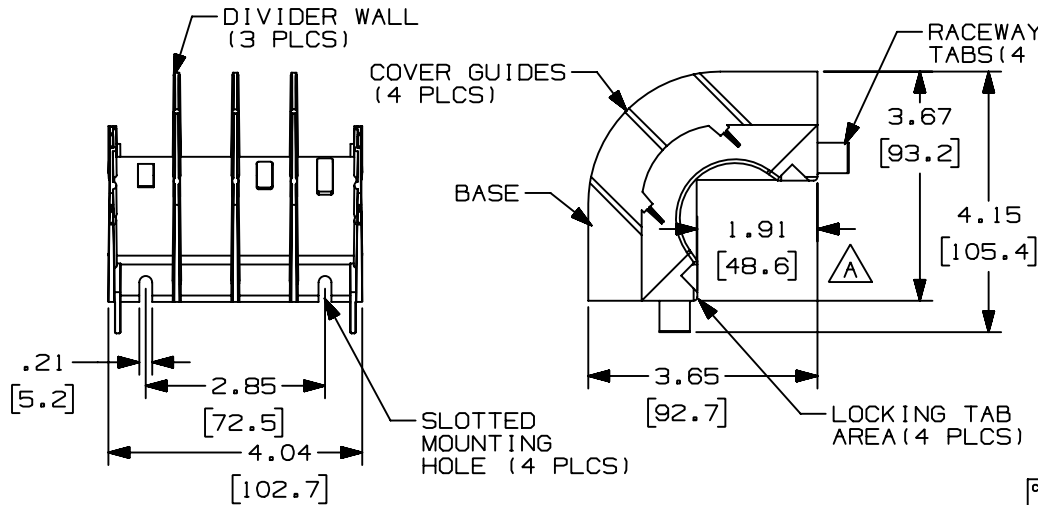


PANDUIT PART NO.	WEIGHT
T700C	4.5 LB/10 PCS (2044 g/10 PCS)



NOTES:

1. SEE CURRENT CATALOG FOR VARIOUS APPLICATIONS WITH THIS WIRING SYSTEM.
2. THIS PRODUCT IS INTENDED TO BE USED WITH PANDUIT TYPE T-70 RACEWAY.
3. NOMINAL WALL THICKNESS FOR BASE AND COVER IS .118 (3.0).
4. DIMENSIONS IN PARENTHESES ARE IN METRIC.



CAD FILENAME/LAYERS D35541CC_T700C_C_02.PRT

PANDUIT CORP. TINLEY PARK, ILLINOIS

T-70 OUTSIDE CORNER (T700C)
CUSTOMER DRAWING

UNLESS OTHERWISE SPECIFIED,
DIMENSIONAL TOLERANCES ARE:
(.X) ± (.XXX) ± .010(.3)
(.XX) ± .03(.8) ANGLES ±

UNLESS OTHERWISE SPECIFIED,
ALL DIMENSIONS ARE GIVEN
IN INCHES, THIRD ANGLE PROJECTION.

REV	DATE	BY	CHK	DESCRIPTION	ECN	CHK	CUST	SUP
2	06-17-99	DW	HIW	D. DWG WAS FROM TWO SHEETS; E. REV'D WEIGHT B. REV'D TITLE NAME; C. MAT'L WAS ABS/PC	35541-29	HIW	HIW	
1	04-11-97	JBA	CEF	A. ADDED DIMENSION 1.91 (48.6)	35541-29	CEF	CEF	
R	09-18-96	DW	CEF	RELEASED TO PRODUCTION	35541-29	CEF		

DRAWN BY DW	MAT'L: PVC
DATE 09-18-96	
CHECKED BY CEF	

SCALE NONE	DWG NO.
	35541-29
	A SIZE