



Chipsmall Limited consists of a professional team with an average of over 10 year of expertise in the distribution of electronic components. Based in Hongkong, we have already established firm and mutual-benefit business relationships with customers from,Europe,America and south Asia,supplying obsolete and hard-to-find components to meet their specific needs.

With the principle of “Quality Parts,Customers Priority,Honest Operation,and Considerate Service”,our business mainly focus on the distribution of electronic components. Line cards we deal with include Microchip,ALPS,ROHM,Xilinx,Pulse,ON,Everlight and Freescale. Main products comprise IC,Modules,Potentiometer,IC Socket,Relay,Connector.Our parts cover such applications as commercial,industrial, and automotives areas.

We are looking forward to setting up business relationship with you and hope to provide you with the best service and solution. Let us make a better world for our industry!



Contact us

Tel: +86-755-8981 8866 Fax: +86-755-8427 6832

Email & Skype: info@chipsmall.com Web: www.chipsmall.com

Address: A1208, Overseas Decoration Building, #122 Zhenhua RD., Futian, Shenzhen, China



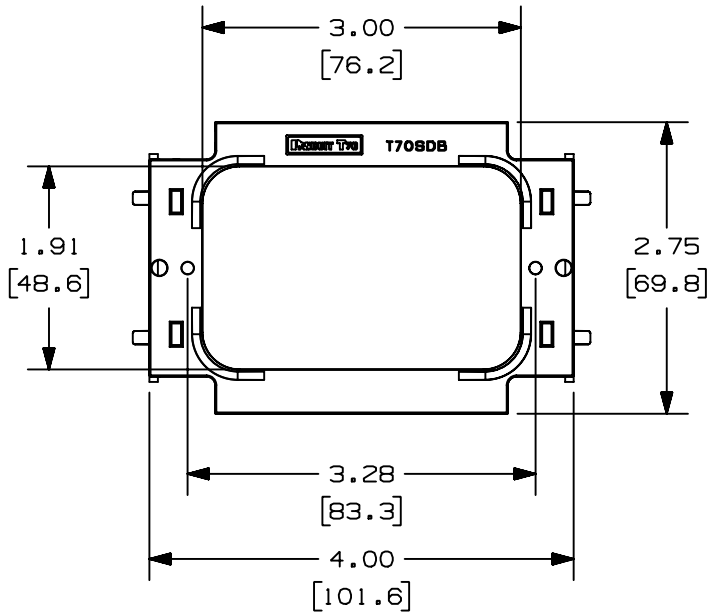
THIS COPY IS PROVIDED ON A RESTRICTED BASIS AND IS NOT TO BE USED IN ANY WAY DETRIMENTAL TO THE INTERESTS OF PANDUIT CORP.

PANDUIT P/N	WEIGHT
T70SDB	.32 LB/10 PCS (147 g/10 PCS)

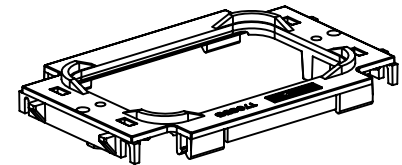


NOTES:

1. SEE CURRENT CATALOG FOR ADDITIONAL PART SUFFIXES TO INDICATE COLOR AND OR PACKAGE QUANTITY.
2. THIS PART IS DESIGNED FOR USE WITH T70, TG, CORNER AND PAN-POLE RACEWAYS.
3. ACCEPTS PANDUIT SNAP-ON AND SCREW-ON STYLE FACEPLATES.
4. DIMENSIONS IN PARENTHESES ARE IN METRIC.



LATCHES FOR ATTACHING TO RACEWAY BASE



CAD FILENAME/LAYERS D38697BA_DC_T70SDB_05A.prt

PANDUIT CORP. TINLEY PARK, ILLINOIS
SNAP-ON DEVICE BRACKET (T70SDB)
 CUSTOMER DRAWING

UNLESS OTHERWISE SPECIFIED,
 DIMENSIONAL TOLERANCES ARE:
 (.X) ± (.XXX) ±
 (.XX) ±.03 (.8) ANGLES ±

UNLESS OTHERWISE SPECIFIED,
 ALL DIMENSIONS ARE GIVEN
 IN INCHES, THIRD ANGLE PROJECTION.

REV	DATE	BY	CHK	DESCRIPTION	ECN	CHK	CUST	SUP
I	01-28-04	JBN	RMHI	A. REVISED GEOMETRY / PART WEIGHT	38697-03	RGRO	RGRO	
R	11-12-03	JHEP	RMHI	RELEASED TO PRODUCTION	38697-03	RGRO	RGRO	

DRAWN BY
JHEP
 DATE
11-12-03
 CHECKED BY
RMHI

MAT'L:
PVC

SCALE
NONE

DRAWING NO.
38697-03

DWG
A
SIZE