



Chipsmall Limited consists of a professional team with an average of over 10 year of expertise in the distribution of electronic components. Based in Hongkong, we have already established firm and mutual-benefit business relationships with customers from,Europe,America and south Asia,supplying obsolete and hard-to-find components to meet their specific needs.

With the principle of “Quality Parts,Customers Priority,Honest Operation,and Considerate Service”,our business mainly focus on the distribution of electronic components. Line cards we deal with include Microchip,ALPS,ROHM,Xilinx,Pulse,ON,Everlight and Freescale. Main products comprise IC,Modules,Potentiometer,IC Socket,Relay,Connector.Our parts cover such applications as commercial,industrial, and automotives areas.

We are looking forward to setting up business relationship with you and hope to provide you with the best service and solution. Let us make a better world for our industry!



Contact us

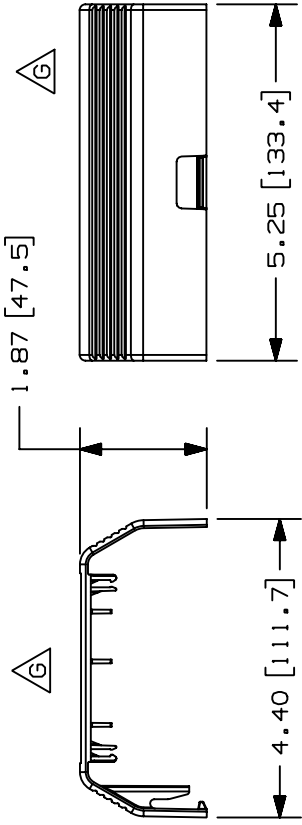
Tel: +86-755-8981 8866 Fax: +86-755-8427 6832

Email & Skype: info@chipsmall.com Web: www.chipsmall.com

Address: A1208, Overseas Decoration Building, #122 Zhenhua RD., Futian, Shenzhen, China



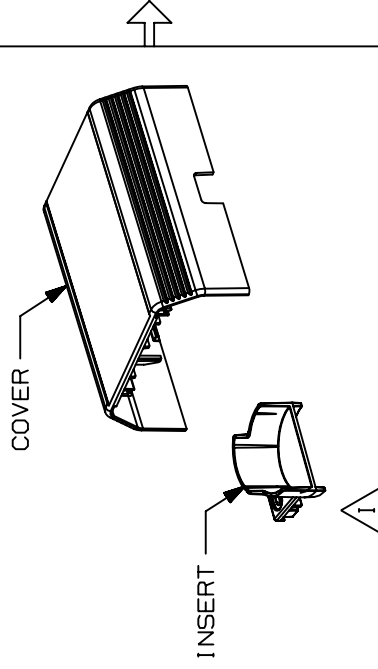
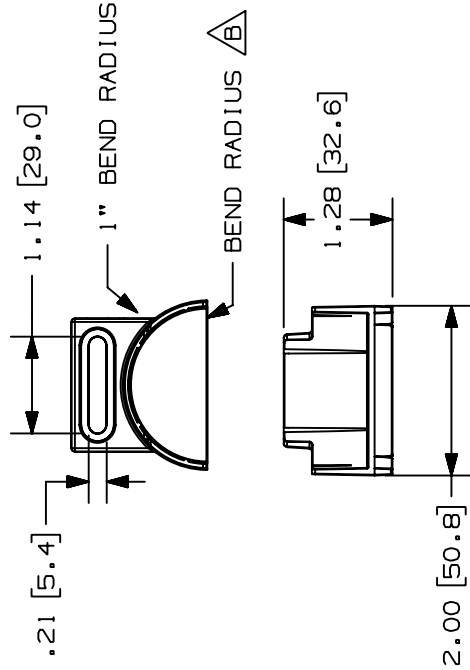
THIS COPY IS PROVIDED ON A RESTRICTED BASIS AND IS NOT TO BE USED IN ANY WAY DETRIMENTAL TO THE INTERESTS OF PANDUIT CORP.



PANDUIT P/N	WEIGHT
T70TRC	.179 LBS/PC (107.16 g/PC)



- NOTES:
- SEE CURRENT CATALOG FOR ADDITIONAL PART SUFFIXES TO INDICATE COLOR AND OR PACKAGE QUANTITY.
 - THIS PRODUCT IS INTENDED TO BE USED WITH PANDUIT TYPE LDS, LDP, LD, PD, T70, AND T45 RACEWAYS.
 - DIMENSIONS IN PARENTHESES ARE IN METRIC.



CAD FILENAME/LAYERS D35541CX_DC_T70TRC_04A.prt

PANDUIT		CORP. TINLEY PARK, ILLINOIS					
T-70 TRANSITION COVER WITH BEND RADIUS (T70TRC)		CUSTOMER DRAWING					
UNLESS OTHERWISE SPECIFIED, DIMENSIONAL TOLERANCES ARE: (.X) ± (.XXX) ± (.XX) ± (.031.8) ANGLES ±		UNLESS OTHERWISE SPECIFIED, ALL DIMENSIONS ARE GIVEN IN INCHES, THIRD ANGLE PROJECTION.					
DRAWN BY	PM	MAT'L:	NONE				
DATE	10-07-96	DRAWING NO.	35541-50				
CHECKED BY	CEF	SCALE	A				
REV	DATE	BY	CHK	ECN	CHK	CUST	SUP
5	05-18-04	JBN	BKR	-----	-----	-----	-----
K. REVISED WEIGHT PER PC: WAS PER 10 PCS		J. REVISED NOTE #2		35541-50	RGRO	RGRO	RGRO
I. REVISED CAD FILE NAME		H. ADDED T70 AND T45 TO NOTE 2		35541-50	H1W	H1W	H1W
G. REVISED GEOMETRY FOR T45 BREAKOUT		F. 1.79 LB WAS 1.63LB, 107166 WAS 9742G		-----	-----	-----	-----
3	12-17-98	JHNU	H1W	35541-50	H1W	H1W	H1W
E. PVC WAS ABS/POLYCARBONATE		D. T-70 WAS T70		35541-50	CEF	CEF	CEF
2	06-22-98	DW	CEF	35541-50	CEF	CEF	CEF
C. TITLE WAS SINGLE 70 TRANSITION		B. ADDED TRANSITION BEND RADIUS		35541-50	CEF	CEF	CEF
1	10-18-96	PM	CEF	35541-50	CEF	CEF	CEF
A. REVISED BREAKOUT GEOMETRY		RELEASED TO PRODUCTION		35541-50	CEF	CEF	CEF
R	10-07-96	PM	CEF	35541-50	CEF	CEF	CEF
REV	DATE	BY	CHK	DESCRIPTION	ECN	CHK	SUP