



Chipsmall Limited consists of a professional team with an average of over 10 year of expertise in the distribution of electronic components. Based in Hongkong, we have already established firm and mutual-benefit business relationships with customers from,Europe,America and south Asia,supplying obsolete and hard-to-find components to meet their specific needs.

With the principle of "Quality Parts,Customers Priority,Honest Operation,and Considerate Service",our business mainly focus on the distribution of electronic components. Line cards we deal with include Microchip,ALPS,ROHM,Xilinx,Pulse,ON,Everlight and Freescale. Main products comprise IC,Modules,Potentiometer,IC Socket,Relay,Connector.Our parts cover such applications as commercial,industrial, and automotives areas.

We are looking forward to setting up business relationship with you and hope to provide you with the best service and solution. Let us make a better world for our industry!



Contact us

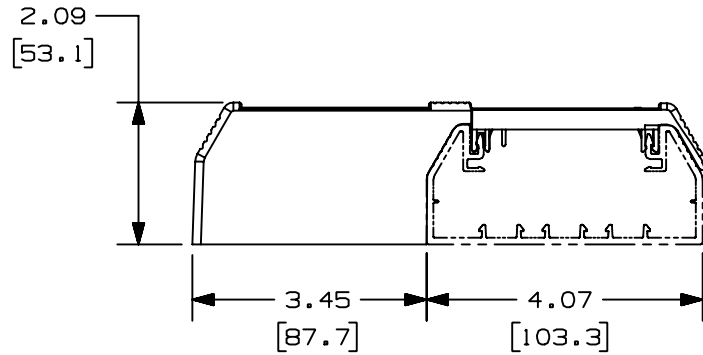
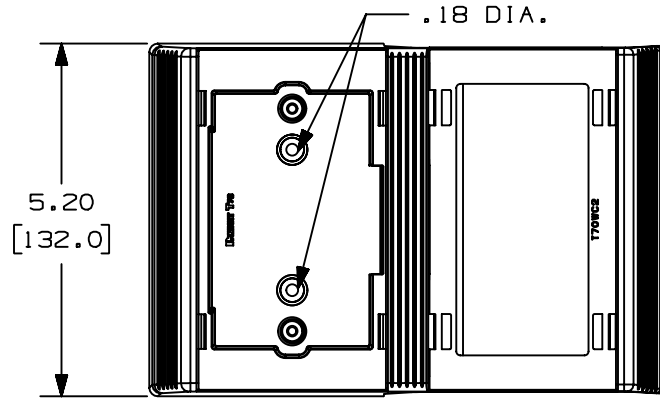
Tel: +86-755-8981 8866 Fax: +86-755-8427 6832

Email & Skype: info@chipsmall.com Web: www.chipsmall.com

Address: A1208, Overseas Decoration Building, #122 Zhenhua RD., Futian, Shenzhen, China

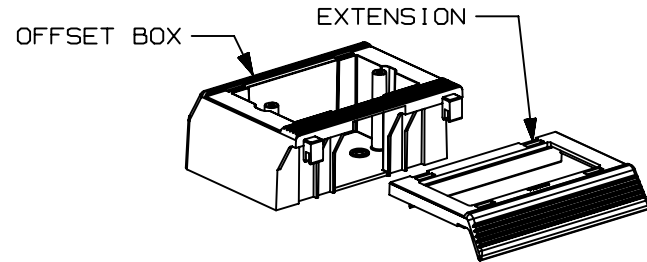




THIS COPY IS PROVIDED ON A RESTRICTED BASIS AND IS NOT TO BE USED IN ANY WAY DETRIMENTAL TO THE INTERESTS OF PANDUIT CORP.



PANDUIT P/N	WEIGHT
T70WC2	3.9 LB/10 PCS (1780 g/10 PCS)

- NOTES:
- SEE CURRENT CATALOG FOR ADDITIONAL PART SUFFIXES TO INDICATE COLOR AND OR PACKAGE QUANTITY.
 - ACCEPTS PANDUIT SNAP-ON TYPE FACEPLATES.
 - DIMENSIONS IN PARENTHESIS ARE IN METRIC.



 CAD FILENAME/LAYERS D36022CZ_DC_T70WC2_02.PRT	
PANDUIT CORP. TINLEY PARK, ILLINOIS T70 WORKSTATION OUTLET CENTER FOR SNAP-ON FACEPLATES (T70WC2) CUSTOMER DRAWING	
UNLESS OTHERWISE SPECIFIED, DIMENSIONAL TOLERANCES ARE: (.X) ± (.XXX) ± (.XX) ±.03 (.8) ANGLES ±	UNLESS OTHERWISE SPECIFIED, ALL DIMENSIONS ARE GIVEN IN INCHES, THIRD ANGLE PROJECTION.
DRAWN BY DW DATE 04-16-98 CHECKED BY HIW	MAT'L: PVC 
SCALE NONE DRAWING NO. 36022-24	DWG SIZE A

REV	DATE	BY	CHK	DESCRIPTION	ECN	CHK	CUST	SUP
2	03-18-04	JHEP	RGRO	B. REVISED TITLE DESCRIPTION	36022-24	RGRO	RGRO	
1	03-17-99	DW	HIW	A. MATERIAL WAS ABS/PC.	36022-24	HIW	HIW	
R	04-16-98	DW	HIW	RELEASED TO PRODUCTION	36022-24	HIW	HIW	