



Chipsmall Limited consists of a professional team with an average of over 10 year of expertise in the distribution of electronic components. Based in Hongkong, we have already established firm and mutual-benefit business relationships with customers from,Europe,America and south Asia,supplying obsolete and hard-to-find components to meet their specific needs.

With the principle of “Quality Parts,Customers Priority,Honest Operation,and Considerate Service”,our business mainly focus on the distribution of electronic components. Line cards we deal with include Microchip,ALPS,ROHM,Xilinx,Pulse,ON,Everlight and Freescale. Main products comprise IC,Modules,Potentiometer,IC Socket,Relay,Connector.Our parts cover such applications as commercial,industrial, and automotives areas.

We are looking forward to setting up business relationship with you and hope to provide you with the best service and solution. Let us make a better world for our industry!



Contact us

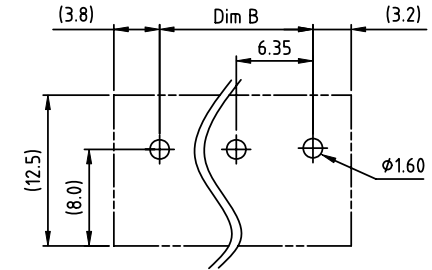
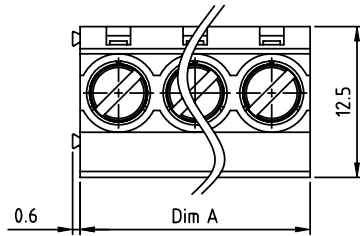
Tel: +86-755-8981 8866 Fax: +86-755-8427 6832

Email & Skype: info@chipsmall.com Web: www.chipsmall.com

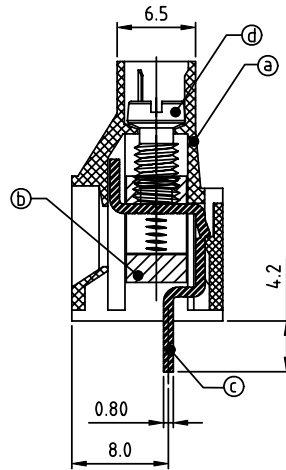
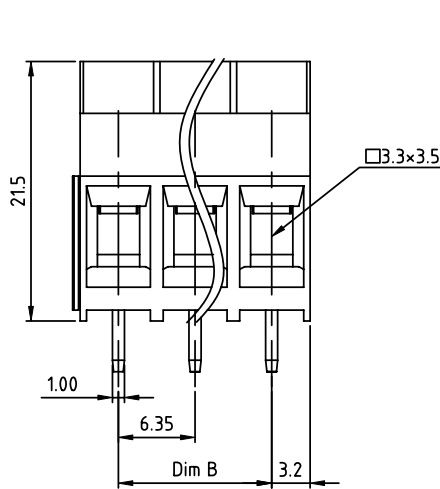
Address: A1208, Overseas Decoration Building, #122 Zhenhua RD., Futian, Shenzhen, China



PRODUCT NUMBER	PITCH
T7xx03x000J0G	6.35 mm



RECOMMENDED P.C.B LAYOUT
TOP VIEW



- Material:
- Item (a) Terminal housing : Thermoplastic (UL 94V-0)
 - Item (b) Clamp : Brass , Ni plated
 - Item (c) Solder pin : Copper , Tin plated
 - Item (d) Terminal screw: Steel Zinc plating"-slot type
- Electrical cULus TUV
- Voltage rating: 300VAC 450VAC
 - Current rating: 30A 41A
 - Wire range: 0.20-6.0mm²
 - Solid wire(AWG): 10-24
 - Stranded wire(AWG): 10-24
 - Torque: 6.9 Lb-in 0.85 N.m
 - Screw: M3.5
 - Wire strip length: 6-7mm
 - Withstanding Voltage: 1.6KV 2.5KV
 - Operating temperature: -40°C to +115°C
 - Soldering temperature: 260°C±5°C/5 Sec
 - Safety Approval:

PART NO.: T7 xx 0 3 x 0 00J0 G

N = Number of poles
Dim A=Nx6.35
Dim B=(N-1)x6.35

Poles	Tolerance
2-6p	±0.15
7-11p	±0.25
12-16p	±0.35

End Stackable	No. of poles	Body Color	RoHS compliant
0	2	Black (RAL9005)	(lead<4%)
02	2 poles	Red (RAL3001/D)	In copper Alloy
03	3 poles	Orange(RAL2011/P)	
4	4 poles	Yellow(RAL1018/A)	
5	5 poles	Green(RAL6018/T)	
6	6 poles	Blue (RAL5015/A)	
8	8 poles	Grey(RAL7035/D)	
9	9 poles	White(RAL1102)	
C	16 poles	Green(RAL6018/U)	

mat'l. code		surface ASME Y14.5	tolerance ASME Y14.5	projection 	product family TERMINAL BLOCK
ltr	ecn no	dr	date	tolerances unless otherwise specified	title TERMINAL BLOCK
B	T-19284	HF	081414	angles X°±1'	
				scale MM	product family TERMINAL BLOCK
				dr	product family RISING CLAMP,180D WIRE INLET,END STACKABLE
				enr	product family sheet 1 of 1 size
				chr	product family T7xx03x000J0G A4
				appd	product family CUSTOMER Drawing
sheet index	revision	B	1		