



Chipsmall Limited consists of a professional team with an average of over 10 year of expertise in the distribution of electronic components. Based in Hongkong, we have already established firm and mutual-benefit business relationships with customers from,Europe,America and south Asia,supplying obsolete and hard-to-find components to meet their specific needs.

With the principle of “Quality Parts,Customers Priority,Honest Operation,and Considerate Service”,our business mainly focus on the distribution of electronic components. Line cards we deal with include Microchip,ALPS,ROHM,Xilinx,Pulse,ON,Everlight and Freescale. Main products comprise IC,Modules,Potentiometer,IC Socket,Relay,Connector.Our parts cover such applications as commercial,industrial, and automotives areas.

We are looking forward to setting up business relationship with you and hope to provide you with the best service and solution. Let us make a better world for our industry!



Contact us

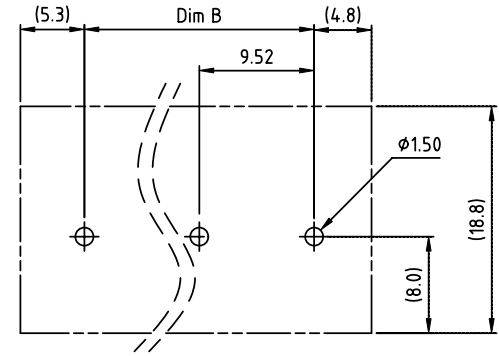
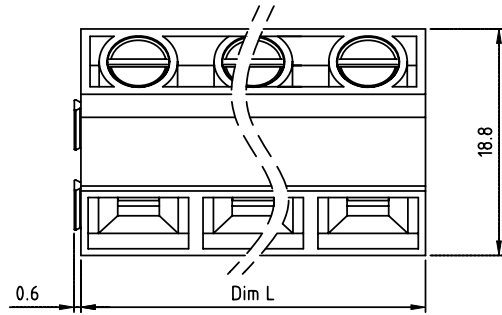
Tel: +86-755-8981 8866 Fax: +86-755-8427 6832

Email & Skype: info@chipsmall.com Web: www.chipsmall.com

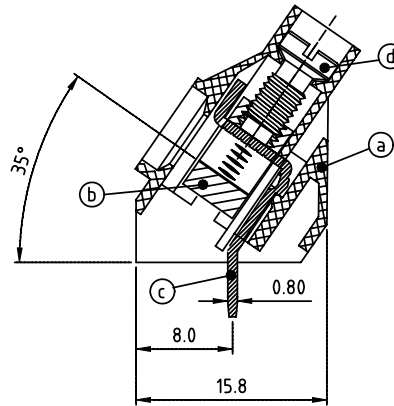
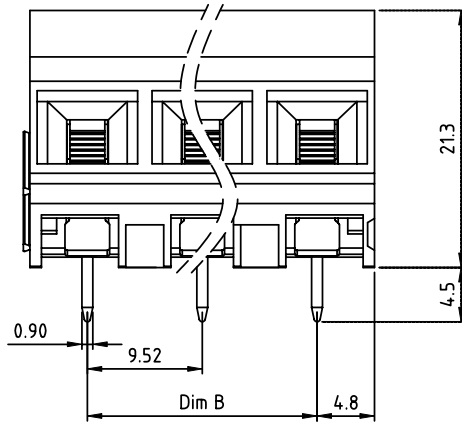
Address: A1208, Overseas Decoration Building, #122 Zhenhua RD., Futian, Shenzhen, China



PRODUCT NUMBER	PITCH
T7xx23x100J0G	9.52 mm



RECOMMENDED P.C.B LAYOUT
TOP VIEW



Material:

- Item (a) Terminal housing: Thermoplastic (UL 94V-0)
- Item (d) Clamp: Brass, Ni plated
- Item (c) Solder pin: Copper, Tin plated
- Item (b) Terminal screw: Steel Zinc plating"-slot type

- | | | |
|--------------------------|-----------------|-------------------------|
| Electrical | cULus | TUV |
| ● Voltage rating: | 300VAC | 750VAC |
| ● Current rating: | 30A | 41A |
| ● Wire range: | | 0.20-6.0mm ² |
| ● Solid wire(AWG): | 10-24 | |
| ● Stranded wire(AWG): | 10-24 | |
| ● Torque: | 6.9 Lb-in | 0.85 N.m |
| ● Screw: | M3.5 | |
| ● Wire strip length: | 6-7mm | |
| ● Withstanding Voltage: | 1.6KV | 3.0KV |
| ● Operating temperature: | -40°C to +115°C | |
| ● Soldering temperature: | 260°C±5°C/5 Sec | |
| ● Safety Approval: | | |

PART NO.: T7 xx 2 3 x 1 00J0 G

N = Number of poles
Dim L=Nx9.52
Dim B=(N-1)x9.52

Poles	Tolerance
2-6p	±0.20
7-11p	±0.30
12-16p	±0.40

End Stackable	0	Black (RAL9005)	RoHS compliant
No. of poles	2	Red (RAL3001/D)	(lead<4%)
02 2 poles	3	Orange(RAL2011/P)	In copper Alloy
03 3 poles	4	Yellow(RAL1018/A)	
...	5	Green(RAL6018/T)	
16 16 poles	6	Blue (RAL5015/A)	
	8	Grey(RAL7035/D)	
	9	White(RAL1102)	
	C	Green(RAL6018/U)	

mat'l. code		surface ASME Y14.5	tolerance ASME Y14.5	projection	product family
ltr	ecn no	dr	date		TERMINAL BLOCK
tolerances unless otherwise specified				MM	title
angles				scale	TERMINAL BLOCK
X°±1'					RISING CLAMP,35D WIRE INLET,END STACKABLE
dr	ENGR	chr	appd		dwg no
	EVIN ZHONG		SHI JUN		sheet 1 of 1
	EVIN ZHONG				size
	HANKE FENG				A4
sheet index	revision				type
	sheet				CUSTOMER Drawing