



Chipsmall Limited consists of a professional team with an average of over 10 year of expertise in the distribution of electronic components. Based in Hongkong, we have already established firm and mutual-benefit business relationships with customers from,Europe,America and south Asia,supplying obsolete and hard-to-find components to meet their specific needs.

With the principle of “Quality Parts,Customers Priority,Honest Operation,and Considerate Service”,our business mainly focus on the distribution of electronic components. Line cards we deal with include Microchip,ALPS,ROHM,Xilinx,Pulse,ON,Everlight and Freescale. Main products comprise IC,Modules,Potentiometer,IC Socket,Relay,Connector.Our parts cover such applications as commercial,industrial, and automotives areas.

We are looking forward to setting up business relationship with you and hope to provide you with the best service and solution. Let us make a better world for our industry!



## Contact us

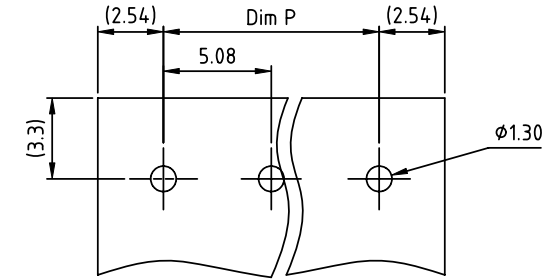
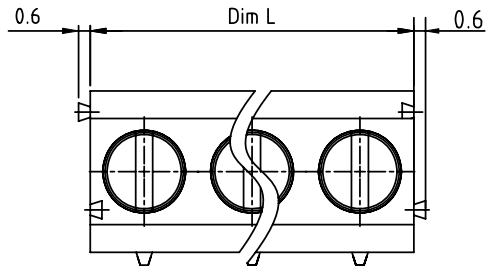
Tel: +86-755-8981 8866 Fax: +86-755-8427 6832

Email & Skype: info@chipsmall.com Web: www.chipsmall.com

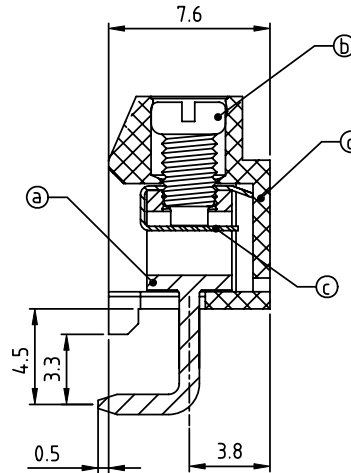
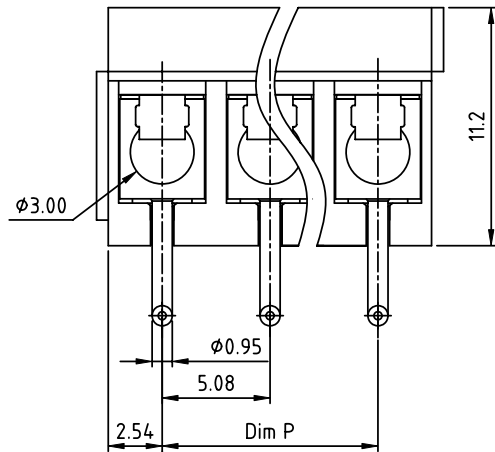
Address: A1208, Overseas Decoration Building, #122 Zhenhua RD., Futian, Shenzhen, China



PRODUCT NUMBER	PITCH
T9xx21x000J0G	5.08 mm



RECOMMENDED P.C.B LAYOUT  
TOP VIEW



- Material:
- Item a Terminal body(metal housing): Brass(CuZn),Tin plated
  - Item b Terminal screw: Steel Zinc plating "-" slot type
  - Item c Wire guard: Stainless steel
  - Item d Insulator (housing): Thermoplastic (UL94V-0)

- Electrical:
- Voltage rating: 300V
  - Current rating: 15A
  - Wire range:
  - Solid wire(AWG): 14-24
  - Stranded wire(AWG): 14-24
  - Toque(Lb-In): 3.2
  - Screw: M2.6
  - Wire strip length: 5-6mm
  - Withstanding Voltage: 1.6KV
  - Operating temperature: -40°C to +115°C
  - Soldering temperature: 260°C ±5°C/5 Sec
  - Safety Approval: US

N = Number of poles  
Dim L=Nx5.08  
Dim P=(N-1)x5.08

Poles	Tolerance
2-6p	±0.15
7-12p	±0.30
13-18p	±0.35
19-24p	±0.40

PART NO.: T9 xx 21 x 0 00J0 G

- |               |     |            |                    |                 |           |
|---------------|-----|------------|--------------------|-----------------|-----------|
| End stackable | 0   | Body Color | Black (RAL9005)    | RoHS compliant  | (lead<4%) |
| No. of poles  | 2   |            | Red (RAL3001/D)    | In copper Alloy |           |
| 02 2 poles    | 3   |            | Orange(RAL2011/P)  |                 |           |
| 03 3 poles    | 4   |            | Yellow(RAL1018/A)  |                 |           |
| ...           | ... |            | 5 Green(RAL6018/T) |                 |           |
| 24 24 poles   | 6   |            | Blue (RAL5015/A)   |                 |           |
|               | 8   |            | Grey(RAL7035/D)    |                 |           |
|               | 9   |            | White(RAL1102)     |                 |           |
|               | C   |            | Green(RAL6018/U)   |                 |           |

mat'l. code		surface ASME Y14.5	tolerance ASME Y14.5	projection	product family TERMINAL BLOCK
ltr	ecn no	dr	date		title TERMINAL BLOCK
tolerances unless otherwise specified				MM	WIRE PROTECTOR,90D WIRE INLET
angles		X.±0.5		scale	dwg no
X°±1'		X.XX±0.3			sheet 1 of 1
X°±1'		X.XX±0.1			size A4
dr	EVIN ZHONG	040114			T9xx21x000J0G
enr	EVIN ZHONG	040114			type CUSTOMER Drawing
chr	HANKE FENG	040114			
appd	SHI JUN	040114			
sheet index	revision sheet	A	1		