



Chipsmall Limited consists of a professional team with an average of over 10 year of expertise in the distribution of electronic components. Based in Hongkong, we have already established firm and mutual-benefit business relationships with customers from,Europe,America and south Asia,supplying obsolete and hard-to-find components to meet their specific needs.

With the principle of "Quality Parts,Customers Priority,Honest Operation,and Considerate Service",our business mainly focus on the distribution of electronic components. Line cards we deal with include Microchip,ALPS,ROHM,Xilinx,Pulse,ON,Everlight and Freescale. Main products comprise IC,Modules,Potentiometer,IC Socket,Relay,Connector.Our parts cover such applications as commercial,industrial, and automotives areas.

We are looking forward to setting up business relationship with you and hope to provide you with the best service and solution. Let us make a better world for our industry!



Contact us

Tel: +86-755-8981 8866 Fax: +86-755-8427 6832

Email & Skype: info@chipsmall.com Web: www.chipsmall.com

Address: A1208, Overseas Decoration Building, #122 Zhenhua RD., Futian, Shenzhen, China

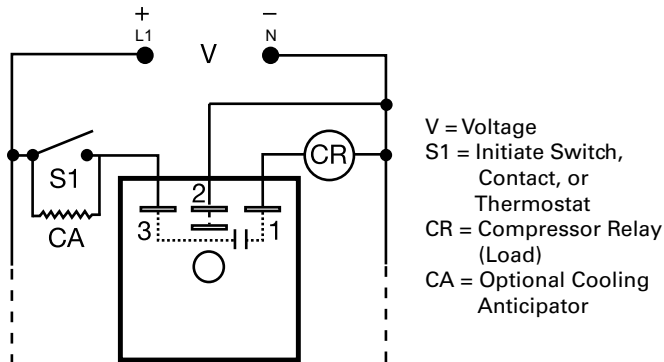


TA SERIES

Lockout



Wiring Diagram



Description

The TA Series prevents rapid recycling of a compressor. A lockout delay is started when the thermostat opens, or input voltage is lost. Eliminates tripped circuit breakers or blown fuses caused by a locked rotor during short cycling. The TA will not allow the compressor to start when the line voltage is low. Chatter of the compressor relay is eliminated. Because of the fast initiate time, bounce of the thermostat will not be transmitted to the compressor relay coil. A 30 second delay provides anti-reversing protection for scroll compressors.

Operation (Lockout)

On initial closure of the S1, the compressor relay energizes immediately. When S1 opens or input voltage is interrupted, a lockout time delay is initiated. During this lockout time delay, the compressor relay cannot be energized. The low voltage (brownout) protection prevents energization of the compressor when the line voltage is low.

Reset: The lockout time delay cannot be reset. After the time delay is completed, the unit automatically resets.

Features & Benefits

| FEATURES | BENEFITS |
|---|--|
| Lockout delay | Prevents rapid cycling of compressor and eliminates nuisance service calls due to blown fuse or tripped breaker by locked rotor during short cycling |
| Anti-reversing protection for scroll compressors | Extends life of equipment |
| Brownout protection | Timer will not allow the compressor to start during low line voltage conditions |
| Encapsulated | Protects against shock, vibration, and humidity |
| 1A solid state output | No moving parts to arc and wear out. Provides up to 100 million operations under typical conditions |

Accessories



P1023-6 Mounting bracket

The 90° orientation of mounting slots makes installation/removal of modules quick and easy.



P1015-64 (AWG 14/16) Female Quick Connect

These 0.25 in. (6.35 mm) female terminals are constructed with an insulator barrel to provide strain relief.



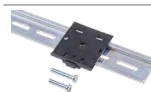
P1015-18 Quick Connect to Screw Adapter

Screw adapter terminal designed for use with all modules with 0.25 in. (6.35 mm) male quick connect terminals.



C103PM (AL) DIN Rail

35 mm aluminum DIN rail available in a 36 in. (91.4 cm) length.



P1023-20 DIN Rail Adapter

Allows module to be mounted on a 35 mm DIN type rail with two #10 screws.

Ordering Information

| MODEL | INPUT VOLTAGE | TIME DELAY |
|----------|---------------|------------|
| TA12D1 | 12VDC | 1m |
| TA12D2 | 12VDC | 2m |
| TA24A0.5 | 24VAC | 30s |
| TA24A3 | 24VAC | 3m |
| TA24A5 | 24VAC | 5m |

If you don't find the part you need, call us for a custom product 800-843-8848

TA SERIES

Specifications

| | |
|-------------------------------|---|
| Input | |
| Voltage | 12 or 24VDC; 24VAC |
| AC Line Frequency | 50/60 Hz |
| Impedance | 450 Ω (anticipator by-pass) |
| Output | |
| Minimum Load Current | 75mA |
| Maximum Load Current | 1A at 60°C |
| Voltage Drop | ≤ 1.25V |
| Time Delay | |
| Initiate Time | ≈ 16ms |
| Lockout Time | Fixed 0.5, 1, 2, 3, or 5m |
| Tolerance | -15% - 35% |
| Protection | |
| Circuitry | Encapsulated |
| Low Voltage Protection | ≈ 20V: 24VAC/DC; ≈ 9V: 12VDC |
| Dielectric Breakdown | ≥ 2000V RMS terminals to mounting surface |
| Insulation Resistance | ≥ 100 MΩ |

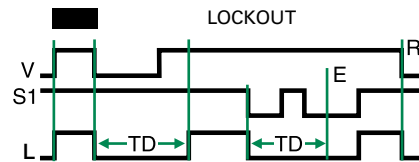
Mechanical

| | |
|--------------------|---|
| Mounting | Surface mount with one #10 (M5 x 0.8) screw |
| Dimensions | H 50.8 mm (2"); W 50.8 mm (2"); D 30.7 mm (1.21") |
| Termination | 0.25 in. (6.35 mm) male quick connect terminals |

Environmental

| | |
|-------------------------------------|------------------------------|
| Operating/Storage | |
| Temperature | -40° to 70°C / -40° to 85°C |
| Humidity | 95% relative, non-condensing |
| Weight | ≈ 2.4 oz (68 g) |
| Thermostat | |
| Cooling Anticipator Resistor | ≥ 1800 Ω |

Function Diagram



V = Voltage
S1 = Initiate Switch
L = Load (CR)
E = Ready
TD = Time Delay
R = Reset