



Chipsmall Limited consists of a professional team with an average of over 10 year of expertise in the distribution of electronic components. Based in Hongkong, we have already established firm and mutual-benefit business relationships with customers from,Europe,America and south Asia,supplying obsolete and hard-to-find components to meet their specific needs.

With the principle of “Quality Parts,Customers Priority,Honest Operation,and Considerate Service”,our business mainly focus on the distribution of electronic components. Line cards we deal with include Microchip,ALPS,ROHM,Xilinx,Pulse,ON,Everlight and Freescale. Main products comprise IC,Modules,Potentiometer,IC Socket,Relay,Connector.Our parts cover such applications as commercial,industrial, and automotives areas.

We are looking forward to setting up business relationship with you and hope to provide you with the best service and solution. Let us make a better world for our industry!



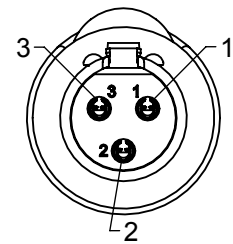
Contact us

Tel: +86-755-8981 8866 Fax: +86-755-8427 6832

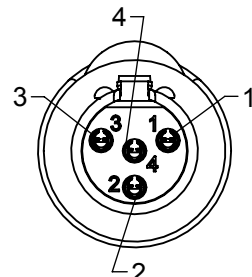
Email & Skype: info@chipsmall.com Web: www.chipsmall.com

Address: A1208, Overseas Decoration Building, #122 Zhenhua RD., Futian, Shenzhen, China

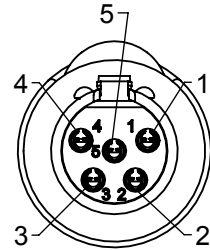




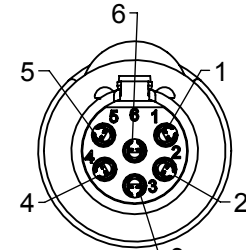
TA3FS SERIES
3 PIN



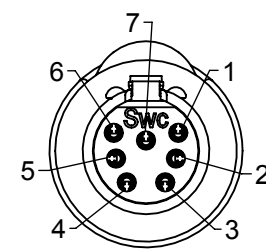
TA4FS SERIES
4 PIN



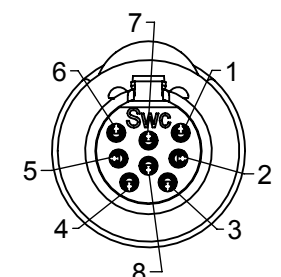
TA5FS SERIES
5 PIN



TA6FS SERIES
6 PIN

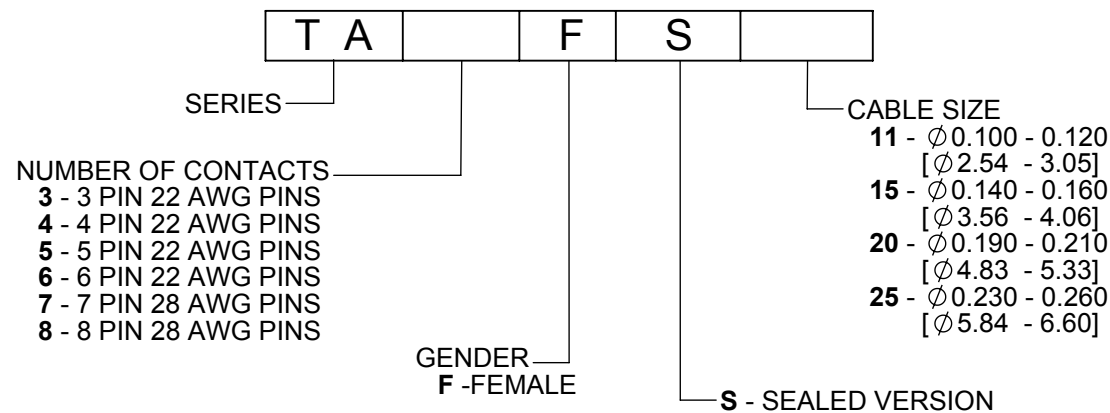


TA7FS SERIES
7 PIN

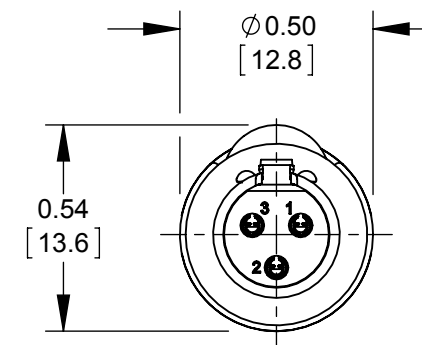
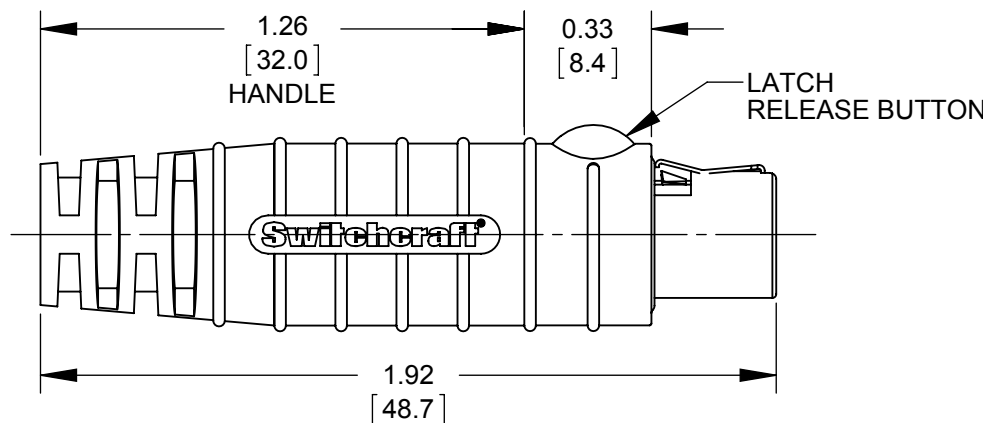
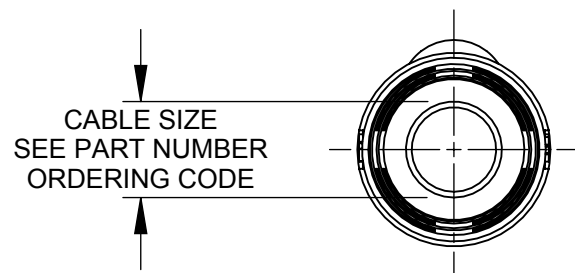
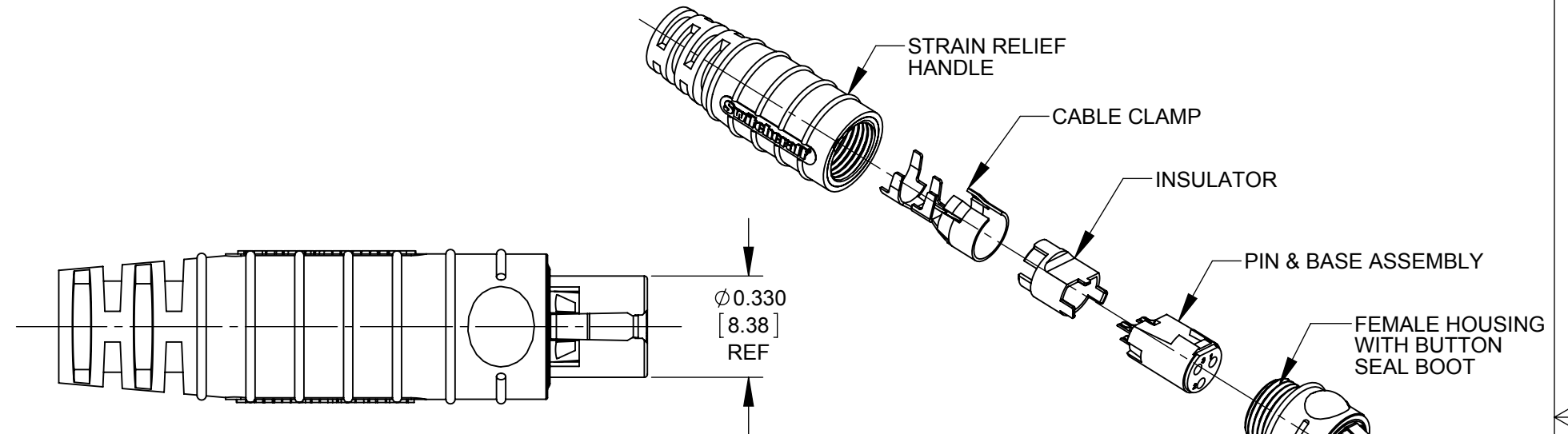


TA8FS SERIES
8 PIN

AS VIEWED FROM FRONT MATING SIDE



PART NUMBER ORDERING CODE



TA3FS SHOWN

CUSTOMER DRAWING

NOTES:

1. MATERIALS:
HOUSING - COPPER ALLOY, NICKEL PLATED
PIN CONTACTS - COPPER ALLOY, SILVER PLATED
LATCH BUTTON - RIGID THERMOPLASTIC, BLACK
PIN INSULATOR - RIGID THERMOPLASTIC, DARK BROWN
LATCH SPRING - COPPER ALLOY, NICKEL PLATED
CABLE CLAMP - STEEL, TIN PLATED
BUTTON SEAL BOOT - THERMOPLASTIC RUBBER, BLACK
INSERT MOLDED HANDLE - THERMOPLASTIC RUBBER OVER RIGID THERMOPLASTIC, BLACK

2. THIS PRODUCT IS RoHS COMPLIANT.

					THIS DRAWING DESCRIBES A DESIGN CONSIDERED PROPRIETARY IN NATURE, DEVELOPED AND MANUFACTURED BY SWITCHCRAFT INC. AND IS RELEASED ON A CONFIDENTIAL BASIS FOR IDENTIFICATION PURPOSES ONLY.				
					SIZE	WIDTH	MULT	LBS/M	TEMPER
					FINISH			MATERIAL	
					SPEC No.			SPEC No.	
					FIRST USED ON		SCALE		
							2:1		
DATE DRAWN		BY	CHKD		APVD				
1/29/13		AB	AB		TJK				
			1/29/13		9-28-15		SHEET 1 OF 1		
REV		ECO NUMBER	DATE	BY	APVD	NAME		PART No.	REV
REVISIONS					DO NOT SCALE DRAWING				
					SEALED TINI Q-G		TA_FS SERIES		
					FEMALE, ROHS		B		