



Chipsmall Limited consists of a professional team with an average of over 10 year of expertise in the distribution of electronic components. Based in Hongkong, we have already established firm and mutual-benefit business relationships with customers from,Europe,America and south Asia,supplying obsolete and hard-to-find components to meet their specific needs.

With the principle of “Quality Parts,Customers Priority,Honest Operation,and Considerate Service”,our business mainly focus on the distribution of electronic components. Line cards we deal with include Microchip,ALPS,ROHM,Xilinx,Pulse,ON,Everlight and Freescale. Main products comprise IC,Modules,Potentiometer,IC Socket,Relay,Connector.Our parts cover such applications as commercial,industrial, and automotives areas.

We are looking forward to setting up business relationship with you and hope to provide you with the best service and solution. Let us make a better world for our industry!



Contact us

Tel: +86-755-8981 8866 Fax: +86-755-8427 6832

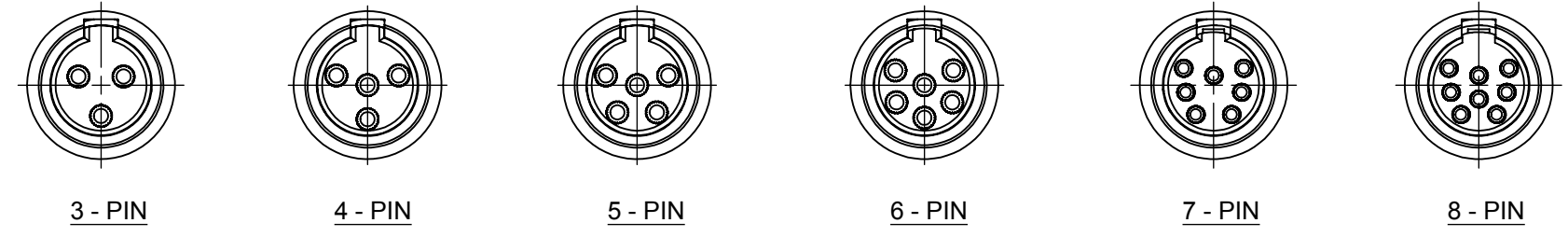
Email & Skype: info@chipsmall.com Web: www.chipsmall.com

Address: A1208, Overseas Decoration Building, #122 Zhenhua RD., Futian, Shenzhen, China



T A M

X



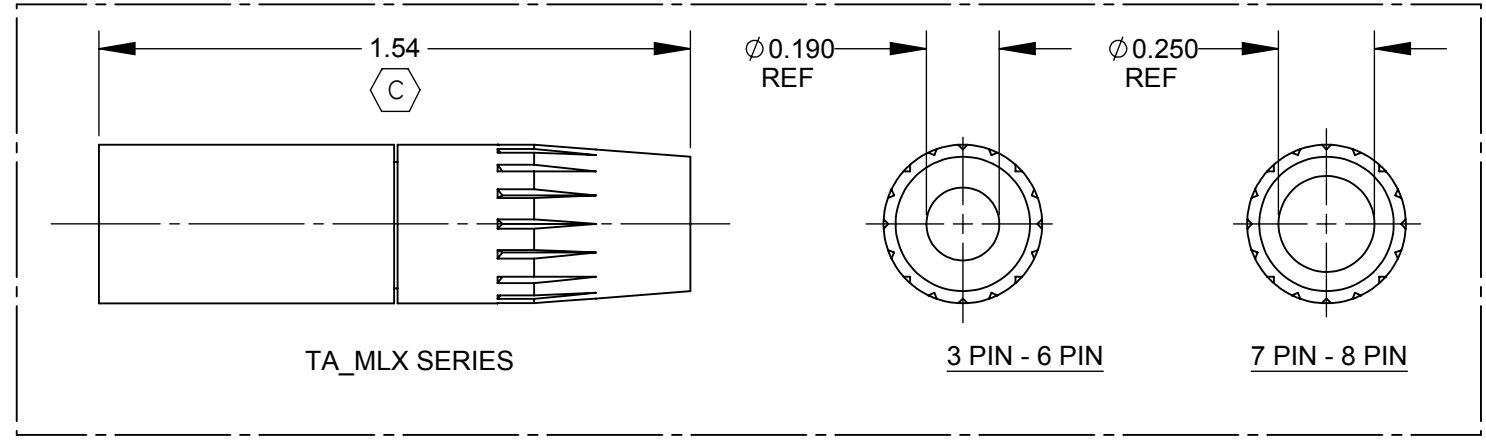
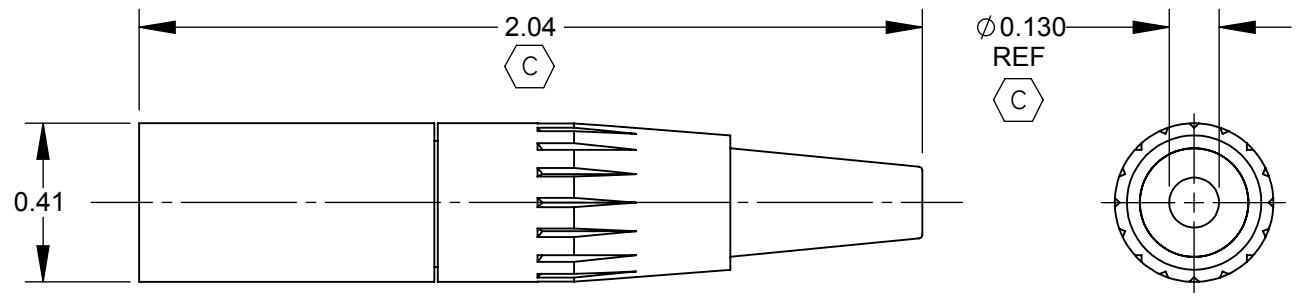
RoHS COMPLIANT
E - PLATED PLASTIC HANDLE

CONTACT PLATING
BLANK - SILVER (STANDARD)
AU - GOLD

HOUSING FINISH
BLANK - NICKEL
B - BLACK CHROME

FLEX RELIEF SIZE (CABLE RANGE)
BLANK - STANDARD SIZE (∅0.065 - ∅0.155)
L - NO FLEX RELIEF
3 PIN - 6 PIN HANDLE (∅0.115 - ∅0.190)
7 PIN - 8 PIN HANDLE (∅0.115 - ∅0.250)

NUMBER OF CONTACTS
3 - 3 CONTACTS
4 - 4 CONTACTS
5 - 5 CONTACTS
6 - 6 CONTACTS
7 - 7 CONTACTS
8 - 8 CONTACTS



CUSTOMER DRAWING

NOTES:
1. MATERIALS:
HOUSING - COPPER ALLOY, NICKEL PLATED
CONTACTS - COPPER ALLOY, SILVER OR GOLD PLATED
HANDLE - THERMOPLASTIC (UL 94V-0), BLACK
FLEX RELIEF - PVC (UL 94V-0), BLACK
CABLE CLAMP - STEEL, ELECTRO-TIN PLATED
CONTACT INSULATORS - PPS (UL 94V-0)
2. THIS PRODUCT IS RoHS COMPLIANT.

REV	ECO NUMBER	DATE	BY	APVD
D	26500	02-03-10	JEB	TJK
C	25955	09-22-08	JEB	TJK
B	25885	06-10-08	JEB	TJK
A	25229	12-21-05	AH	TJK

UNLESS OTHERWISE SPECIFIED
1. ALL DIMENSIONS IN INCHES
- TWO PLACE DECIMALS ±0.02
- THREE PLACE DECIMALS ±0.005
DO NOT SCALE DRAWING

THIS DRAWING DESCRIBES A DESIGN CONSIDERED PROPRIETARY IN NATURE, DEVELOPED AND MANUFACTURED BY SWITCHCRAFT INC. AND IS RELEASED ON A CONFIDENTIAL BASIS FOR IDENTIFICATION PURPOSES ONLY.											
SIZE	WIDTH	MULT	LBS/M	TEMPER							
FINISH					MATERIAL						
SPEC No.					SPEC No.						
FIRST USED ON				SCALE 2:1							
DATE DRAWN	BY	CHKD	APVD	Switchcraft®							
06-12-12	JEB	JEB	TJK	SHEET 1 OF 1							
				06-12-12				06-12-12			
NAME TINI QG MALE STRAIGHT CORD PLUG, RoHS								PART No. TA_MX SERIES		REV D	

SolidWorks CAD File