



Chipsmall Limited consists of a professional team with an average of over 10 year of expertise in the distribution of electronic components. Based in Hongkong, we have already established firm and mutual-benefit business relationships with customers from,Europe,America and south Asia,supplying obsolete and hard-to-find components to meet their specific needs.

With the principle of “Quality Parts,Customers Priority,Honest Operation,and Considerate Service”,our business mainly focus on the distribution of electronic components. Line cards we deal with include Microchip,ALPS,ROHM,Xilinx,Pulse,ON,Everlight and Freescale. Main products comprise IC,Modules,Potentiometer,IC Socket,Relay,Connector.Our parts cover such applications as commercial,industrial, and automotives areas.

We are looking forward to setting up business relationship with you and hope to provide you with the best service and solution. Let us make a better world for our industry!



Contact us

Tel: +86-755-8981 8866 Fax: +86-755-8427 6832

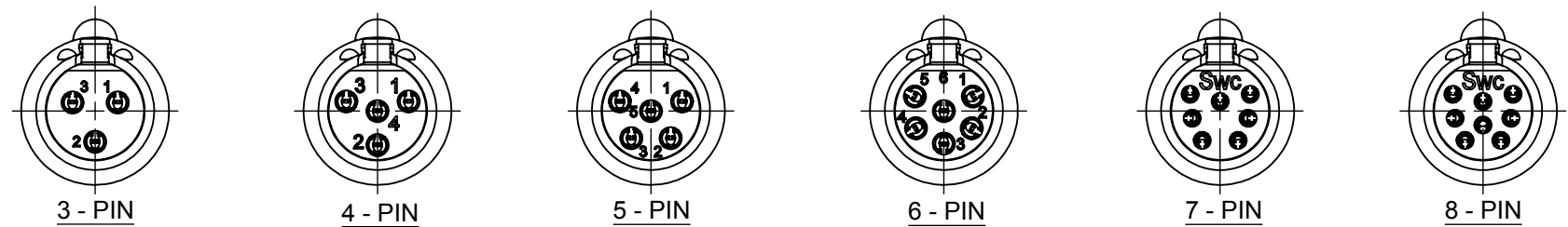
Email & Skype: info@chipsmall.com Web: www.chipsmall.com

Address: A1208, Overseas Decoration Building, #122 Zhenhua RD., Futian, Shenzhen, China

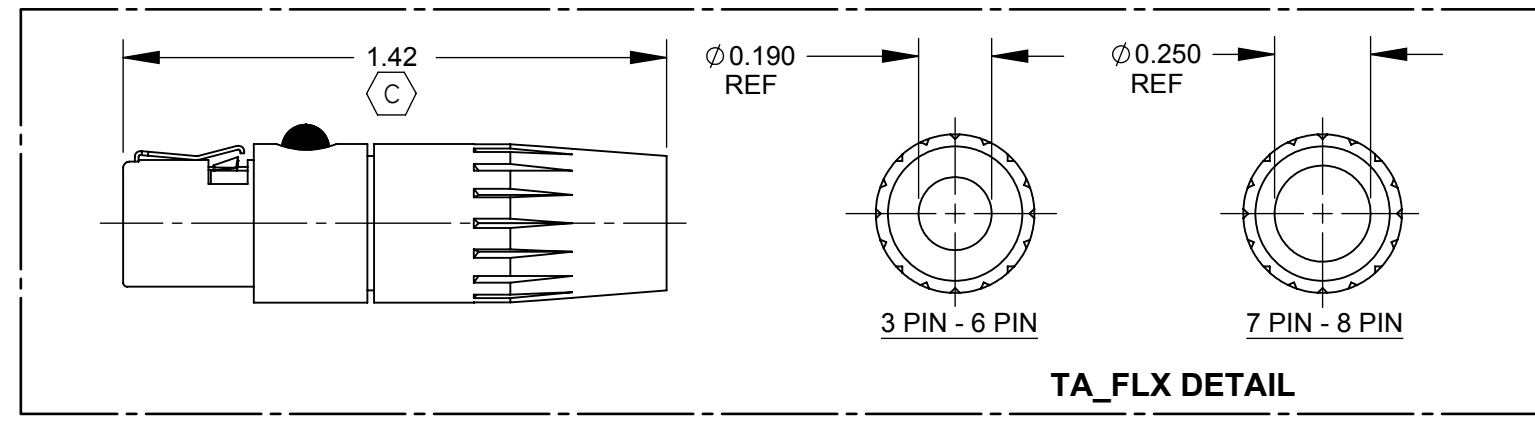
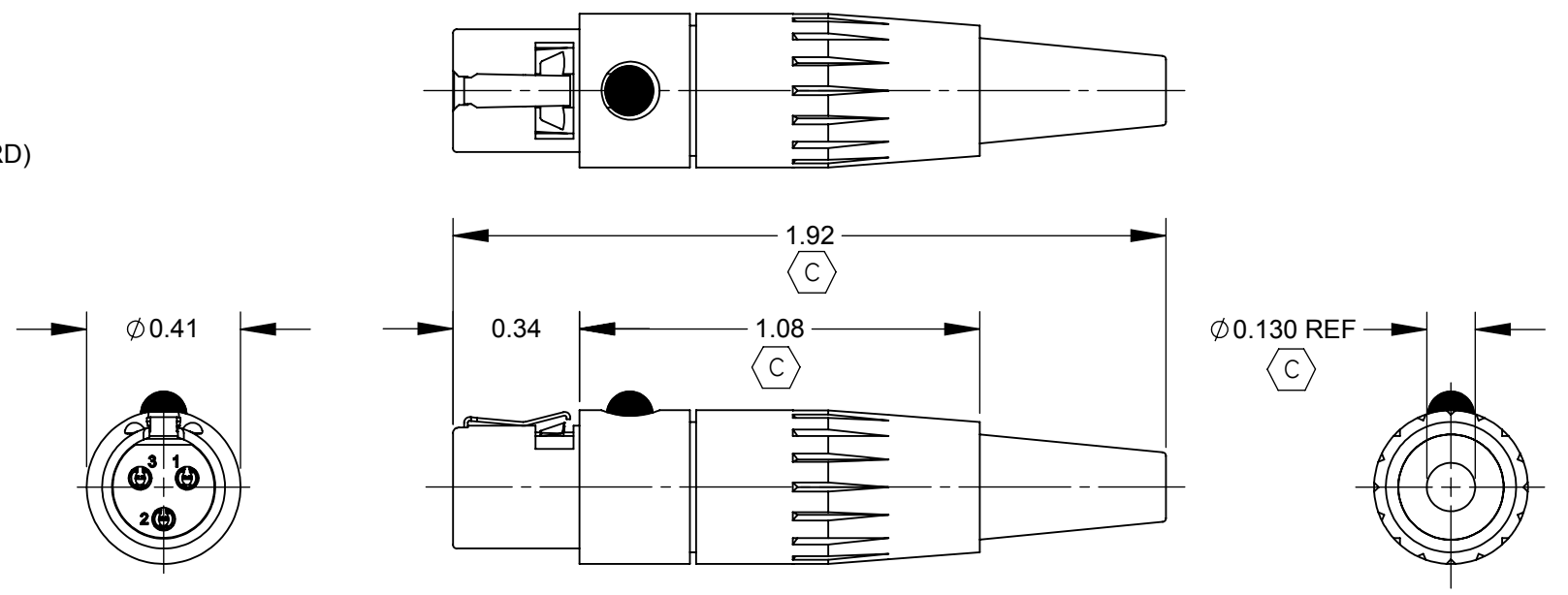


T A F

X



- RoHS COMPLIANT
- HANDLE FINISH
 - BLANK - BLACK PLASTIC (STANDARD)
 - E - NICKEL PLATED PLASTIC
- CONTACT PLATING
 - BLANK - SILVER (STANDARD)
 - AU - GOLD
- HOUSING FINISH
 - BLANK - NICKEL
 - B - BLACK CHROME
- FLEX RELIEF SIZE (CABLE RANGE)
 - BLANK - STANDARD SIZE ($\phi 0.065 - \phi 0.155$)
 - L - NONE, PLASTIC HANDLE ONLY (SEE "TA_FLX" DETAIL)
 - 3 PIN - 6 PIN HANDLE ($\phi 0.115 - \phi 0.190$)
 - 7 PIN - 8 PIN HANDLE ($\phi 0.115 - \phi 0.250$)
- NUMBER OF CONTACTS
 - 3 - 3 CONTACTS
 - 4 - 4 CONTACTS
 - 5 - 5 CONTACTS
 - 6 - 6 CONTACTS
 - 7 - 7 CONTACTS
 - 8 - 8 CONTACTS



CUSTOMER DRAWING

NOTES:

- MATERIALS:**
 HOUSING - COPPER ALLOY, NICKEL PLATED OR BLACK CHROME PLATED
 CONTACTS - COPPER ALLOY, SILVER PLATED OR GOLD PLATED
 HANDLE - THERMOPLASTIC, BLACK OR NICKEL PLATED
 FLEX RELIEF - PVC, BLACK
 CABLE CLAMP - STEEL, ELECTRO-TIN PLATED
 CONTACT INSULATORS - THERMOPLASTIC, BROWN
- THIS PRODUCT IS RoHS COMPLIANT.

REV	ECO NUMBER	DATE	BY	APVD
C	25955	09-22-08	JEB	TJK
B	25388	07-22-06	JEB	TJK
A	25229	12-21-05	AH	TJK

UNLESS OTHERWISE SPECIFIED

1. ALL DIMENSIONS IN INCHES
 - TWO PLACE DECIMALS ± 0.02
 - THREE PLACE DECIMALS ± 0.005

DO NOT SCALE DRAWING

THIS DRAWING DESCRIBES A DESIGN CONSIDERED PROPRIETARY IN NATURE, DEVELOPED AND MANUFACTURED BY SWITCHCRAFT INC. AND IS RELEASED ON A CONFIDENTIAL BASIS FOR IDENTIFICATION PURPOSES ONLY.									
SIZE	WIDTH	MULT	LBS/M	TEMPER					
FINISH					MATERIAL				
SPEC No.					SPEC No.				
FIRST USED ON				SCALE					
				2:1					
DATE DRAWN	BY	CHKD	APVD						
11-02-10	JEB	JEB	TJK						
			11-02-10	03-08-11					
NAME								PART No.	
TINI QG FEMALE								TA_FLX SERIES	
STRAIGHT CORD PLUG, RoHS								REV	
								C	