



Chipsmall Limited consists of a professional team with an average of over 10 year of expertise in the distribution of electronic components. Based in Hongkong, we have already established firm and mutual-benefit business relationships with customers from,Europe,America and south Asia,supplying obsolete and hard-to-find components to meet their specific needs.

With the principle of “Quality Parts,Customers Priority,Honest Operation,and Considerate Service”,our business mainly focus on the distribution of electronic components. Line cards we deal with include Microchip,ALPS,ROHM,Xilinx,Pulse,ON,Everlight and Freescale. Main products comprise IC,Modules,Potentiometer,IC Socket,Relay,Connector.Our parts cover such applications as commercial,industrial, and automotives areas.

We are looking forward to setting up business relationship with you and hope to provide you with the best service and solution. Let us make a better world for our industry!



Contact us

Tel: +86-755-8981 8866 Fax: +86-755-8427 6832

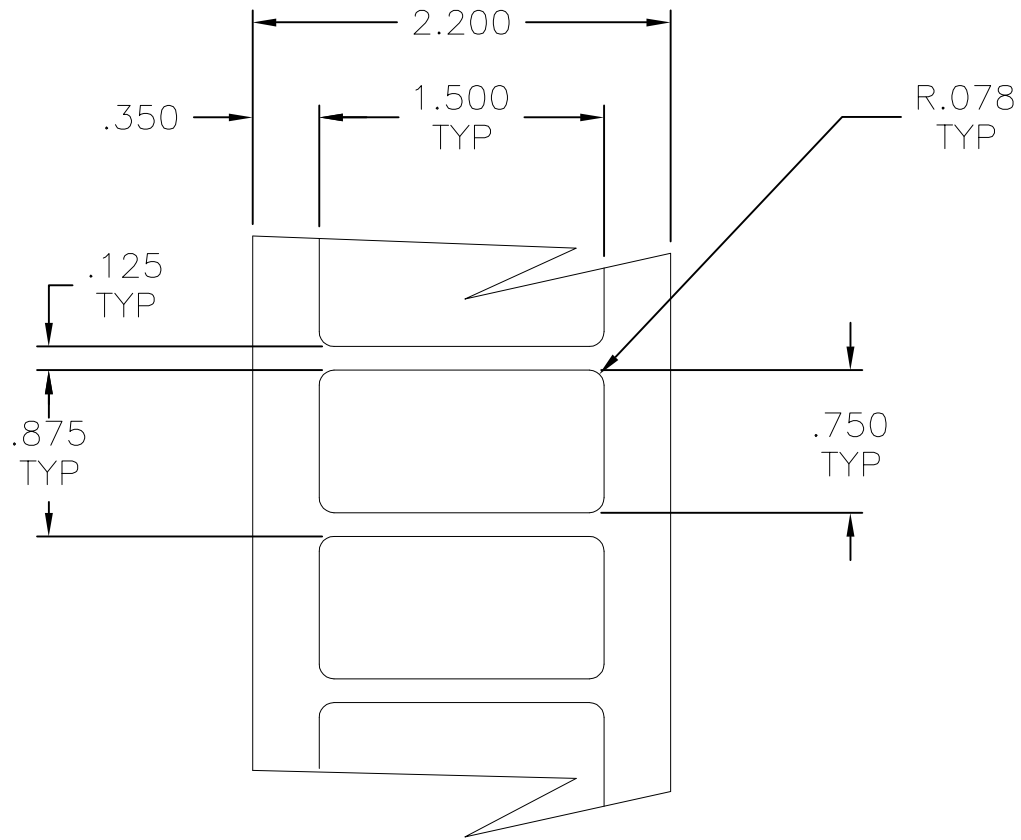
Email & Skype: info@chipsmall.com Web: www.chipsmall.com

Address: A1208, Overseas Decoration Building, #122 Zhenhua RD., Futian, Shenzhen, China



name	date	city, state

NOTES



3,000 LABELS PER ROLL
1 ACROSS

PART NUMBER	MATERIAL
TAG27T1-795	795 - METALIZED POLYESTER
TAG27T1-822	822 - WHITE POLYESTER
TAG27T1-822C	822 - CLEAR POLYESTER

REVISION	level	03
	date	06/03/08
	by	AAC
	ECN #	011047
part level	-	

DIMENSIONS	.XXXX=	
	.XXX= ±.010	
	.XX=	
	.X=	
	∠=	
unless otherwise specified		
units	inches	

PART	number	SEE CHART	phase	PRODUCTION
	name	TAG27T1 THERMAL TRANSFER BLANK LABEL		
	material	SEE CHART		

DRAWING	FORMAT	AV	version	K	CAD	ACAD	scale	1X
	computer file number	LA/DTL/3002010_03		previous number				
	drawn	K.A.C.	checked	KAC	approved			
	date	10/21/94	checked	06/03/08	approved			
	type	DETAIL		sheet		1 of 1		
number	LA3002010DTL							