



Chipsmall Limited consists of a professional team with an average of over 10 year of expertise in the distribution of electronic components. Based in Hongkong, we have already established firm and mutual-benefit business relationships with customers from,Europe,America and south Asia,supplying obsolete and hard-to-find components to meet their specific needs.

With the principle of "Quality Parts,Customers Priority,Honest Operation,and Considerate Service",our business mainly focus on the distribution of electronic components. Line cards we deal with include Microchip,ALPS,ROHM,Xilinx,Pulse,ON,Everlight and Freescale. Main products comprise IC,Modules,Potentiometer,IC Socket,Relay,Connector.Our parts cover such applications as commercial,industrial, and automotives areas.

We are looking forward to setting up business relationship with you and hope to provide you with the best service and solution. Let us make a better world for our industry!



## Contact us

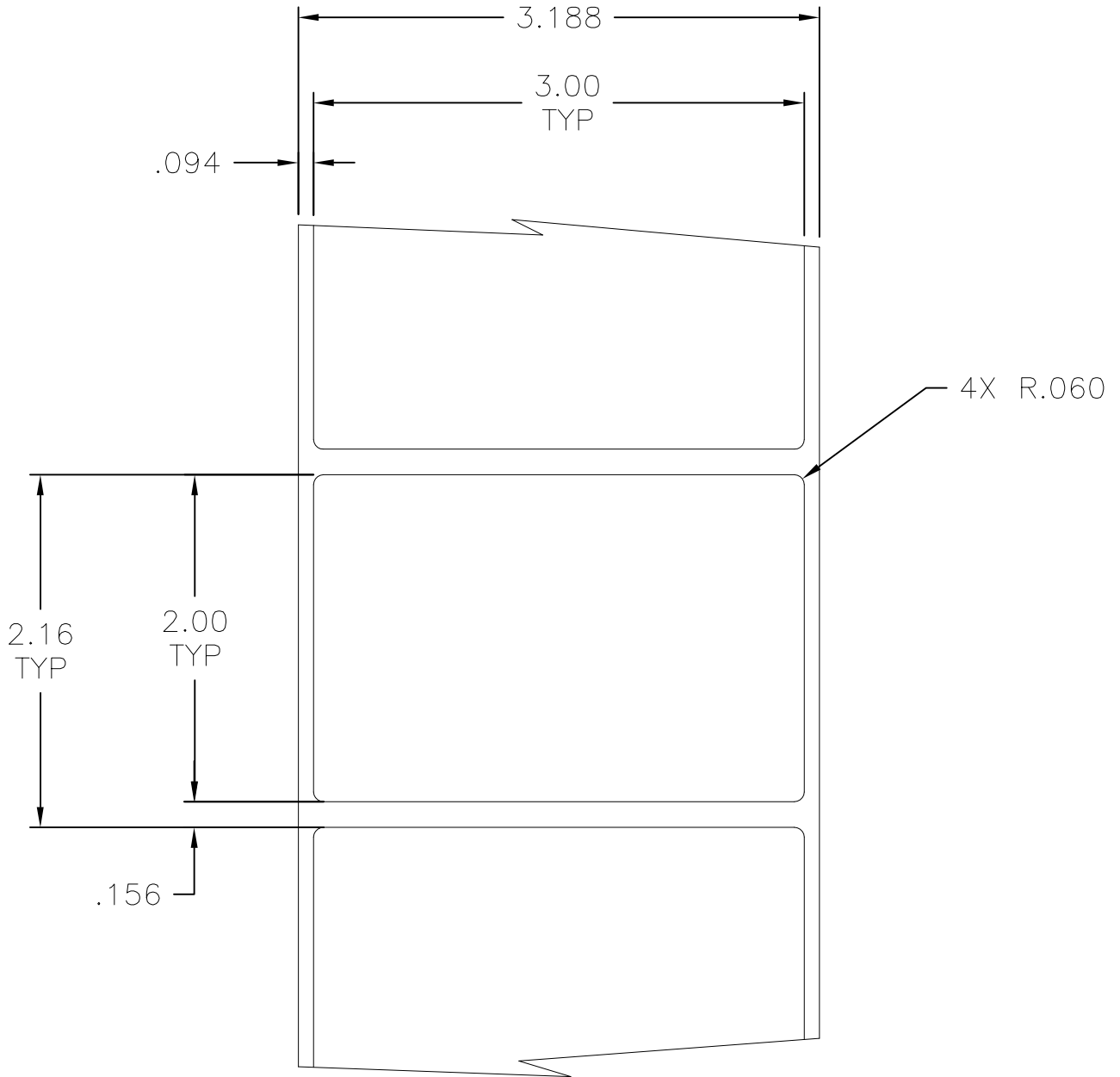
Tel: +86-755-8981 8866 Fax: +86-755-8427 6832

Email & Skype: info@chipsmall.com Web: www.chipsmall.com

Address: A1208, Overseas Decoration Building, #122 Zhenhua RD., Futian, Shenzhen, China



DRAWING NO.	name	date	city, state	NOTES



1000 WHITE LABELS PER ROLL  
1 ACROSS ON A 3" CORE

PART NUMBER	MATERIAL
TAG33T1-DTH	DTH-DURATTACH POLYOLEFIN

REVISION	level	$\triangle 01$
	date	06/03/08
	by	AAC
	ECN #	011047
part level	A	

DIMENSIONS	TOLERANCES	.XXXX = $\pm 0.0005$
		.XXX = $\pm 0.005$
		.XX = $\pm 0.01$
		.X = $\pm 0.03$
		$\angle = \pm 0.5^\circ$
		unless otherwise specified
	units	inches

PART	number	TAG33T1-DTH	phase	PRODUCTION
	name	TAG33T1 BLANK THERMAL TRANSFER LABEL		
	material	SEE CHART		

DRAWING	FORMAT	AV	version	M	CAD	ACAD	scale	1X	
	computer file number	LA\DTL\3002076_01							
	previous number								
	drawn	AAC	checked	KAC	approved				
	date	06/03/08	checked	06/03/08	approved				
	type	DETAIL			sheet	1 of 1			
number	LA3002076DTL								