



Chipsmall Limited consists of a professional team with an average of over 10 year of expertise in the distribution of electronic components. Based in Hongkong, we have already established firm and mutual-benefit business relationships with customers from,Europe,America and south Asia,supplying obsolete and hard-to-find components to meet their specific needs.

With the principle of “Quality Parts,Customers Priority,Honest Operation,and Considerate Service”,our business mainly focus on the distribution of electronic components. Line cards we deal with include Microchip,ALPS,ROHM,Xilinx,Pulse,ON,Everlight and Freescale. Main products comprise IC,Modules,Potentiometer,IC Socket,Relay,Connector.Our parts cover such applications as commercial,industrial, and automotives areas.

We are looking forward to setting up business relationship with you and hope to provide you with the best service and solution. Let us make a better world for our industry!



Contact us

Tel: +86-755-8981 8866 Fax: +86-755-8427 6832

Email & Skype: info@chipsmall.com Web: www.chipsmall.com

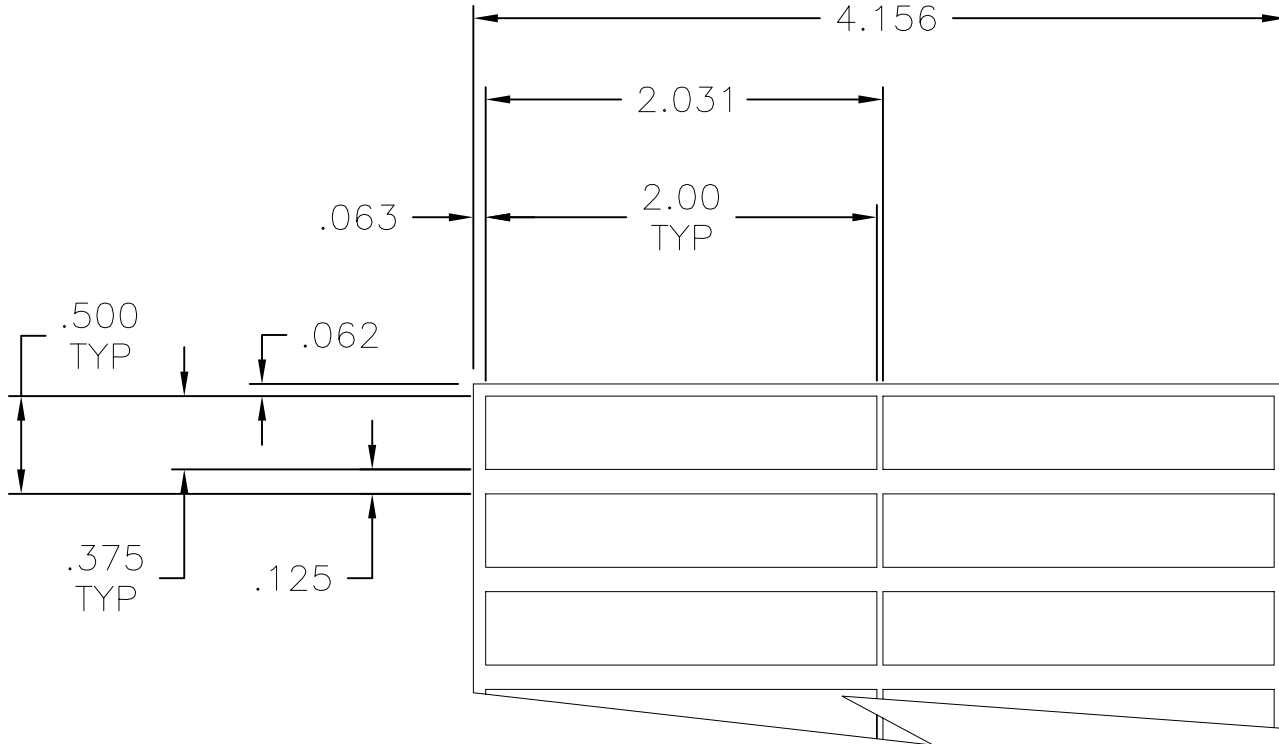
Address: A1208, Overseas Decoration Building, #122 Zhenhua RD., Futian, Shenzhen, China



PRO-TEK™

name	date	city, state

NOTES



10,000 WHITE LABELS PER ROLL
2 ACROSS ON 3" CORE

REVISION	D level	A
	W date	12/21/99
	I by	AAM
	G ECN #	001625
	part level	A

DIMENSIONS	.XXXX = ±.0005
	.XXX = ±.010
	.XX = ±.01
	.X = ±.03
	∠ = ±0.5°
	unless otherwise specified
	units inches

PART	number	TAG35T2-250	phase	PRODUCTION
	name	TAG35T2-250 BLANK THERMAL TRANSFER LABEL		
	material	250 NYLON CLOTH		

DRAWING	FORMAT AV	version L	CAD ACAD	scale 1X
	computer file number	LA\DTL\3002039A		
	previous number			
	drawn	A.A.M.	checked	K.A.C.
	12/21/99	02/09/00		
	type	DETAIL	sheet	1 of 1
	number	LA3002039DTL		