



Chipsmall Limited consists of a professional team with an average of over 10 year of expertise in the distribution of electronic components. Based in Hongkong, we have already established firm and mutual-benefit business relationships with customers from,Europe,America and south Asia,supplying obsolete and hard-to-find components to meet their specific needs.

With the principle of “Quality Parts,Customers Priority,Honest Operation,and Considerate Service”,our business mainly focus on the distribution of electronic components. Line cards we deal with include Microchip,ALPS,ROHM,Xilinx,Pulse,ON,Everlight and Freescale. Main products comprise IC,Modules,Potentiometer,IC Socket,Relay,Connector.Our parts cover such applications as commercial,industrial, and automotives areas.

We are looking forward to setting up business relationship with you and hope to provide you with the best service and solution. Let us make a better world for our industry!



Contact us

Tel: +86-755-8981 8866 Fax: +86-755-8427 6832

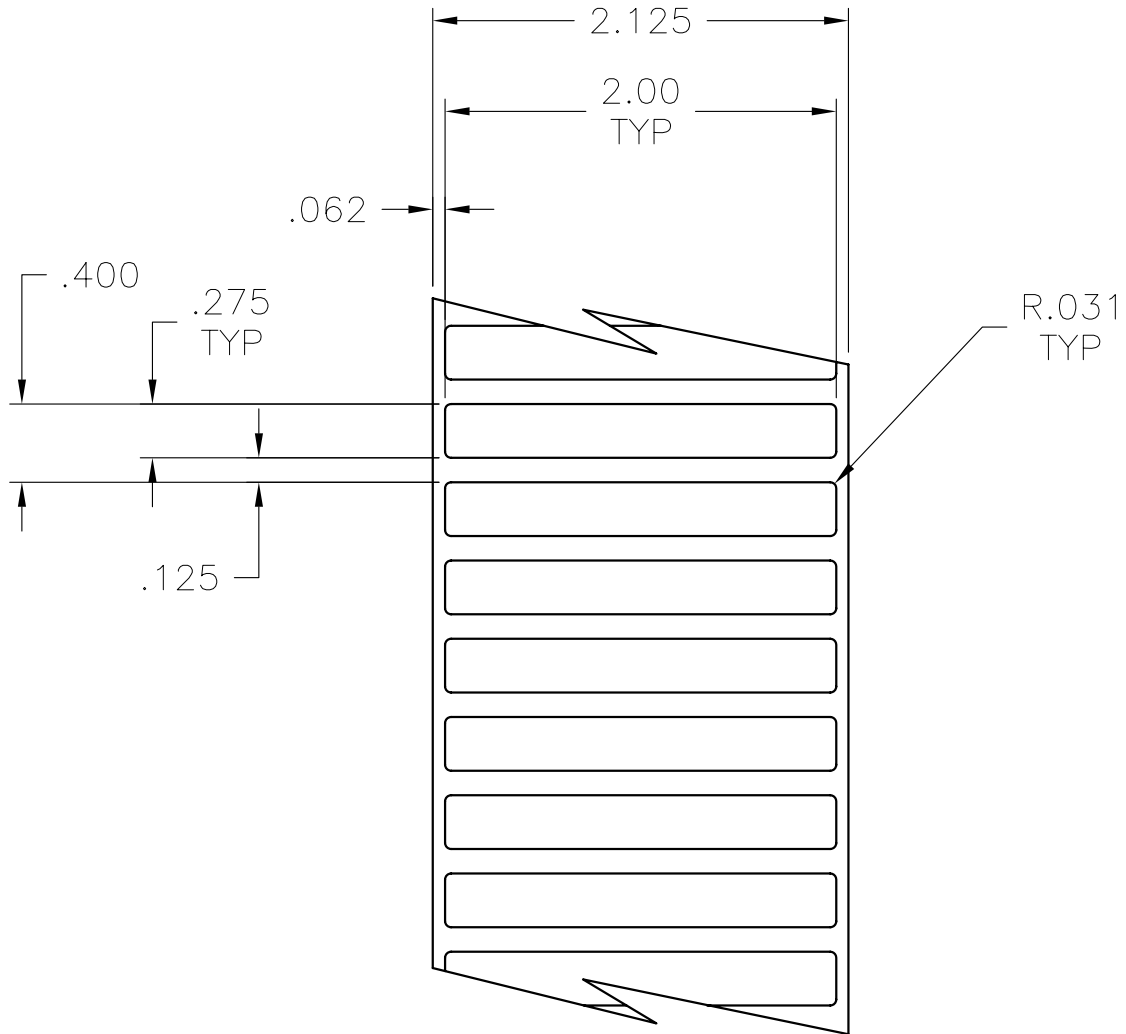
Email & Skype: info@chipsmall.com Web: www.chipsmall.com

Address: A1208, Overseas Decoration Building, #122 Zhenhua RD., Futian, Shenzhen, China



PRO-TECH	name	date	city, state

NOTES



10000 LABELS PER ROLL
1 ACROSS ON A 3" CORE

REVISION	DRAWING	level	$\triangle 01$
	DATE	12/02/04	
	BY	AAC	
	ECN #	010077	
	PART LEVEL	-	

DIMENSIONS	TOLERANCES	.XXXX = $\pm .0005$
		.XXX = $\pm .005$
		.XX = $\pm .01$
		.X = $\pm .03$
		$\angle = \pm 0.5^\circ$
	unless otherwise specified	
	units	inches

PART	number	TAG69T1-336	phase	PRODUCTION
	name	TAG69T1-336 THERMAL TRANSFER BLANK LABEL		
	material	336 WHITE POLYESTER		

DRAWING	FORMAT	AV	version	M	CAD	ACAD	scale	1X
	computer file number	LA\DTL\3002079_01		previous number				
	drawn	A.A.C.	checked	K.A.C.	approved			
	date	12/01/04	checked	12/02/04	approved			
	type	DETAIL		sheet	1 of 1			
number	LA3002079DTL							