



Chipsmall Limited consists of a professional team with an average of over 10 year of expertise in the distribution of electronic components. Based in Hongkong, we have already established firm and mutual-benefit business relationships with customers from,Europe,America and south Asia,supplying obsolete and hard-to-find components to meet their specific needs.

With the principle of “Quality Parts,Customers Priority,Honest Operation,and Considerate Service”,our business mainly focus on the distribution of electronic components. Line cards we deal with include Microchip,ALPS,ROHM,Xilinx,Pulse,ON,Everlight and Freescale. Main products comprise IC,Modules,Potentiometer,IC Socket,Relay,Connector.Our parts cover such applications as commercial,industrial, and automotives areas.

We are looking forward to setting up business relationship with you and hope to provide you with the best service and solution. Let us make a better world for our industry!



Contact us

Tel: +86-755-8981 8866 Fax: +86-755-8427 6832

Email & Skype: info@chipsmall.com Web: www.chipsmall.com

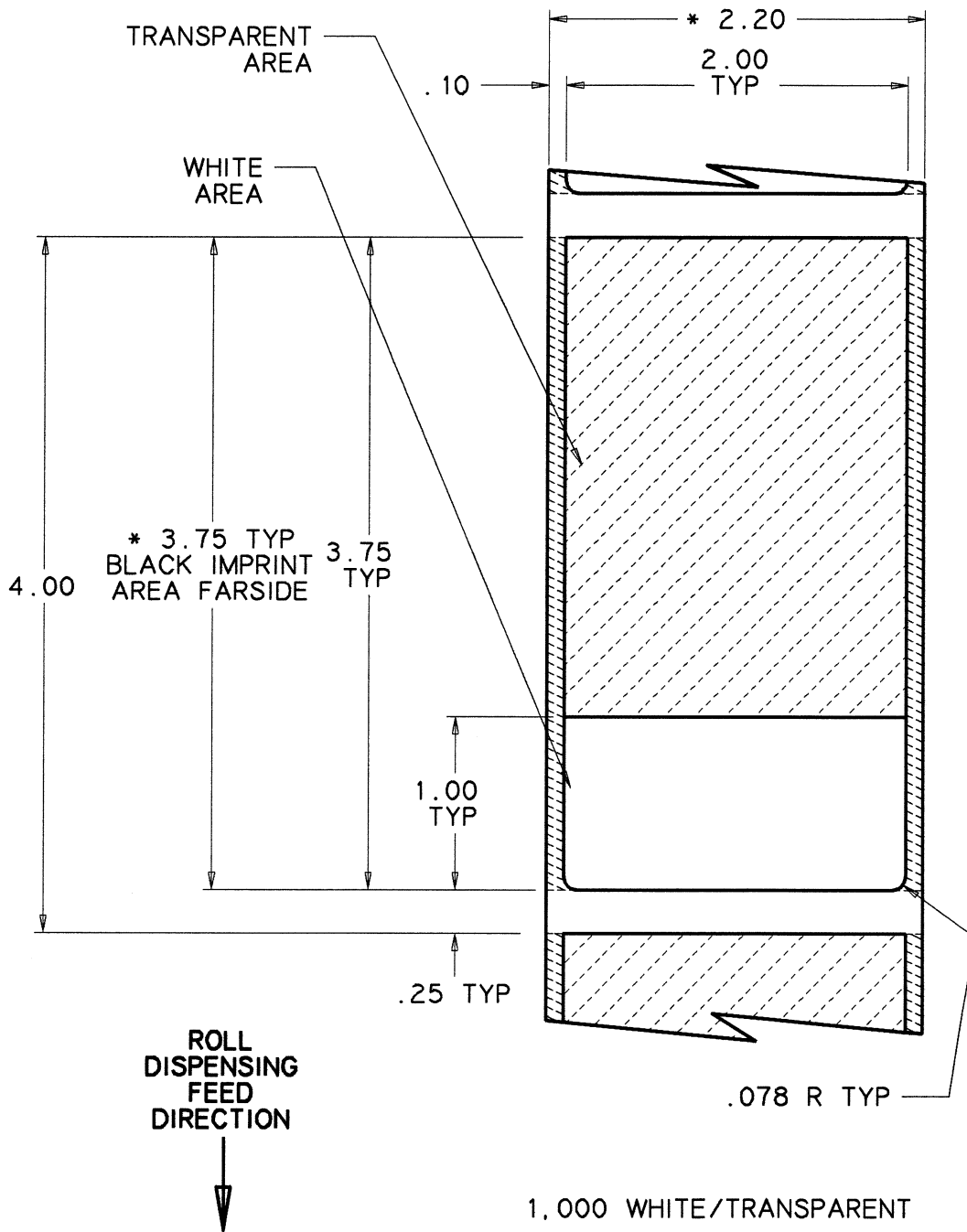
Address: A1208, Overseas Decoration Building, #122 Zhenhua RD., Futian, Shenzhen, China



name	date	city, state

NOTES

* DIMENSIONS FOR FAR SIDE OF RELEASE LINER



1,000 WHITE/TRANSPARENT LABELS PER ROLL
1 ACROSS ON A 3" CORE

REVISION	level	A
	by	AAM
	date	11/25/98
	ECN #	000944
	part level	A

DIMENSIONS	.XXXX =	
	.XXX = ±	0.10
	.XX = ±	0.01
	.X =	
	∠ =	
unless otherwise specified		
units	inches	

PART	number	TAG6T1-100B	phase	PRODUCTION
	name	TAG6T1-100B THERMAL TRANSFER SELF-LAMINATING LABEL		
	material	100 CLEAR VINYL ON 50 LB LINER		

DRAWING	FORMAT AV version J	CAD	PD	scale	1X	
	computer file number	LA\DTL\3002114A				
	previous number					
	drawn	A. A. M.	checked	12/9/98	approved	
	date	11/25/98				
type	DETAIL		sheet 1 of 1			
number	LA3002114DTL					