



Chipsmall Limited consists of a professional team with an average of over 10 year of expertise in the distribution of electronic components. Based in Hongkong, we have already established firm and mutual-benefit business relationships with customers from,Europe,America and south Asia,supplying obsolete and hard-to-find components to meet their specific needs.

With the principle of "Quality Parts,Customers Priority,Honest Operation,and Considerate Service",our business mainly focus on the distribution of electronic components. Line cards we deal with include Microchip,ALPS,ROHM,Xilinx,Pulse,ON,Everlight and Freescale. Main products comprise IC,Modules,Potentiometer,IC Socket,Relay,Connector.Our parts cover such applications as commercial,industrial, and automotives areas.

We are looking forward to setting up business relationship with you and hope to provide you with the best service and solution. Let us make a better world for our industry!



Contact us

Tel: +86-755-8981 8866 Fax: +86-755-8427 6832

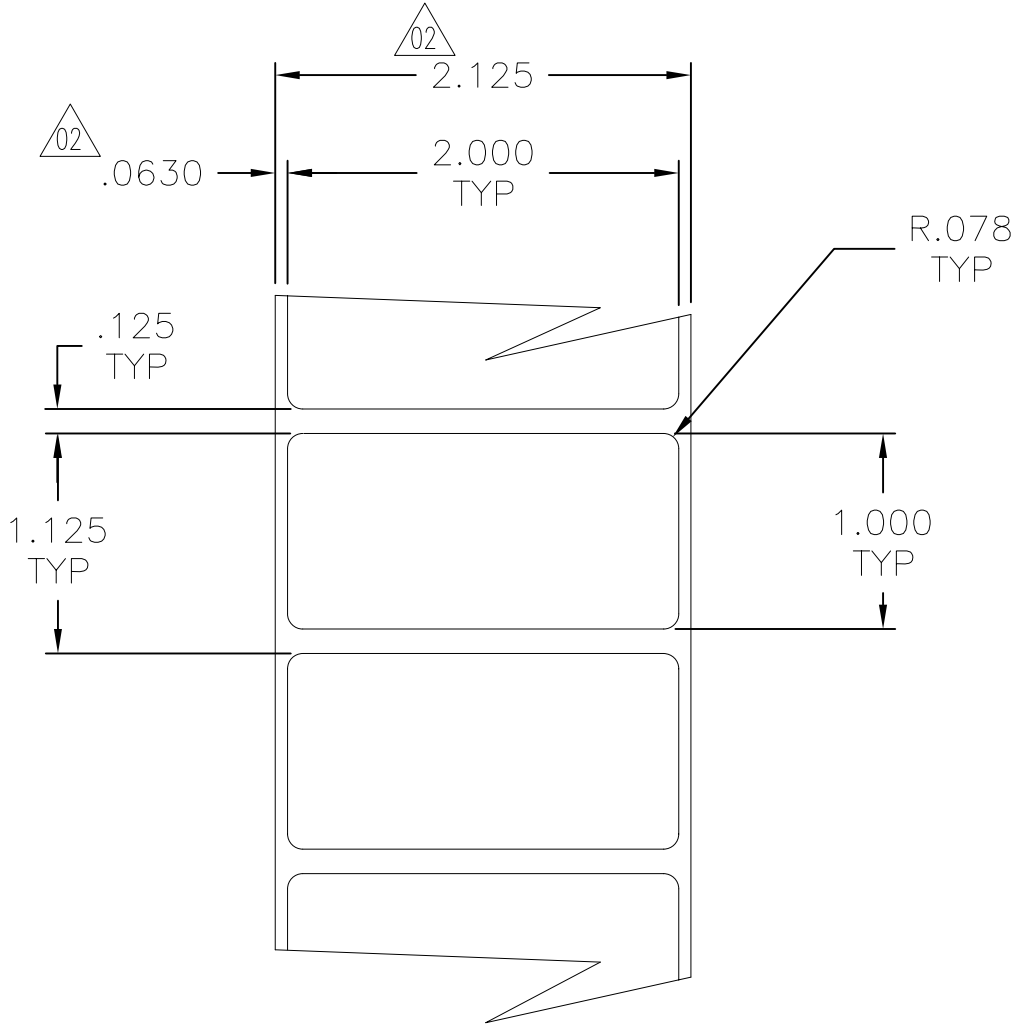
Email & Skype: info@chipsmall.com Web: www.chipsmall.com

Address: A1208, Overseas Decoration Building, #122 Zhenhua RD., Futian, Shenzhen, China



name	date	city, state

NOTES



3,000 LABELS PER ROLL
1 ACROSS

PART NUMBER	MATERIAL
TAG73T1-795	795 - METALIZED POLYESTER
TAG73T1-822	822 - WHITE POLYESTER
TAG73T1-DTH	DTH - DURATTACH POLYOLEFIN

REVISION	D level	02
	AW date	10/12/05
	W by	AAC
	G ECN #	010249
part level	-	

DIMENSIONS	.XXXX=	
	.XXX= ±.010	
	.XX=	
	.X=	
	∠=	
unless otherwise specified		
units	inches	

PART	number	SEE CHART	phase	PRODUCTION
	name	TAG73T1 THERMAL TRANSFER BLANK LABEL		
	material	SEE CHART		

DRAWING	FORMAT AV version K	CAD ACAD	scale	1X
	computer file number	previous number		
	LA/DTL/3002009_02			
	drawn	K.A.C.	checked	KAC
10/21/94	10/12/05			
type	DETAIL	sheet	1 of 1	
number	LA3002009DTL			