



Chipsmall Limited consists of a professional team with an average of over 10 year of expertise in the distribution of electronic components. Based in Hongkong, we have already established firm and mutual-benefit business relationships with customers from,Europe,America and south Asia,supplying obsolete and hard-to-find components to meet their specific needs.

With the principle of “Quality Parts,Customers Priority,Honest Operation,and Considerate Service”,our business mainly focus on the distribution of electronic components. Line cards we deal with include Microchip,ALPS,ROHM,Xilinx,Pulse,ON,Everlight and Freescale. Main products comprise IC,Modules,Potentiometer,IC Socket,Relay,Connector.Our parts cover such applications as commercial,industrial, and automotives areas.

We are looking forward to setting up business relationship with you and hope to provide you with the best service and solution. Let us make a better world for our industry!



Contact us

Tel: +86-755-8981 8866 Fax: +86-755-8427 6832

Email & Skype: info@chipsmall.com Web: www.chipsmall.com

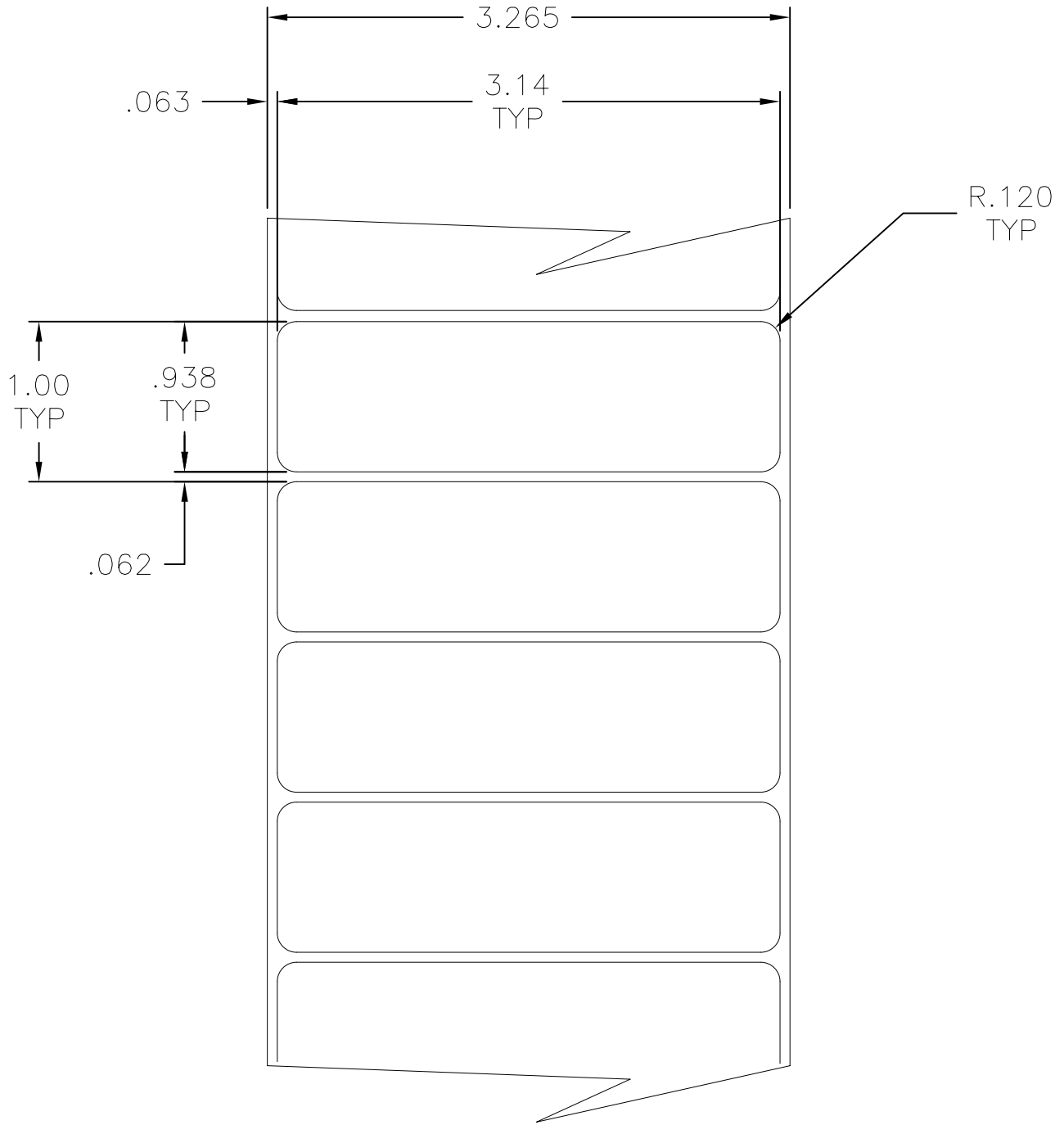
Address: A1208, Overseas Decoration Building, #122 Zhenhua RD., Futian, Shenzhen, China



PRO-TYPKZ

name	date	city, state

NOTES



2,000 WHITE LABELS PER ROLL
1 ACROSS

REVISION	D level
	W date 09/17/99
	I by AAM
	G ECN # 001482
part level A	

DIMENSIONS	.XXXX=
	.XXX= ±.010
	.XX=
	.X=
	∠=
unless otherwise specified	
units	inches

PART	number TAG77T1-101	phase PRODUCTION
	name TAG77T1-101 THERMAL TRANSFER BLANK LABEL	
	material 101 PAPER	

DRAWING	FORMAT AV version K	CAD ACAD	scale 1X
	computer file number LA/DTL/3002122A	previous number	
	drawn A.A.M.	checked K.A.C.	approved
	09/17/99	10/11/99	
type	DETAIL	sheet 1 of 1	
number	LA3002122DTL		