



Chipsmall Limited consists of a professional team with an average of over 10 year of expertise in the distribution of electronic components. Based in Hongkong, we have already established firm and mutual-benefit business relationships with customers from,Europe,America and south Asia,supplying obsolete and hard-to-find components to meet their specific needs.

With the principle of "Quality Parts,Customers Priority,Honest Operation,and Considerate Service",our business mainly focus on the distribution of electronic components. Line cards we deal with include Microchip,ALPS,ROHM,Xilinx,Pulse,ON,Everlight and Freescale. Main products comprise IC,Modules,Potentiometer,IC Socket,Relay,Connector.Our parts cover such applications as commercial,industrial, and automotives areas.

We are looking forward to setting up business relationship with you and hope to provide you with the best service and solution. Let us make a better world for our industry!



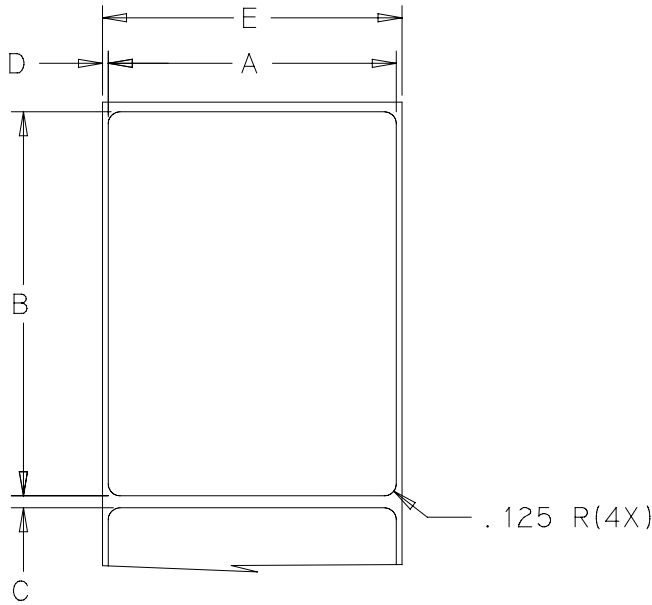
## Contact us

Tel: +86-755-8981 8866 Fax: +86-755-8427 6832

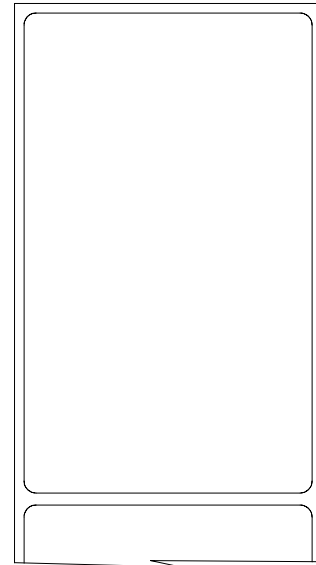
Email & Skype: info@chipsmall.com Web: www.chipsmall.com

Address: A1208, Overseas Decoration Building, #122 Zhenhua RD., Futian, Shenzhen, China

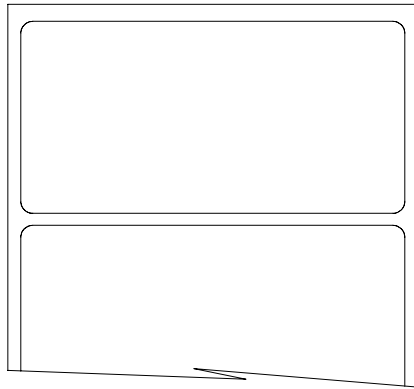




TAG78T1-795



TAG80T1-795



TAG79T1-795

PART NUMBER	A	B	C	D	E
TAG78T1-795	3.00	4.00	.125	.06	3.12
TAG79T1-795	4.00	2.00	.125	.14	4.28
TAG80T1-795	3.00	5.00	.125	.06	3.12

REVISION  
DRAWING  
level **A**  
by **AAM**  
date **10/09/98**  
ECN # **000886**  
part level **A**

DIMENSIONS  
TOLERANCES  
.XXXX = ±.0005  
.XXX = ±.005  
.XX = ±.01  
.X = ±.03  
∠ = ±0.5°  
unless otherwise specified  
units inches

PART  
number **SEE CHART** phase **PRODUCTION**  
name **TAG\_T1-795**  
**BLANK THERMAL**  
**TRANSFER LABELS**  
material **795**  
**METALIZED POLYESTER**

DRAWING  
FORMAT AV version J CAD PD scale **.5X**  
computer file number **LA\SER\3002024A** previous number  
drawn **A.A.M.** checked **10/09/98** approved  
type **SERIES** sheet **1 of 1**  
number **LA3002024SER**