



Chipsmall Limited consists of a professional team with an average of over 10 year of expertise in the distribution of electronic components. Based in Hongkong, we have already established firm and mutual-benefit business relationships with customers from,Europe,America and south Asia,supplying obsolete and hard-to-find components to meet their specific needs.

With the principle of “Quality Parts,Customers Priority,Honest Operation,and Considerate Service”,our business mainly focus on the distribution of electronic components. Line cards we deal with include Microchip,ALPS,ROHM,Xilinx,Pulse,ON,Everlight and Freescale. Main products comprise IC,Modules,Potentiometer,IC Socket,Relay,Connector.Our parts cover such applications as commercial,industrial, and automotives areas.

We are looking forward to setting up business relationship with you and hope to provide you with the best service and solution. Let us make a better world for our industry!



## Contact us

Tel: +86-755-8981 8866 Fax: +86-755-8427 6832

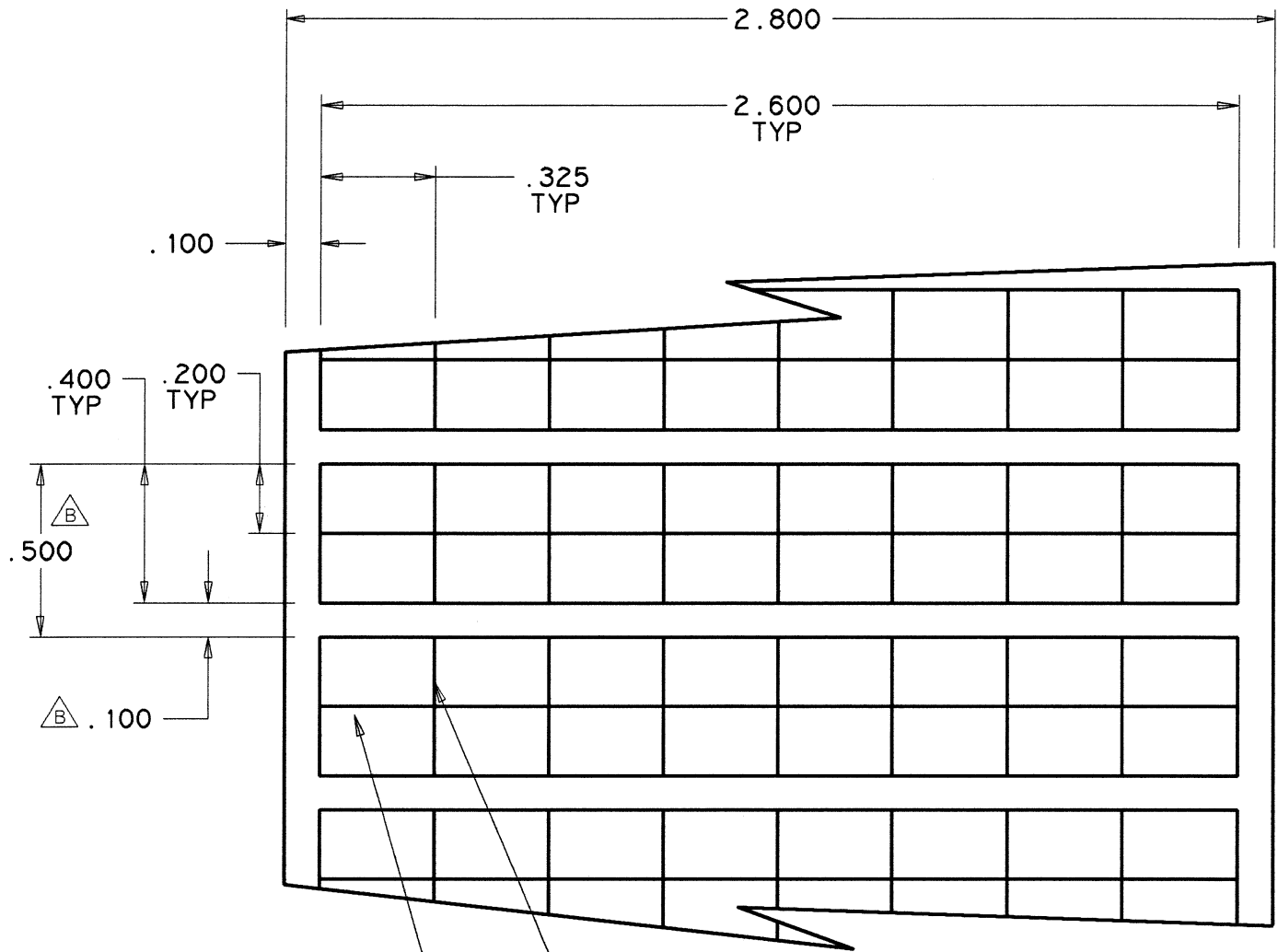
Email & Skype: info@chipsmall.com Web: www.chipsmall.com

Address: A1208, Overseas Decoration Building, #122 Zhenhua RD., Futian, Shenzhen, China



name	date	city, state

DATE



VERTICAL SLIT LINE  
TYP EVERY .325 DISTANCE

HORIZONTAL SLIT LINE  
TYP EVERY .20 DISTANCE

5000 LABELS PER ROLL  
2 ROWS OF 8 LABELS ACROSS  
ON A 3" CORE

<b>REVISION</b>	level <b>B</b>	<b>DIMENSIONS</b>	.XXXX=	<b>PART</b>	number TAG81T8-822	phase PRODUCTION	<b>DRAWING</b>	FORMAT AV version J	CAD	PD	scale 2X
	by AAM		.XXX= ±.010		name TAG81T8-822	computer file number LA\DTL\3002026B		previous number			
	date 01/27/99		.XX= ±.01		THERMAL TRANSFER	drawn A. A. M.		checked <i>lgc</i>	approved		
	ECN # 001051		.X= ±.03		BLANK LABEL	date 12/29/98		checked 1/27/99	approved		
part level A	∠= ±0.5°	unless otherwise specified	material	type DETAIL	sheet 1 of 1						
	units inches		822	number LA3002026DTL							
			WHITE POLYESTER								