



Chipsmall Limited consists of a professional team with an average of over 10 year of expertise in the distribution of electronic components. Based in Hongkong, we have already established firm and mutual-benefit business relationships with customers from,Europe,America and south Asia,supplying obsolete and hard-to-find components to meet their specific needs.

With the principle of “Quality Parts,Customers Priority,Honest Operation,and Considerate Service”,our business mainly focus on the distribution of electronic components. Line cards we deal with include Microchip,ALPS,ROHM,Xilinx,Pulse,ON,Everlight and Freescale. Main products comprise IC,Modules,Potentiometer,IC Socket,Relay,Connector.Our parts cover such applications as commercial,industrial, and automotives areas.

We are looking forward to setting up business relationship with you and hope to provide you with the best service and solution. Let us make a better world for our industry!



Contact us

Tel: +86-755-8981 8866 Fax: +86-755-8427 6832

Email & Skype: info@chipsmall.com Web: www.chipsmall.com

Address: A1208, Overseas Decoration Building, #122 Zhenhua RD., Futian, Shenzhen, China





Key Features

- Through hole mount
- Aesthetically designed
- Wide range of connector options
- RoHS compliant
- 28dBi GPS gain
- 1+2 dBi GSM gain (frequency dependant)
- Screw body mounting
- Waterproof
- IP66 rated

General Description

The Siretta Tango 6A sharks fin antenna offers an excellent quad band cellular performance coupled with an active GPS stage to provide a reliable antenna and robust body mounting antenna for all car applications.

The Tango 6A is completely waterproof and is a cost effective value design as well as being a robust design.

The Tango 6A is available in many cable lengths and all connector styles.

GPS Specifications

Impedance:	50 ohm
Peak gain:	>3dBi based on 7cmx7cm ground plane
Gain coverage:	>-4dBi -90° <0 <+90° (over 75% volume)
VSWR:	1.5:1
Centre frequency:	1575.42±3MHz
Bandwidth:	±5MHz
Polarization:	RHCP

GSM Specifications

Impedance:	50 ohm
Typical gain:	2dBi ± 1dBi @ 850MHz 2dBi± 1dBi @ 900MHz 1dBi ± 1dBi @ 1800MHz 1dBi ± 1dBi @ 1900MHz
VSWR:	2.0:1
Centre frequency:	850/900/1800/1900MHz

Rev 1.3

LNA/Filter Specifications

LNA Gain (without cable):	28dBi typical
VSWR:	<2.0
DC voltage:	2.7/3.0/3.5/5.0/3.0 to 5.0V etc
DC current:	11mA Max
Noise figure:	1.5dB
Filter out band attenuation (f0=1575.42MHz):	7dB min f0±20MHz 20dB Min f0±50MHz 30dB Min f0±100MHz

Environmental Specifications

Working temperature:	-40 ~ +85°C
Storage temperature:	-45 ~ +100°C
Vibration:	Sine sweep 1g (0-p) 10~50~10Hz each axis
Humidity:	95 ~ 100% RH
Weatherproof:	100% weatherproof
IP rating:	IP66

Gain

GSM

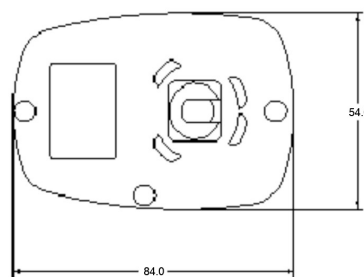
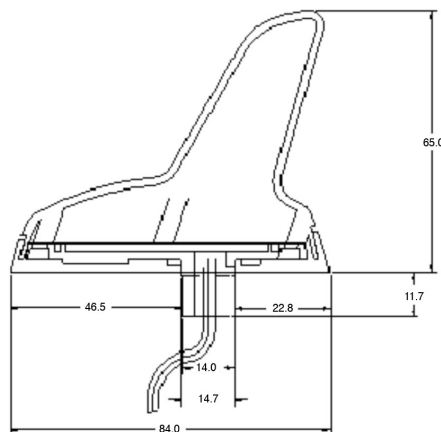
850MHz:	-1.23dBi
900MHz:	-8.85dBi
1800MHz:	-15.15dBi
1900MHz:	-7.42dBi

GPS

1575.42MHz	-6.04dBi
------------	----------

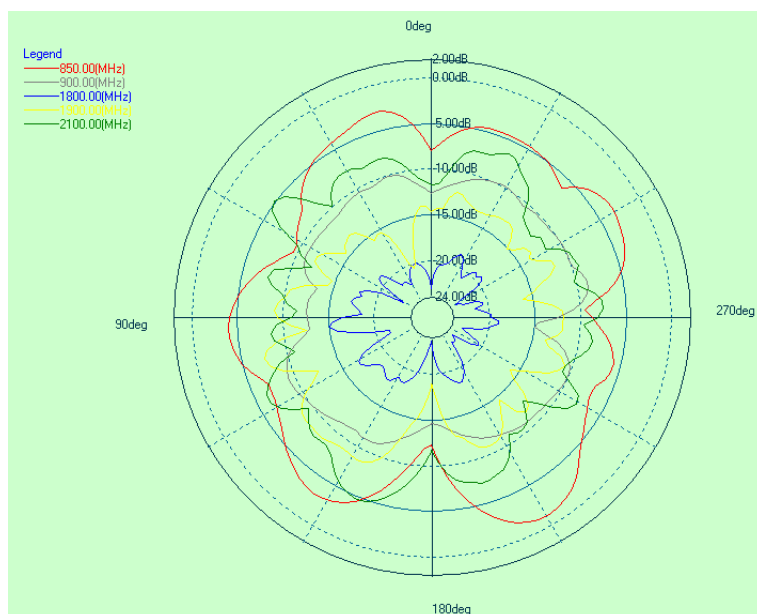
Mechanical Specifications

Dimensions:	65 x 54 x 84mm (hwl)
Cable:	Please refer to options table below
Connector:	Please refer to options table below
Mounting method:	Screw (hole/roof)



All measurements are given in mm, including rubber seal base

Gain vs. Frequency Graph



UL Tested (Basingstoke, UK)
Part: TANGO6A/4M/SMAM/SMAM/S/S/20

Ordering Details

Part Number	Description
TANGO6A/3M/FMEF/FMEF/S/S/20	Combined GSM/GPS Sharks Fin Antenna, 4m Cable, FME Female Connector
TANGO6A/4M/FMEF/SMAM/S/S/20	Combined GSM/GPS Sharks Fin Antenna, 4m Cable, FME Female Connector
TANGO6A/4M/SMAM/SMAM/S/S/20	Combined GSM/GPS Sharks Fin Antenna, 4m Cable, SMA Male Connector