



Chipsmall Limited consists of a professional team with an average of over 10 year of expertise in the distribution of electronic components. Based in Hongkong, we have already established firm and mutual-benefit business relationships with customers from,Europe,America and south Asia,supplying obsolete and hard-to-find components to meet their specific needs.

With the principle of "Quality Parts,Customers Priority,Honest Operation,and Considerate Service",our business mainly focus on the distribution of electronic components. Line cards we deal with include Microchip,ALPS,ROHM,Xilinx,Pulse,ON,Everlight and Freescale. Main products comprise IC,Modules,Potentiometer,IC Socket,Relay,Connector.Our parts cover such applications as commercial,industrial, and automotives areas.

We are looking forward to setting up business relationship with you and hope to provide you with the best service and solution. Let us make a better world for our industry!



## Contact us

Tel: +86-755-8981 8866 Fax: +86-755-8427 6832

Email & Skype: info@chipsmall.com Web: www.chipsmall.com

Address: A1208, Overseas Decoration Building, #122 Zhenhua RD., Futian, Shenzhen, China



# TAP800 Series

## 800 Watt Heat Sinkable Planar



### FEATURES

- Electric support is high alumina content ceramic metallized on the bottom for ideal heat transfer and optimum discharge.
- Encapsulated with a special resin filled epoxy casing with a large creepage distance to mass, large air distance between terminals, and a high insulation resistance (CTI 600).
- Resistive element is specially designed for low inductance and capacitance. The element provides stable performance in addition to high wattage and pulse loading capability.
- Contacts allow for easy load connecting with M4 or M5 screws (not included).
- Materials meet the requirements of UL94-V0

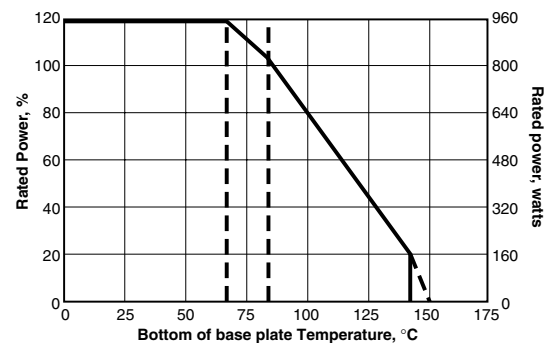
Ohmite's TAP800 Series dissipates 800 watts of power when used with a liquid or air cooled heat sink system. The Ohmite CP4 ([http://www.ohmite.com/cat/sink\\_cp4.pdf](http://www.ohmite.com/cat/sink_cp4.pdf)) is an example of properly designed heat sink. The TAP800 rounds out 600 watt (TAP600) and 1000 watt (TAP1000) product offerings. Applications include variable speed drives, power supplies, robotics, motor control, control devices, and other power designs.

### CHARACTERISTICS

<b>Resistance Values</b>	1Ω to 10KΩ
<b>Resistance Tolerance</b>	±5% to ±10%
<b>Temperature Coefficient</b>	±150ppm/°C (others upon request)
<b>Maximum Working Voltage</b>	5,000V DC, higher voltage on request, not exceeding max. power
<b>Short Time Overload</b>	1,200W at 70°C for 10sec., ΔR=0.4% max.
<b>Power Rating</b>	800W at 85°C Bottom case temperature.
<b>Peak Current</b>	up to 1500 amp. depending on pulse length and frequency Please ask for details
<b>Electric Strength Voltage</b>	6kVrms, 50Hz, upto 12kVrms on special request
<b>Single Shot Voltage</b>	up to 12kV Normwave (1.5/50 μsec)
<b>Partial Discharge</b>	4kVrms, <10pC, up to 7kV on special request
<b>Insulation Resistance</b>	10GΩ min. at 500V
<b>Creeping Distance</b>	42mm min.
<b>Air Distance</b>	14mm min.
<b>Inductance</b>	80nH
<b>Capacity/Mass</b>	110pF
<b>Capacity/Parallel</b>	40pF
<b>Operation Temperature</b>	-55°C to +150°C
<b>Max. Torque for Contacts</b>	2 Nm
<b>Max. Torque for Mounting</b>	1.8 Nm M4 screws (not included)
<b>Derating</b>	9.09W/°K (0.11°K/W)
<b>Power Rating</b>	800W at 85°C bottom case temp. This value is only valid by using a thermal conduction to the heatsink Rth-cs<0.025°K/W. This value can be reached by using thermal transfer compound with a heat conductivity of 1W/mK. The flatness of the cooling plate must be better than 0.05mm overall. The roughness of the surface should not exceed 6.4μm.

Test	Method	Typical Results ΔR
<b>Short time overload</b>	1,000 W/10sec	0.4%
<b>Humidity Steady State</b>	56 days/40°C/95%	0.25%
<b>Temp. Cycling</b>	-55/+125/5 cycles	0.20%
<b>Shock</b>	40g/4,000 times	0.25%
<b>Vibration</b>	2-500Hz/10g	0.25%
<b>Load Life</b>	Pn 30 min. on/30 min off, 1,000cyl	0.40%
<b>Terminal Strength</b>	200N	0.05%

### Derating



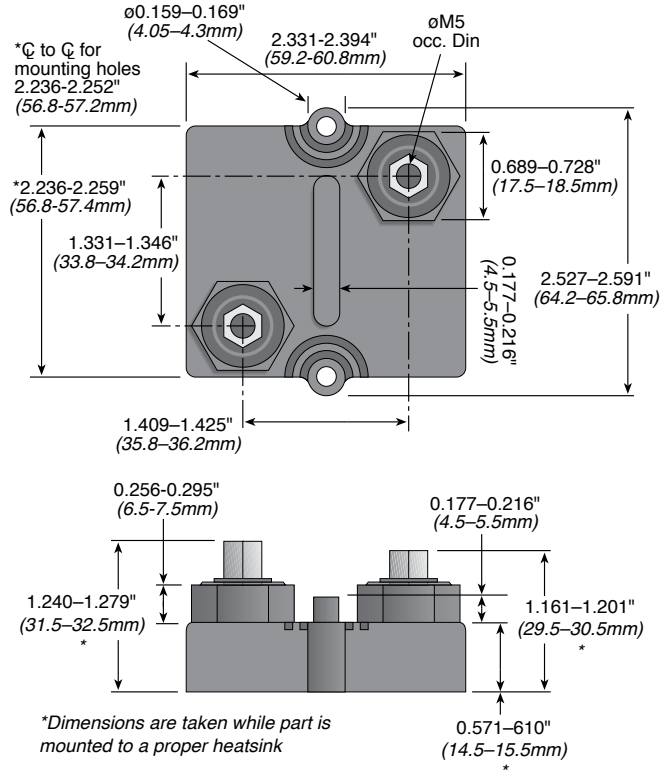
(continued)

# TAP800 Series

## 800 Watt Heat Sinkable Planar

### DIMENSIONS

(in./mm)



### ORDERING INFORMATION

RoHS compliant  
Non-compliant version  
unavailable

#### Standard Values

**TAP800K5R0E**

Style	Wattage	Tolerance	Resistance
	800 watts	J = 5%	1 Ohm = 1R0
		K = 10%, Std.	10 Ohm = 10R
		L = 20%	1000 Ohm = 1K0