



Chipsmall Limited consists of a professional team with an average of over 10 year of expertise in the distribution of electronic components. Based in Hongkong, we have already established firm and mutual-benefit business relationships with customers from,Europe,America and south Asia,supplying obsolete and hard-to-find components to meet their specific needs.

With the principle of “Quality Parts,Customers Priority,Honest Operation,and Considerate Service”,our business mainly focus on the distribution of electronic components. Line cards we deal with include Microchip,ALPS,ROHM,Xilinx,Pulse,ON,Everlight and Freescale. Main products comprise IC,Modules,Potentiometer,IC Socket,Relay,Connector.Our parts cover such applications as commercial,industrial, and automotives areas.

We are looking forward to setting up business relationship with you and hope to provide you with the best service and solution. Let us make a better world for our industry!



Contact us

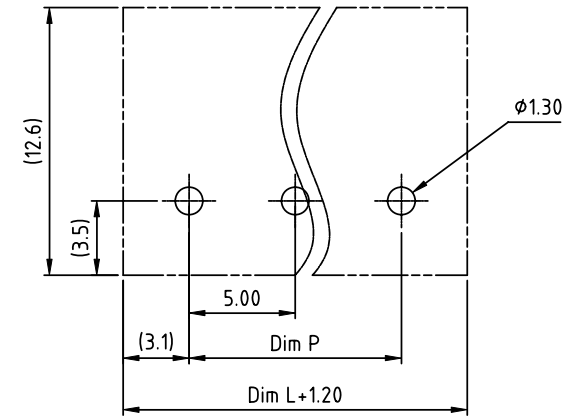
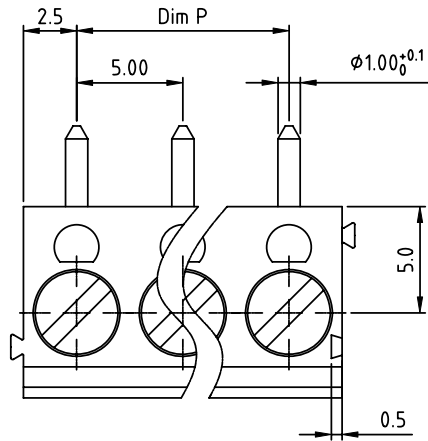
Tel: +86-755-8981 8866 Fax: +86-755-8427 6832

Email & Skype: info@chipsmall.com Web: www.chipsmall.com

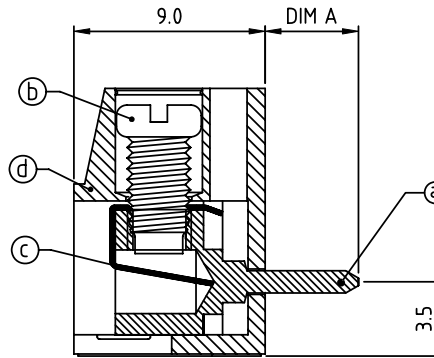
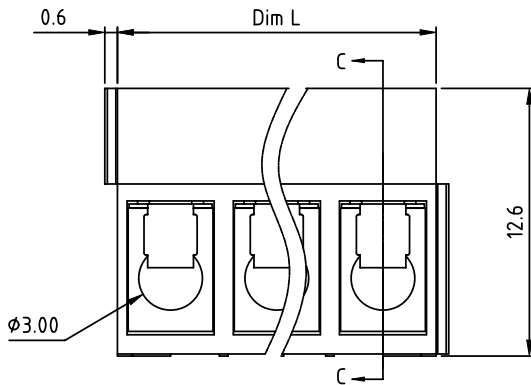
Address: A1208, Overseas Decoration Building, #122 Zhenhua RD., Futian, Shenzhen, China



PRODUCT NUMBER	PITCH
TBxx01xx00J0G	5.00mm



RECOMMENDED P.C.B LAYOUT
TOP VIEW



SECTION C-C

Material:

- Item① Terminal body(metal housing): Brass(CuZn),Tin plated
- Item② Terminal screw: Steel Zinc plating "-" slot type
- Item③ Wire guard:stainless steel
- Item④ Terminal (housing): Thermoplastic (UL94V-0)

Electrical UL /CSA

- Voltage rating: 250VAC/250VAC
- Current rating: 16A/16A
- Wire range:
- Solid wire(AWG): 14/14-22
- Stranded wire(AWG): 14/14-22
- Torque: 3.0kgf.cm/4.0kgf.cm
- Screw: M3
- Wire strip length: 6-7mm
- Withstanding Voltage: 1.5KV/1.5KV
- Operating temperature: -40°C to +115°C
- Soldering temperature: 260°C±5°C/5 Sec
- Safety Approval:

PART NO.: TB xx 01 x x 00J0 G

N=Number of poles
Dim L=Nx5.0
Dim P=(N-1)x5.0

Poles	2P-6P	7P-12P	13P-18P	19P-24P
Dim L	±0.15	±0.25	±0.35	±0.45
Dim P	±0.10	±0.15	±0.25	±0.35

End stackable	Body Color	DIM A Length	RoHS compliant
No. of poles	Black (RAL9005)	0	4.4mm (lead<4%)
02 2 poles	Red (RAL3001/D)	1	In copper Alloy
03 3 poles	Orange(RAL2011/P)	2	
...	Yellow(RAL1018/A)	3	
...	Green(RAL6018/T)	4	
24 24 poles	Blue (RAL5015/A)	5	
	Grey(RAL7035/D)	6	
	White(RAL1102)	7	
	Green(RAL6018/U)	8	

mat'l. code		surface ASME Y14.5	tolerance ASME Y14.5	projection	product family TERMINAL BLOCK
ltr	ecn no	dr	date	tolerances unless otherwise specified	title TERMINAL BLOCK
				angles MM	WIRE PROTECTOR,90D WIRE INLET
				scale	scale
		dr	EVIN ZHONG	033114	dwg no
		enrg	EVIN ZHONG	033114	sheet 1 of 1
		chr	HANKE FENG	033114	size A4
		appd	SHI JUN	033114	type CUSTOMER Drawing
sheet index	revision sheet	A	1		