



Chipsmall Limited consists of a professional team with an average of over 10 year of expertise in the distribution of electronic components. Based in Hongkong, we have already established firm and mutual-benefit business relationships with customers from,Europe,America and south Asia,supplying obsolete and hard-to-find components to meet their specific needs.

With the principle of “Quality Parts,Customers Priority,Honest Operation,and Considerate Service”,our business mainly focus on the distribution of electronic components. Line cards we deal with include Microchip,ALPS,ROHM,Xilinx,Pulse,ON,Everlight and Freescale. Main products comprise IC,Modules,Potentiometer,IC Socket,Relay,Connector.Our parts cover such applications as commercial,industrial, and automotives areas.

We are looking forward to setting up business relationship with you and hope to provide you with the best service and solution. Let us make a better world for our industry!



Contact us

Tel: +86-755-8981 8866 Fax: +86-755-8427 6832

Email & Skype: info@chipsmall.com Web: www.chipsmall.com

Address: A1208, Overseas Decoration Building, #122 Zhenhua RD., Futian, Shenzhen, China



Specification

Small Form Factor Pluggable

Simplex LC Receptacle – SFP BIDI

OLT - Bidirectional Optical Transceivers

1000BASE-BX10-D

1250Mbit/s




Ordering Information

T B S - S x C K 1 - F 1 1

Voltage / Temperature

1 : 3.3V / +0°C ~ +70°C

2 : 3.3V / -40°C ~ +85°C

Model Name	Voltage	Category	Device type	Interface	SD/LOS	Temperature	Distance	Latch Color
TBS-S1CK1-F11	3.3V	W/O DDMI	DFB / PIN	AC / AC Coupling	LVTTTL	+0°C~+70°C	10km	Blue
TBS-S2CK1-F11						-40°C~+85°C		

Features

- ROHS Compliant
- Standard Small Form Factor Pluggable Package – SFP MSA Compliant
- IEEE802.3AH 1000BASE-BX10-D Compliant
- Laser Class 1 Product – IEC60825-1 Compliant
- Standard Simplex LC Receptacle Optical Interface
- Single Fiber and Full Duplex Solution – Integrated WDM Filter
- Single + 3.3 V Power Supply
- Differential LVPECL Data Input and Output
- LVTTTL Loss of Signal
- Serial ID through I²C Interface
- Low Power Consumption

Absolute Maximum Ratings

Parameter	Symbol	Min	Typ	Max	Unit
Storage temperature	T _S	-40	--	85	°C
Supply voltage	V _{CC}	0	--	4	V
Operating Relative Humidity	--	5	--	95	%
Input voltage	V _{IN}	0	--	V _{CC}	V

Operating Conditions

Parameter	Symbol	Min	Typ	Max	Unit
Supply Voltage	V _{CC}	3.1	3.3	3.5	V
Operating Case temperature (TBS-S1CK1-F11)	T _C	0	--	70	°C
Operating Case temperature (TBS-S2CK1-F11)		-40	--	85	
Total Current (Transmitter + Receiver)	I _{CC}	--	--	300	mA

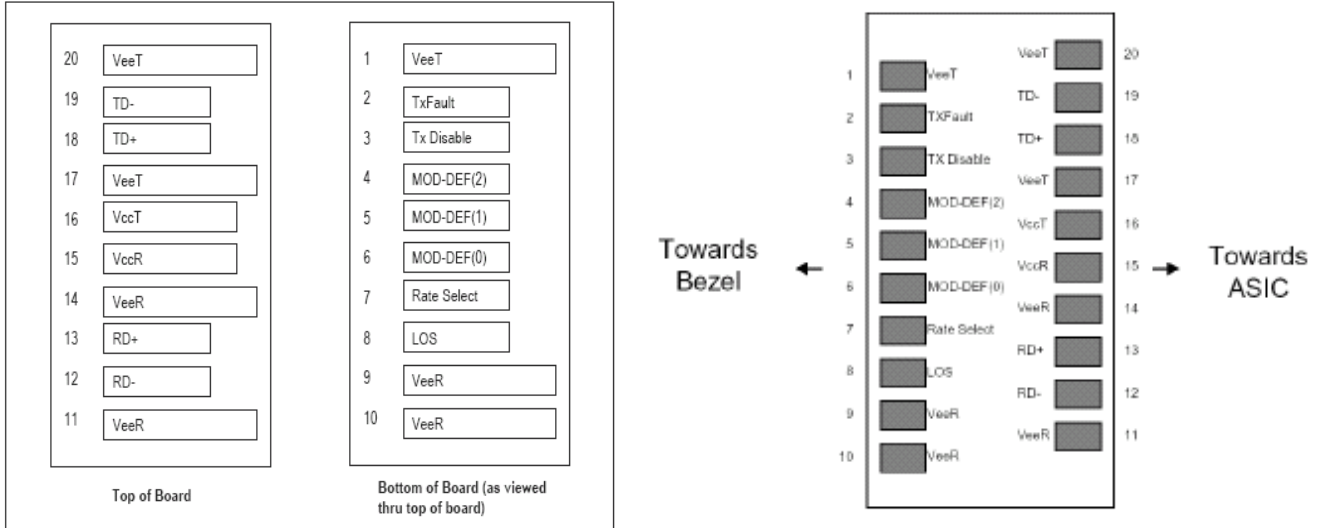
Transmitter Specifications ($V_{CC}=3.1V\sim 3.5V$; $T_C=0^{\circ}C\sim 70^{\circ}C$ / $T_C=-40^{\circ}C\sim 85^{\circ}C$)

Parameter	Symbol	Min	Typ	Max	Unit
Optical Characteristics					
Output Optical Power	P_{out}	-9	--	-3	dBm
Extinction Ratio	ER	9	--	--	dB
Center Wavelength	λ_C	1480	--	1580	nm
Spectral Width (RMS)	σ	--	--	1	nm
Side Mode Suppression Ratio	SMSR	30	--	--	dB
Rise/Fall time (20-80%)	$T_{r,f}$	--	--	260	ps
Relative Intensity Noise	RIN	--	--	-120	dB/Hz
Output Eye	Compliant with IEEE 802.3AH				
Max. P_{out} TX-DISABLE Asserted	P_{OFF}	--	--	-45	dBm
Electrical Characteristics					
Differential Input Voltage	V_{DIFF}	0.4	--	2.0	V
Tx_Disable_Input_High	V_{DISH}	2.0	--	$V_{CC}+0.3$	V
Tx_Disable_Input_Low	V_{DISL}	0	--	0.8	V
Tx_Fault_Output_High	V_{FH}	2.0	--	$V_{CC}+0.3$	V
Tx_Fault_Output_Low	V_{FL}	0	--	0.8	V

Receiver Specifications ($V_{CC}=3.1V\sim 3.5V$; $T_C=0^{\circ}C\sim 70^{\circ}C$ / $T_C=-40^{\circ}C\sim 85^{\circ}C$)

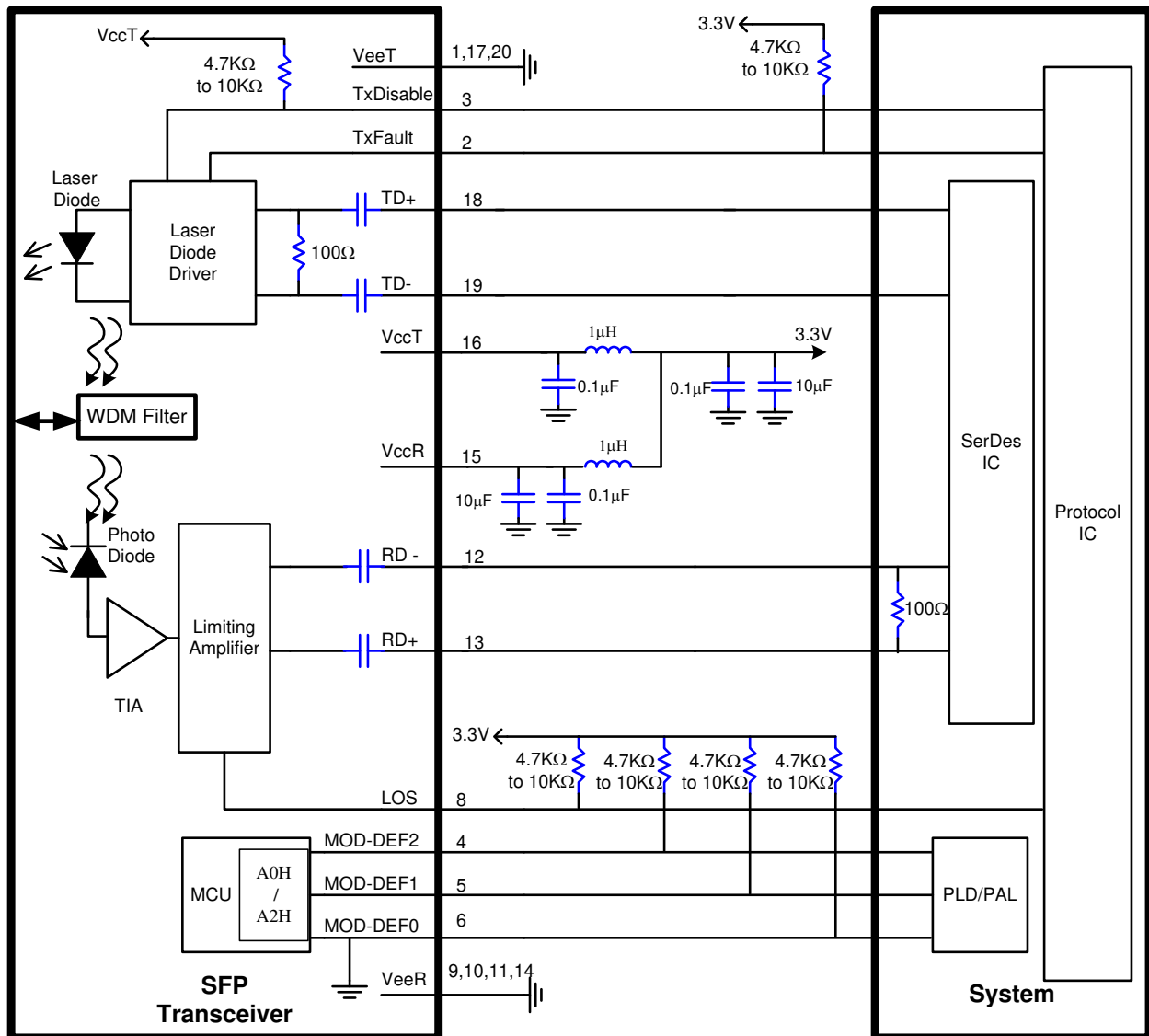
Parameter	Symbol	Min	Typ	Max	Unit
Optical Characteristics					
Optical Input Power-maximum	P_{SATIN}	-3	--	--	dBm
Receiver Sensitivity (PRBS= 2^7-1 ; BER $\leq 10^{-12}$)	P_{SAN}	--	--	-21	dBm
Operating Center Wavelength	λ_C	1260	--	1360	nm
Optical Return Loss	ORL	14	--	--	dB
Loss of Signal – De-asserted	P_{LD}	--	--	-21	dBm
Loss of Signal - Asserted	P_{LA}	-45	--	--	dBm
Loss of Signal - Hysteresis	P_{LH}	0.5	--	6	dB
Electrical Characteristics					
Differential Output Voltage	V_{DIFF}	0.4	--	2.0	V
Receiver Loss of Signal Output Voltage -Low	V_{LOSL}	0	--	0.8	V
Receiver Loss of Signal Output Voltage -High	V_{LOSH}	2	--	$V_{CC}+0.3$	V

Pin Definition and Descriptions



Pin	Name	Input/Output Level	Description
1	VeeT	Input	Transmitter ground
2	TxFault	Output/LVTTL	Laser failure indication. High level indicates "laser failure". Externally pulled up
3	TXDisable	Input/LVTTL	Transmitter disable, High signal/open disables TX laser output. Low level enables TX output, internally pulled up.
4	MOD-DEF(2)	Input/output	Module definition 2, SDA, Data line for I2C bus. Externally pulled up
5	MOD-DEF(1)	Input	Module definition 1, SCL, Clock for I2C bus. Externally pulled up
6	MOD-DEF(0)	Output	Module definition 0, Module present. Ground inside module.
7	Rate Select	-	No connection.
8	LOS	Output/LVTTL	Receiver loss of signal indication. Low signal indicates optical signal is present at RX input. Should be Externally pulled up.
9	VeeR	Input	Receiver ground
10	VeeR	Input	Receiver ground
11	VeeR	Input	Receiver ground
12	RD -	Output/CML	Inverted receiver data output (AC coupled)
13	RD +	Output/CML	Non-inverted receiver data output (AC coupled)
14	VeeR	Input	Receiver ground
15	VccR	Input	Receiver power supply
16	VccT	Input	Transmitter power supply
17	VeeT	Input	Transmitter ground
18	TD +	Input/LVPECL	Non-inverted transmitter data input (AC coupled)
19	TD -	Input/LVPECL	Inverted transmitter data input (AC coupled)
20	VeeT	Input	Transmitter ground

Recommended Circuit Diagram



Content in 2-Wire Address A0H

Address	HEX	Name of Field	Description
00	03	Identifier	SFP
01	04	Extended Identifier	SFP
02	07	Connector type	LC
03	00	Infiniband Compliance Codes	Not compliant
04	00	SONET Compliance Codes	Not compliant
05	00	SONET Compliance Codes	Not compliant
06	40	Ethernet Compliance Codes	BASE-BX10
07	00	Fiber Channel link length	Not compliant
08	00	Fiber Channel transmitter technology	Not compliant
09	00	Fiber Channel transmission media	Not compliant
10	00	Fiber Channel speed	Not compliant
11	01	Encoding codes:	8B/10B
12	0D	Nominal Bit Rate (units of 100Mbps)	1300Mbps
13	00	Rate identifier	Unspecified
14	0A	Link length supported for 9um fiber	10 (units of km)
15	64	Link length supported for 9um fiber	100 (units of 100m)
16	00	Link length supported for 50um,OM2	N/A (units of 10m)
17	00	Link length supported for 62.5um,OM1	N/A(units of 10m)
18	00	Link length supported for copper	N/A (units of 1m)
19	00	Link length supported for 50um,OM3	N/A (units of 10m)
20 ~ 35	46,4F,52,4D,45,52,49,43 ,41,4F,45,20,20,20,20,20	Vendor Name	FORMERICA OE
36	00	Unallocated	
37 ~ 39	00,00,00	Vendor OUI	Unspecified
40 ~ 55	54,42,53,2D,53,31(32),43,4B,31, 2D,46,31,31,20,20,20	Part Number	TBS-S1(2)CK1-F11
56 ~ 59	00,00,00,00	Vendor Revision number	Unspecified
60 ~ 61	06,0E	Laser Wavelength	1550nm
62	00	Unallocated	
63		CC_BASE:	Check sum of byte 0 ~ 62
64	00	Options	
65	1A	Options	TX-DIS, TX_FAULT, RX-LOS
66	00	Bit Rate, max.	Unspecified
67	00	Bit Rate, min.	Unspecified
68 ~ 83	Serial Number	Serial Number	
84 ~ 89	yy/mm/dd	Date Code	
90 ~ 91	20,20	Vendor specific lot code	Unspecified
92	00	Diagnostic Monitoring Type	W/O DDMI
93	00	Enhanced Options (soft)	Unallocated
94	00	SFF-8472 Compliance	Not Included
95		CC_EXT	Check sum of byte 64 ~ 94
96~127		Vendor specific	

Mechanical Outlines

(Unit : mm)

