



Chipsmall Limited consists of a professional team with an average of over 10 year of expertise in the distribution of electronic components. Based in Hongkong, we have already established firm and mutual-benefit business relationships with customers from,Europe,America and south Asia,supplying obsolete and hard-to-find components to meet their specific needs.

With the principle of “Quality Parts,Customers Priority,Honest Operation,and Considerate Service”,our business mainly focus on the distribution of electronic components. Line cards we deal with include Microchip,ALPS,ROHM,Xilinx,Pulse,ON,Everlight and Freescale. Main products comprise IC,Modules,Potentiometer,IC Socket,Relay,Connector.Our parts cover such applications as commercial,industrial, and automotives areas.

We are looking forward to setting up business relationship with you and hope to provide you with the best service and solution. Let us make a better world for our industry!



Contact us

Tel: +86-755-8981 8866 Fax: +86-755-8427 6832

Email & Skype: info@chipsmall.com Web: www.chipsmall.com

Address: A1208, Overseas Decoration Building, #122 Zhenhua RD., Futian, Shenzhen, China





aerospace
climate control
electromechanical
filtration
fluid & gas handling
hydraulics
pneumatics
process control
sealing & shielding



Engineered Custom Injection Molded Plastic Solutions



Customer Responsibility and Offer of Sale Statement

CUSTOMER RESPONSIBILITY



WARNING – USER RESPONSIBILITY

FAILURE OR IMPROPER SELECTION OR IMPROPER USE OF THE PRODUCTS DESCRIBED HEREIN OR RELATED ITEMS CAN CAUSE DEATH, PERSONAL INJURY AND PROPERTY DAMAGE.

- This document and other information from Parker-Hannifin Corporation, its subsidiaries and authorized distributors provide product or system options for further investigation by users having technical expertise.
- The user, through its own analysis and testing, is solely responsible for making the final selection of the system and components and assuring that all performance, endurance, maintenance, safety and warning requirements of the application are met. The user must analyze all aspects of the application, follow applicable industry standards, and follow the information concerning the product in the current product catalog and in any other materials provided from Parker or its subsidiaries or authorized distributors.
- To the extent that Parker or its subsidiaries or authorized distributors provide component or system options based upon data or specifications provided by the user, the user is responsible for determining that such data and specifications are suitable and sufficient for all applications and reasonably foreseeable uses of the components or systems.

OFFER OF SALE

The items described in this document are hereby offered for sale by Parker Hannifin Corporation, its subsidiaries or its

authorized distributors. This offer and its acceptance are governed by the provisions stated in the detailed "Offer of Sale" elsewhere in this

document or available at www.chomerics.com or www.parker.com.

Parker Chomerics Capabilities include:

PLASTIC INJECTION MOLDING

- PREMIER® and other filled electrically conductive plastics
- Traditional thermoplastics
- EMI and cosmetic coating services
- EMI and environmental gasket integration
- Assembly, pad printing, hot stamping, welding and heat staking
- Insert molding, two-shot molding and overmolding capability

THERMAL MANAGEMENT & CONTROL

- Thermally conductive gap filler pads
- Dispensed thermal gap fillers
- Silicone-free thermal pads
- Phase-change materials (PCM)
- Polymer solder hybrids (PSH)
- Dispensable thermal compounds
- Thermal grease and gels
- Insulator pads
- Thin flexible heat spreaders
- Custom integrated thermal/EMI assemblies

EMI SHIELDING & COMPLIANCE

- Conductive elastomers – molded, extruded, and form-in-place (FIP)
- Conductive foam based gaskets – fabric-over-foam and z-axis foam
- Conductive compounds – adhesives, sealants and caulks
- RF and thermal/RF absorbing materials
- EMI shielding plastics and injection molding services
- Coatings – direct metallization and conductive paints
- Metal gaskets – Springfingers, metal mesh and combination gaskets
- Foil laminates and conductive tapes
- EMI shielding vents – commercial and military honeycomb vents
- Shielded optical windows
- Cable shielding – ferrites and heat-shrink tubing/wire mesh tape/zippered cable shielding
- Compliance and safety test services

OPTICAL DISPLAY PRODUCTS

- EMI shielding filters (conductive coating & wire mesh)
- Ant-reflective/contrast enhancement filters
- Plastic or glass laminations
- Hard coated lens protectors
- Touch screen lenses

METAL HOUSINGS

- Machined
- Stampings
- Die castings

About Parker Hannifin Corporation

With annual sales of \$10 billion for fiscal year 2010, Parker Hannifin is the world's leading diversified manufacturer of motion and control technologies and systems, providing precision-engineered solutions for a wide variety of commercial, mobile, industrial and aerospace markets.

The company's products are vital to virtually everything that moves or requires control, including the manufacture and processing of raw materials, durable goods, infrastructure development and all forms of transport. Traded on the New York Stock Exchange under the symbol "PH," Parker is strategically diversified, value-driven and well positioned for global growth as the industry consolidator and supplier of choice.

Parker Webster Plastics Solutions

Some of the today's most innovative products depend on highly advanced materials and methods of manufacturing. Many of these materials and methods are well established in some markets; however new markets are being transformed every day with the introduction of more advanced technology. Many new successful products have achieved this high level of innovation through the use of advanced engineered resins and injection molding technology. This brochure is intended to assist engineers and decision makers on the nature of these possibilities, and how Parker Chomerics is uniquely capable of meeting these demanding needs.

Engineering Advanced Plastic Solutions

The use of highly engineered resins and its resulting "Metal Replacement Technology" requires technical familiarity with both plastics and metals technologies. Parker Chomerics engineers are experienced with the requirements needed when designing a part for metal replacement. We can assist in guiding you through a thermoplastic solution that will successfully meet the performance requirements of the metal parts they are designed to replace, and in some cases even surpass the original design.



Integrating Multiple Metal Parts into a Singular Plastic Component

Two of the most significant benefits derived from injection molding technology are flexibility and simplification for manufacturability, both leading to dramatic cost reductions while retaining or enhancing product performance.

An assembly of multiple metal parts for example, may lend itself to be re-engineered as one plastic component. Instead of multiple metal parts that may require machining, assembly or painting. Our team has enabled customers to achieve a single, lightweight, cost-effective replacement package, quite often with unparalleled cost savings.

Markets

Parker Chomerics, Webster Plastics Business Unit product markets include:

- Automotive/Transportation
Accumulator pistons, plastic cylinder head covers, lumbar support, vent caps, wiper pivot housings...
- Telecom/IT
infrastructure, power supply, routers, servers...
- Consumer/Appliance
Home security, hand tools
- Industrial/Safety/Electronics
- Military/Aerospace
- Industrial
- Medical

Parker Webster Engineering Commitment

Since its very creation in 1946, Webster Plastics focused on innovation and total commitment to the customer. The company has never outgrown the premise that has, for over sixty years, brought success to our customers, one innovative engineering solution at a time.

Today, Parker Chomerics' Webster Plastics provides premier plastics injection molding and engineering support capabilities.

Our client roster ranges from giant global mass-producers, to short-run specialized product manufacturers. All are equally demanding and all are afforded the highest quality services at all times.

It is our resolve to explore and to innovate that makes Parker Chomeric's Webster Plastics a very unique company...a company that stands above the rest.



Engineering

- Single Point Authority
- Concept to Production
- Design Consultation
- Mold Flow Analysis
- Metal to Plastic Conversion
- Parts Consolidation
- Material Selection
- Design for Manufacturing/ Assembly
- Advanced Quality – FMEA/DOE

Manufacturing

- Advanced Statistical Process ControlMachines
- 22 – 1000 Ton Capacity
- 24 hour operation
- Shot size: 1 gram to 10 lbs. (4.54 kg)
- In-House Tool Room, Debug & Repair
- Cellular-Organized Manufacturing
- Automation/Robotic Systems
- Closed-Loop Material Control
- Complete Assembly Operations
- Two-Shot Molding
- Insert Molding
- TS 16949
- ISO and advanced certifications

Parker Webster Engineering Partnership

Proven Record of Reducing Our Customer's Total Cost of Ownership

- Innovative Engineering and Manufacturing Solutions
- Real-time Process Monitoring
- State-of-the-Art Closed Loop Material Delivery System

Engineering Services

- Design Consultation
- Solid Model Geometry
- Mold Flow Analysis
- Program Management
- Advance Product Quality Planning
- Global Supply Chain
- Limited and High Production
- Internal Debug Capability
- Process & Inspection
- Process Parameters by DOE
- Engineered Material Experience
- Testing
- Formulation and Compounding
- PPAP and PSO Documentation

Design for Manufacturing/ Assembly Expertise

We partner with our customer to develop a robust injection moldable product design.

Tooling Strategy

After developing a robust design we work with our tooling suppliers to get accurate quotes tailored to the customer's program requirements.

Production Strategy

In support of the tooling strategy, we review the program requirements to evaluate the necessary manufacturing equipment to offer the customer the most cost competitive and lean work cell.

Core Team For Every Project

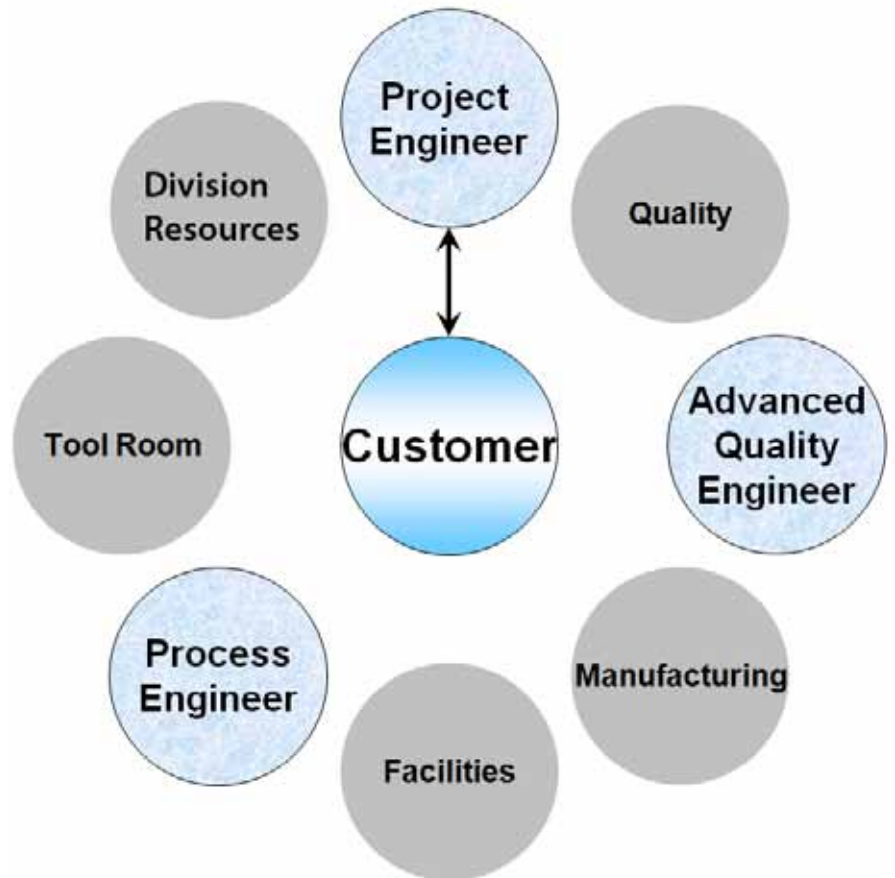
All programs are managed by following the APQP process. This process ensures proper management of all quality, tooling, ancillary equipment, facility requirements, raw materials, and customer specified requirements.

The core team consists of a project engineer (customer's single point of contact), manufacturing engineer, and advanced quality engineer. In support of this team are members from Production Quality, Tool Room,

Manufacturing, Facilities, and Lean Manufacturing teams.

Throughout the development cycle many procedures are followed to ensure the most capable manufacturing process.

- Scientific Injection Molding Process Establishment
- Dimensional Layouts
- Tool steel debug based on robust molding process
- Capability Studies
- Process Monitoring Control Limits



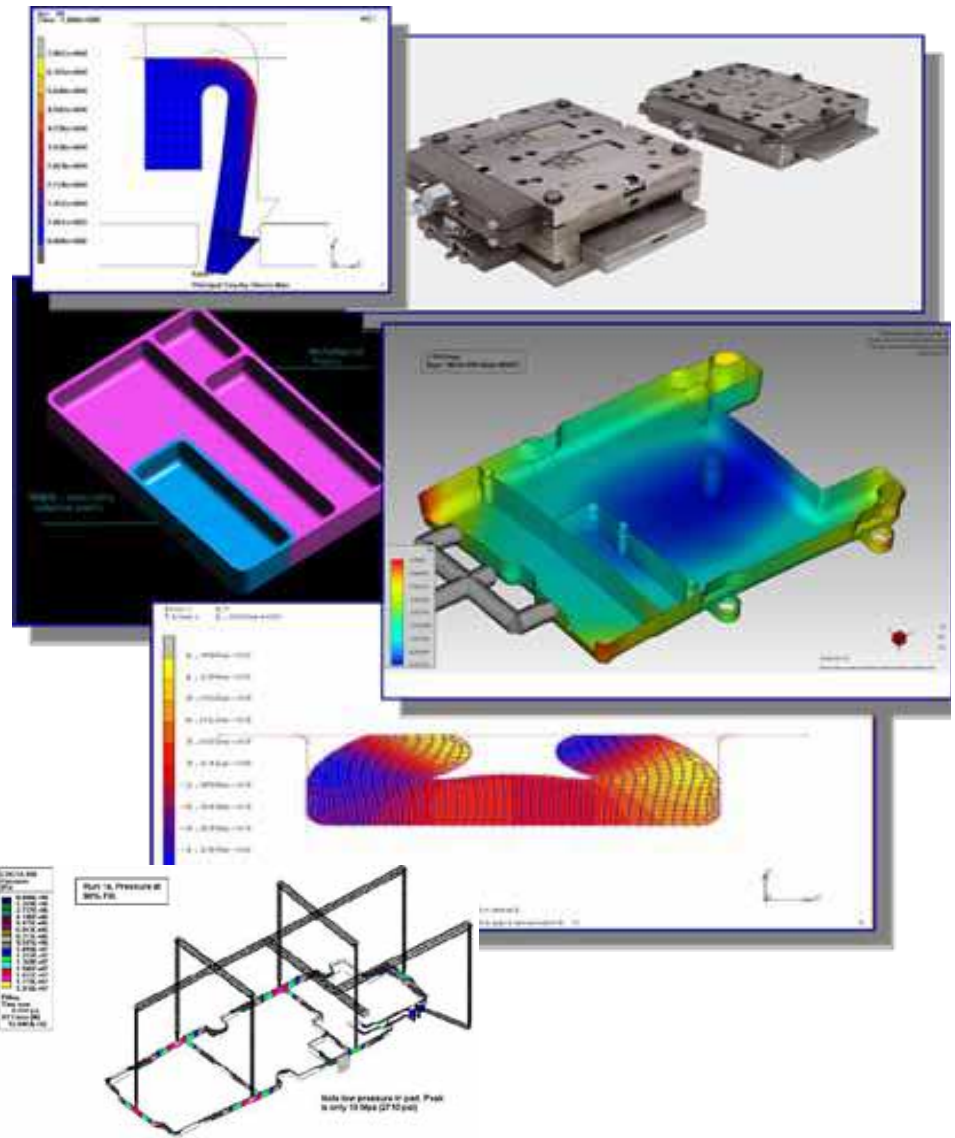
Parker Webster Engineering Partnership

Mold Flow Analysis

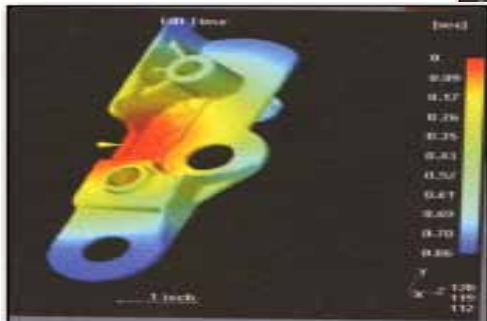
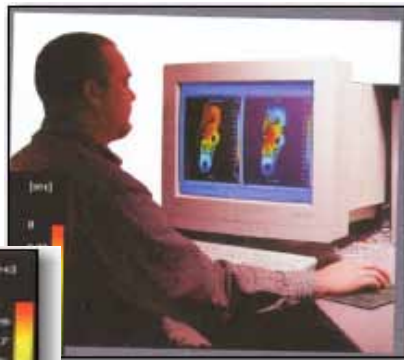
Mold flow analysis allows us to create simulated 3-D material flow patterns for injection molded parts.

We can graphically and statistically visualize flow rates, pressure and temperature values throughout the entire part before it is molded.

This invaluable tool helps us adjust the molding process by relocating entry gates and compensating for variable pressures or cooling rates that can cause warpage or uneven shrinkage. It also alerts us if a plastic part design has to be modified to assure the part's strength and integrity. The result is less waste, faster development and more efficient production rates.



Engineers can simulate actual molding processes. The analysis is used to design the optimum part and mold configuration.



Simulated mold flow image shows areas of varying temperatures and pressures, helping engineers design the most efficient mold.

Parker Webster High-Efficiency Manufacturing Capabilities

Our manufacturing capability is enhanced by the following:

- Purpose built facility designed for Injection molding
- Closed Loop Central material feed system for lean manufacturing
- Five 40,000 LB Silos for high volume material storage
- Integrated Real-Time Process Monitoring
- Equipment Predictive / Preventive Maintenance tied to Process Monitoring
- Comprehensive Machine size range – 22 ton to 1,000 ton
- Cellular Manufacturing with automated assembly and testing (where required)
- Value Add – Pad printing, vibration / ultrasonic welding, testing, hot stamping, heat staking, press fitting, assembly

Advanced Closed-Loop Materials Delivery System

Webster Plastics has the resources in place to assure strict adherence to your specific material requirements.

Our centralized raw material processing system cleans, conditions and automatically delivers precise blends of raw material to each injection molding machine.

A super-efficient micro filter system traps dust and fine particles and measures the proper proportion of regrind allowable.

This centralized delivery system assures the raw material is consistently introduced in its optimum condition for the best possible results in the injection molding process.

When we mold high-tolerance, high-performance parts, you can be certain they are molded of 100% high-performance thermoplastics, 100% of the time.



Central Material Feed System

- Material delivery direct from Silo, Barrel, or Dryer
- 22 dryers with capacity from <100 to 1,200 pounds
- Closed loop management of regrind

Extensive Molding Capabilities

- Injection Molding Presses: > 40
- Clamp Forces: 22 to 1000 Ton
- Part Weights: 1 gm to 10 lbs
- Methods: Insert, Two-shot, and Vertical Molding

Process 300 Grades of Resin Including:

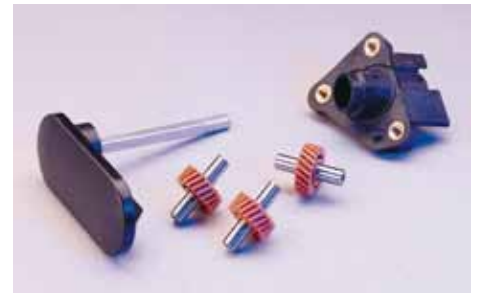
- PEEK
- PEI-Ultem
- PPA-Amodel
- PPS-Ryton/Fortron
- PAA-Ixef
- LCP
- POM-Acetals
- PA-Nylons
- Premier
- PC, PC/ABS, HDPE, HIPS, etc.



Value-Added Operations



Ultrasonic welding



Overmolding



Pad printing



Vibration welding, Heat staking

Parker Webster Monitoring, Quality, and Special Capabilities

24/7 Real-time Monitoring of Every Shot

- Immediate notification of a potential problem.
- Exceeding control limits results in alarms and automatic parts diversion via reversing conveyors
- Control limits developed with DOE's during qualification stage
- Measures process parameters, not finished parts
- Six sigma quality is achievable
- Used as predictive maintenance tool for processing equipment

Quality

- TS16949 / ISO 9001 quality system
- ISO 14001
- Automatic part separation tied into Integrated Process Monitoring
- Tool PM initiated by automated cycle count

Special Capabilities

Large Parts Manufacturing

Molding large parts presents a unique challenge. Our 1000 ton closed-loop injection molding machines are equipped with the latest state-of-the-art computerized process control systems, including all necessary peripheral accessories. In addition, to assure an uncontaminated supply of raw material, we use a closed-loop material handling system.

Two Shot Molding

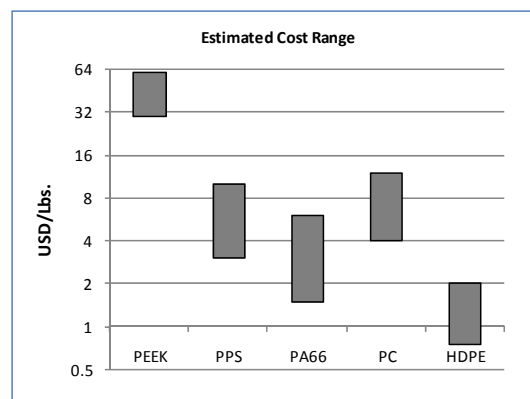
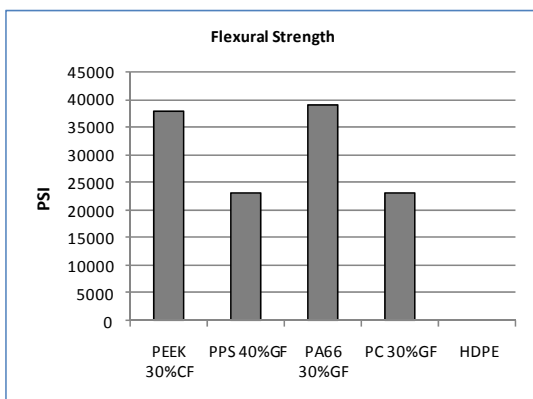
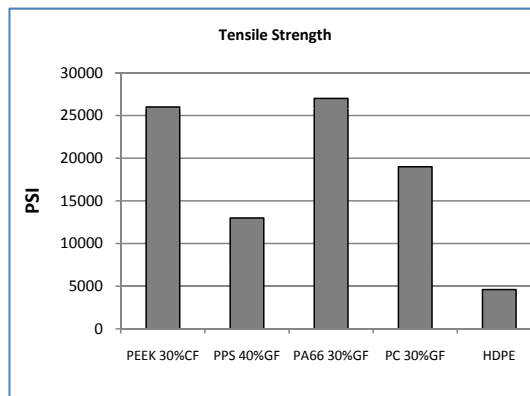
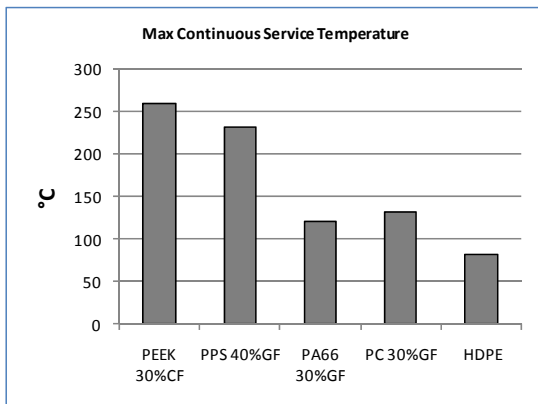
Two-shot molding allows industrial designers a wider latitude in introducing more features and improving consumer appeal. Multiple materials are molded in one operation to provide not only form and function, but efficiency and economy to consumer, medical, automotive, office automation and telecommunications products. An unlimited combination of materials and colors can be used, for a wide variety of effects including translucent materials in backlight applications.



Competitive Advantage Guide

Competition	Advantages of Plastic Injection Molding
Diecasting	<ul style="list-style-type: none"> Significantly lower tool investment over life of program Improved dimensional capability Reduce/Eliminate secondary operation Weight reduction
Stamped/Formed Metal	<ul style="list-style-type: none"> Increased design freedom Increased material choices Chemical/Corrosion resistance Integration of components
Machined	<ul style="list-style-type: none"> Reduced Piece Cost Reduced raw material waste Shorter production lead time Chemical/Corrosion resistance Weight reduction
Multi Part Assembly	<ul style="list-style-type: none"> Net molded parts Reduce/Eliminate secondary operations Increased productivity Integration of components Improved quality
Plastic Components with EMI Requirements	<ul style="list-style-type: none"> Reduce/Eliminate secondary operations (Paint, Plating, Metalizing, Laminates...) Reduced piece cost No risk of delaminating Supply chain reduction
Custom Molders	<ul style="list-style-type: none"> Integrated Process Monitoring Closed Loop Material Feed System Material Experience Machine size range Complete engineering support

General Material Data



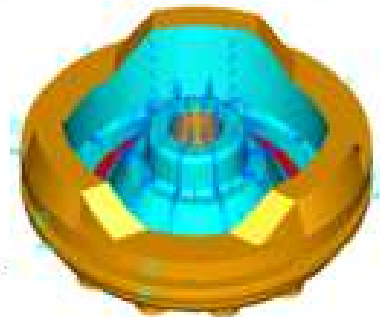
Case Study #1 - Transmission Solution

Situation	Customer's Unmet Needs	Solution/Benefits
<p>Product</p> <ul style="list-style-type: none"> Accumulator Piston <p>Customer's competition</p> <ul style="list-style-type: none"> Die cast, with secondary machined aluminum <p>Application Data</p> <ul style="list-style-type: none"> 300°F Transmission Fluid 122 psi on spring side 70 to 420 psi on face side 	<ul style="list-style-type: none"> Low Cost Labor intensive assembly method End of line test failures due to improper installation and cut D-rings Insufficient flow of oil 	<p>Parker Chomerics Plastics Solution:</p> <ul style="list-style-type: none"> Eliminate secondary machining operations by producing a net shaped plastic part. In-line automated assembly of Parker D-ring onto piston. Automated 100% inspection of installed D-ring for size and proper installation. Enhanced oil flow channels <p>Quantifiable Customer Benefits:</p> <ul style="list-style-type: none"> Reduce total cost of ownership for customer Elimination of end of line testing failures Improved performance

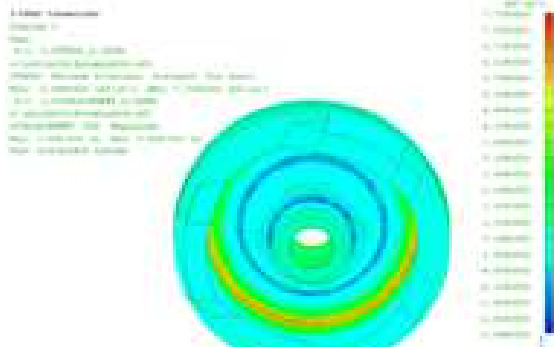
Die Cast Design



Application Evaluation



Finite Element Analysis



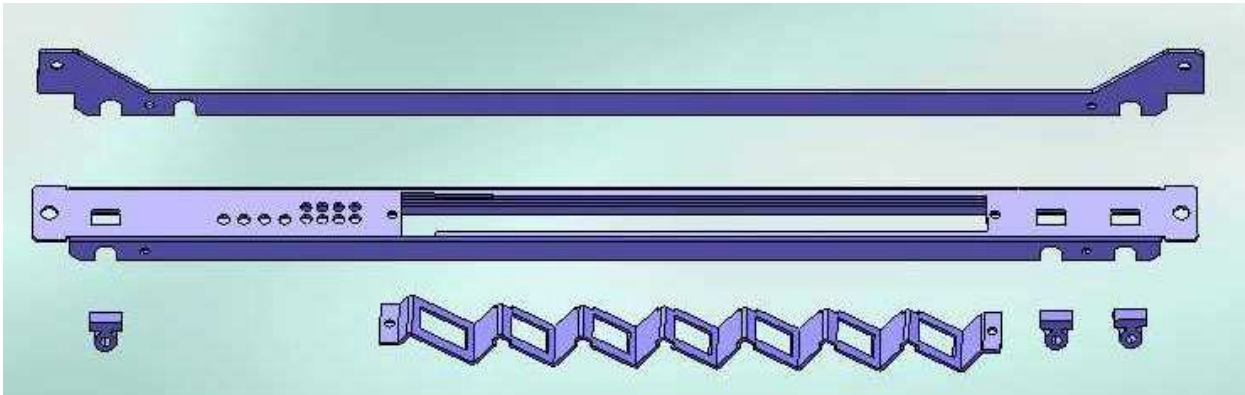
Current Plastic Design



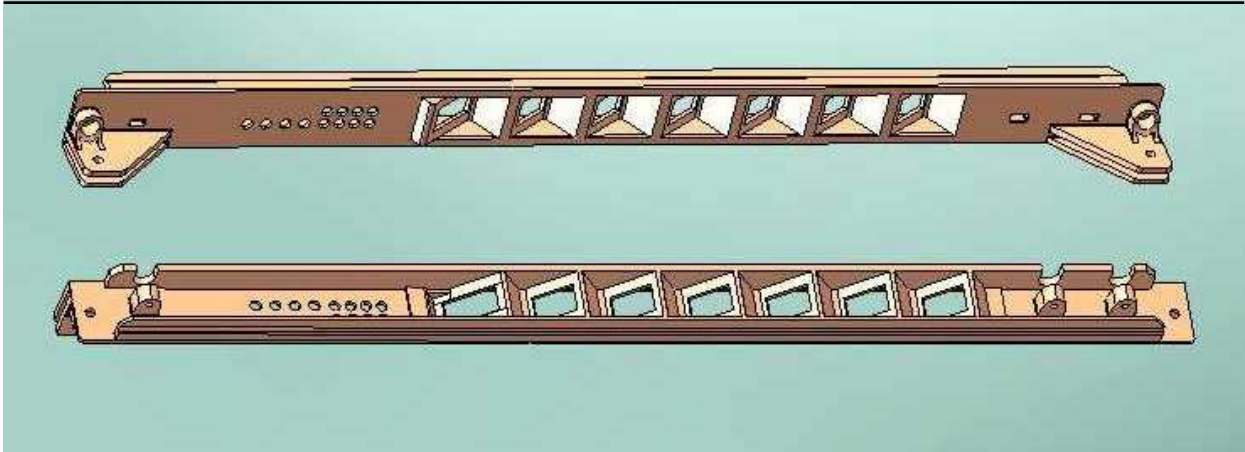
Case Study #2 - Premier Team – Innovative Solutions

Situation	Customer's Unmet Needs	Solution/Benefits
<p>Product</p> <ul style="list-style-type: none"> 7 & 4-Port Optical faceplate <p>Current State</p> <ul style="list-style-type: none"> 6 metal pieces, welded together with extensive skilled labor costs and quality control requirements Labor-intensive assembly <p>Application Data</p> <ul style="list-style-type: none"> EMI shielding Serviceability requirements RoHS Compliant 	<ul style="list-style-type: none"> Low Cost Labor intensive assembly method Reduce purchasing and inventory costs for multiple parts Reduce lead-time, system build-to-ship 	<p>Parker Chomerics Plastics Solution:</p> <ul style="list-style-type: none"> Consolidated 6 metal pieces into 1 thermoplastic molded part <p>Quantifiable Customer Benefits:</p> <ul style="list-style-type: none"> Reduced component cost Eliminated faceplate assembly labor Reduced inventory/purchase/handling costs Shorter lead-time, system build-to-ship Premier solution is significant cost reduction vs. sheet metal & welded assembly

Multiple Metal Components, Welded Together



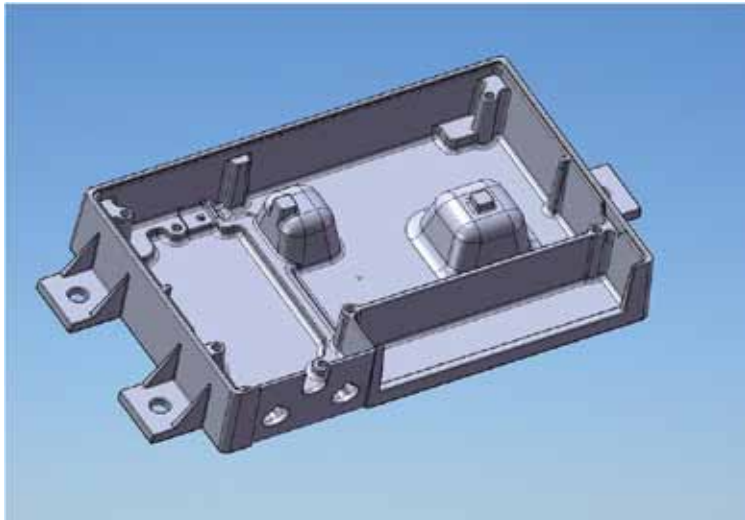
Single Shot, Molded Part



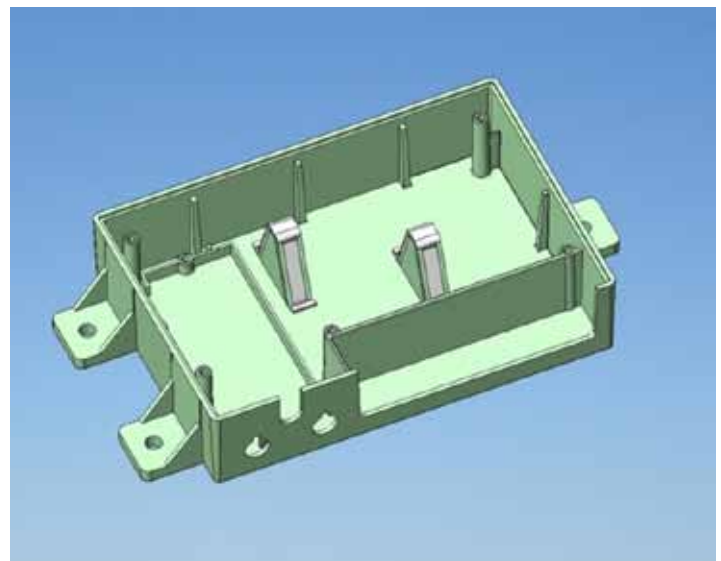
Case Study #3 - Injection Molding Solution

Situation	Customer Unmet Needs	Solution/Benefits
<p>Product</p> <ul style="list-style-type: none"> Telematics Housing <p>Current State</p> <ul style="list-style-type: none"> Thick walled diecasting Secondary machining for threads and side pulls <p>Application Data</p> <ul style="list-style-type: none"> EMI Shielding Thermal management Secure, mount, protect electronics 	<ul style="list-style-type: none"> Improve economics, while providing: <ul style="list-style-type: none"> - Appropriate levels of EMI Shielding - Appropriate levels of thermal management - Weight reduction Meet aggressive price targets 	<p>Parker Chomerics Plastics Solution:</p> <ul style="list-style-type: none"> Replace die-cast part with an injection molded plastic part Resin based solution, or secondary metalizing process (vacuum metalized, plating, or painting), to achieve advanced EMI Shield performance Thermal management achieved by overmolded integrated heat sinks <p>Quantifiable Customer Benefits:</p> <ul style="list-style-type: none"> Reduce total cost of ownership for customer Reduction in lead-time

Die-Cast with Secondary Operations.

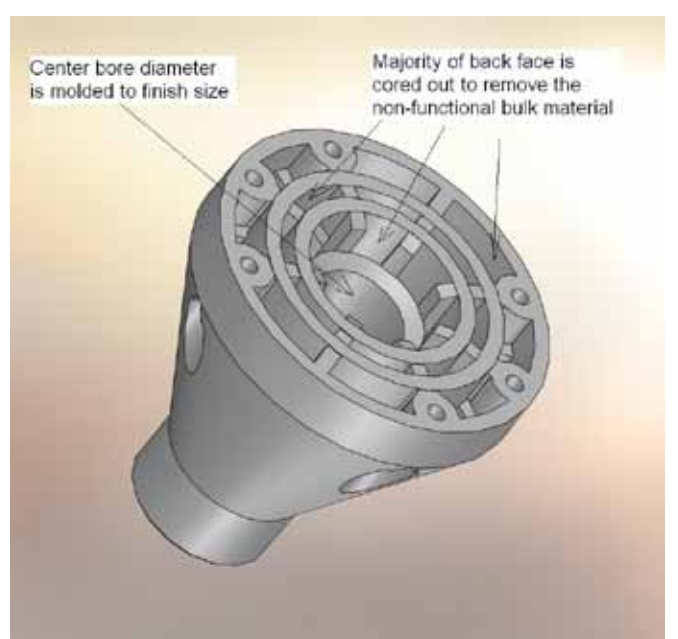
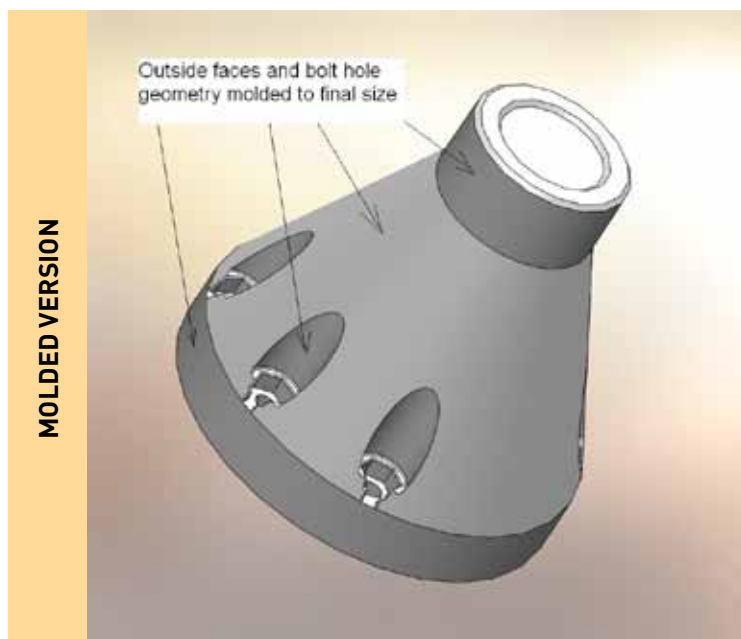
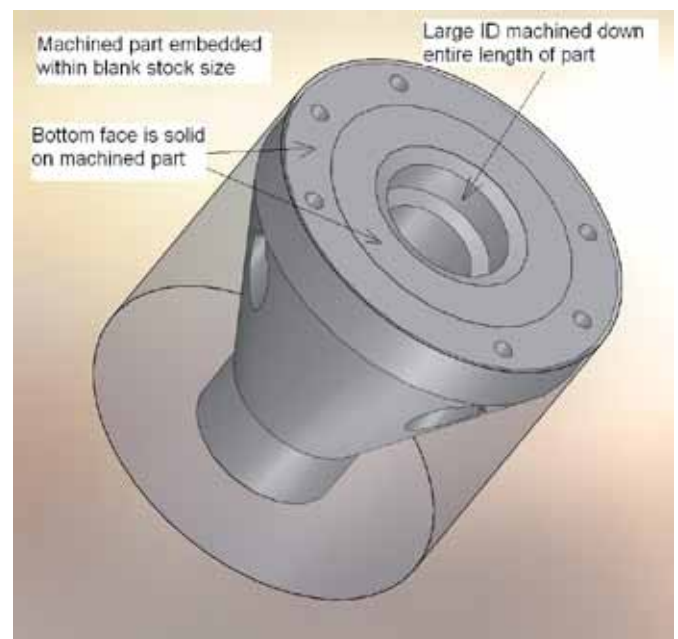
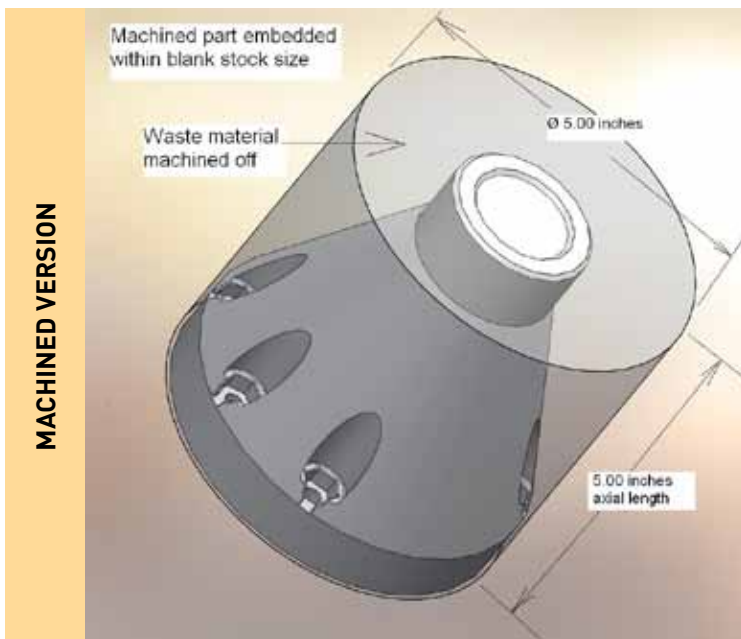


Injection Molded with Integrated Heat Sinks



Case Study #4 - Cost and Lead-time Reduction of Manufacturing Process

Situation	Customer Unmet Needs	Solution/Benefits
<p>Product</p> <ul style="list-style-type: none"> Metering valve for fluids <p>Current State</p> <ul style="list-style-type: none"> 100% Machined PVC from large pieces of rod stock <p>Application Data</p> <ul style="list-style-type: none"> Chemically Resistant High Mechanical Strength 	<ul style="list-style-type: none"> Meet significant cost reduction targets Improve manufacturing lead time Improve overall part quality – based on the consolidation of several operations into few Reduce machining waste material 	<p>Parker Chomerics Plastics Solution:</p> <ul style="list-style-type: none"> Redesign part to core out non-functional areas Build a low-cost mold Selected a molding material that meets requirements <p>Quantifiable Customer Benefits</p> <ul style="list-style-type: none"> Reduced part weight Reduced part overall cost Shorter lead times Better part quality



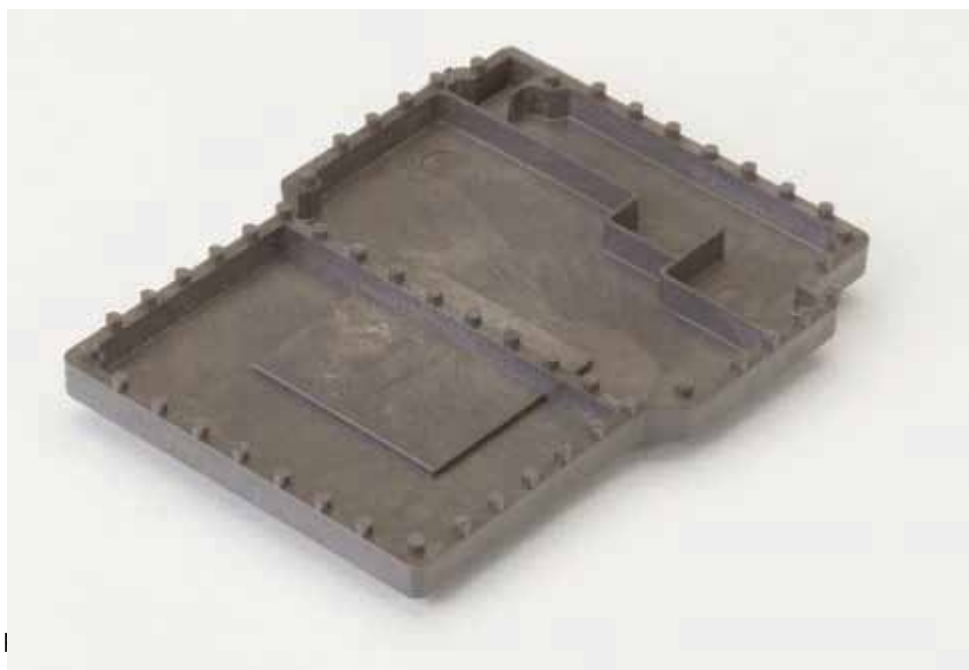
PREMIER™ Conductive Thermoplastics for EMI Shielding

Electrically Conductive EMI Shielding Thermoplastics

PREMIER™ is the world's first and most versatile commercially available conductive thermoplastic for real world EMI shielding solutions. It is a blend of PC/ABS thermoplastic polymer alloys and conductive fillers engineered for stable electrical, mechanical, and physical performance. The conductive filler technology utilizes nickel plated carbon (Ni-C) fibers as the base filler. In the case of higher shielding versions, Nickel-Graphite (Ni-C) powder is blended with the fiber base to deliver enhanced performance.

Combined with standard injection molding processes, PREMIER technology delivers evenly dispersed filler throughout a part's geometry.

PREMIER parts have no resin rich areas prone to EMI leaks, and no brittle, resin poor areas that can break under mechanical stress. PREMIER provides world class shielding effectiveness, requires no machining, plating, painting, vacuum coating, or other added processing steps. The elimination of secondary operations can reduce costs by up to 50% compared to die castings, bent formed metal, machined extrusions and plated



PREMIER™ EMI shielding performance is based upon proprietary filler technology which optimizes materials, dispersion and morphology.

The filler matrix within PREMIER starts with a nickel plated carbon (Ni-C) fiber. Electrolytic plating with nickel establishes excellent adhesion to the flexible carbon core, preventing stripping off of the nickel during the

injection molding process. Enhanced shielding performance and part fill is achieved by the addition of nickel plated graphite powder. By optimizing particle shape, size distribution and particle-to-fiber ratio, up to 85 dB of shielding effectiveness is obtained.

The powder is integrated into the fiber matrix securing more points of electrical contact both on the part surface and inter-fiber. PREMIER's uniquely engineered filler system delivers 6 sigma molding performance at various

Features/Benefits

SHIELDING

- High performance shielding up to 85 dB
- Low through resistance down to 30 m Ω
- Highly conductive
- High permeability (6.5) increases shielding effectiveness

MECHANICAL / PHYSICAL

- High tensile strength and modulus
- High flexural strength and modulus
- Low density provides weight reduction up to 75%
- Flammability rating: UL 94 V-0

ENVIRONMENTAL

- Recyclable – conforms to WEEE EoVL TCO
- Compliance – RoHS, Halogen-free, EPA
- Up to 105°C Relative Temperature Index (RTI)
- Corrosion-free for long field life

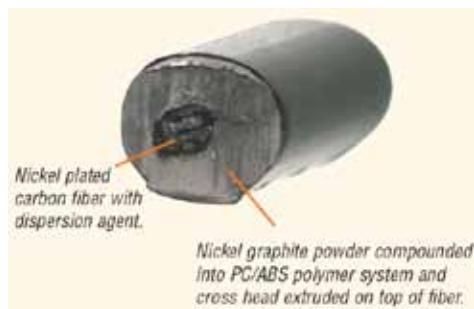
ECONOMICS

- Lower total cost of ownership through elimination of secondary operations
- Six sigma processing
- Waste elimination
- Global supply available for rapid delivery

cost-performance break points. Unlike stainless steel fiber fillers, the carbon core will bend and flow around and into cavity details without breaking or clogging. The inherent material properties of both nickel and carbon make PREMIER a highly lossy (dissipates energy) material that is paramagnetic.

To ensure even dispersion, the Ni-C fibers are treated with a unique, proprietary dispersion technology. The dispersion agent, when combined with the low shear mechanical action experienced in the injection molding process, delivers a randomly oriented, evenly dispersed and interlocked fiber matrix within the polymer. Only Chomerics has a dispersion agent that effectively promotes an even matrix throughout complex part geometry. Only PREMIER eliminates the gate clogging typically found with EMI shielding plastics.

When dispersed, the engineered fiber matrix provides optimum filler morphology for performance. The foundation of PREMIER's EMI shielding performance is the high aspect ratio Ni-C fiber. The long pathways of uninterrupted electrical conductivity provide low bulk conductivity. A minimum level of fiber is needed to provide effective EMI shielding and all grades of PREMIER have this level. To increase performance, particulate nickel graphite powder is added to the base fiber matrix to create higher shielding grades. The inclusion of powder to augment the fiber matrix is indicated by "HF" in the material grade designation.



PREMIER is a single component pellet system. The polymer is cross head extruded on top of the dispersion agent treated Ni-C fiber tow. The "HF" grade has nickel graphite powder that is compounded into the polymer. The polymer-filler system is chopped into pellets ready for injection molding. The pellet length optimizes the conductive fiber aspect ratio to maximize shielding. The single component system eliminates mixing or weighing at the press, fiber nesting and clogged extruder throats. PREMIER parts provide shielding effectiveness greater than 85 dB to meet global commercial EMC requirements. PREMIER provides the electrical conductivity, EMI absorption, and mechanical durability to replace aluminum and plastic housings that have been metalized or conductively coated. The shielding effectiveness of PREMIER is far greater than that of carbon-filled ESD (electrostatic discharge) plastics.

An application's mechanical design is critical to optimizing the shielding performance of any material. An effective EMI shielding scheme features a conductive shielding medium, with 360 degrees peripheral ground and termination of the shield at mating flanges. For applications that do not use an EMI shielding gasket at the seams, or with large openings, PREMIER™ will perform comparably to metal based designs. The seam or opening will provide less shielding than the housing material, making the seam or opening the determining component of the housing's overall shielding performance. Generally, a non-gasketed seam with good incidental contact will deliver 60 to 70 dB (800 MHz to 12 GHz) shielding effectiveness in both PREMIER and aluminum. Typically, surface plated plastic housings will have 3 to 5 dB less shielding effectiveness than PREMIER. Copper-filled coatings will be 5 to 10 dB less. To optimize performance, a

torturous path joint with a maximized surface area is suggested for seams instead of a simple butt joint. Five to 15 dB of shielding performance can be added to a typical PREMIER housing using a fabric-over-foam gasket, such as Chomerics' SOFT-SHIELD® 3500, 5000 or 4800 Series, a form-in-place conductive elastomer gasket, such as Chomerics CHO-FORM® family of materials or a hollow/spliced conductive extrusion captured in a groove.

PEI-140 - High Temperature Conductive Plastic

PREMIER™ PEI-140 is a custom blend of polyetherimide plus engineered filler for stable electrical, mechanical and physical performance at high continuous temperature exposures. It is filled with the production proven PREMIER proprietary filler system that is formulated for consistent shielding over a wide range of frequencies.

KEY CHARACTERISTICS

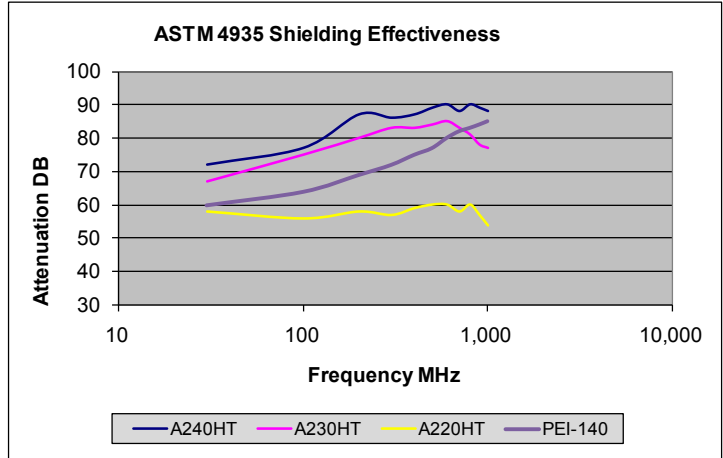
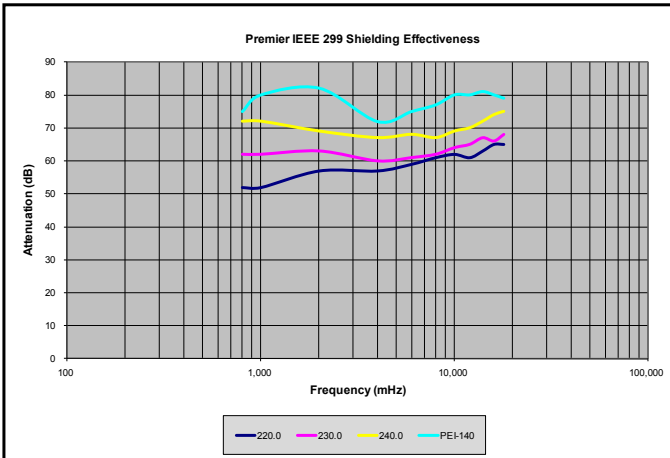
High Temperature Performance - (340°F/170°C)

Smoke Density - Meets guidelines for optical smoke density tests at MAX 110 D's requirement to pass is 200 D's or less

Table 2: Typical Properties — PREMIER™ EMI Shielding Plastics

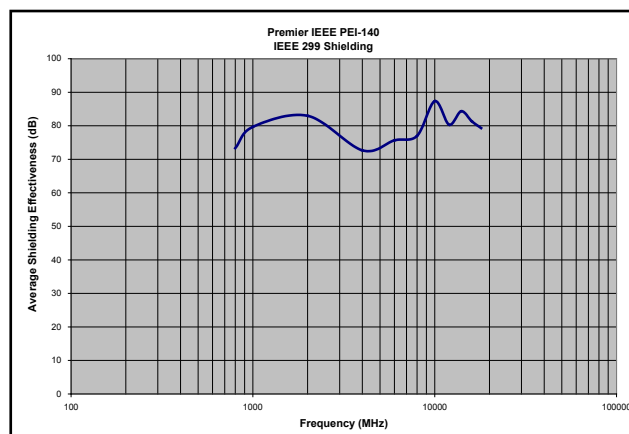
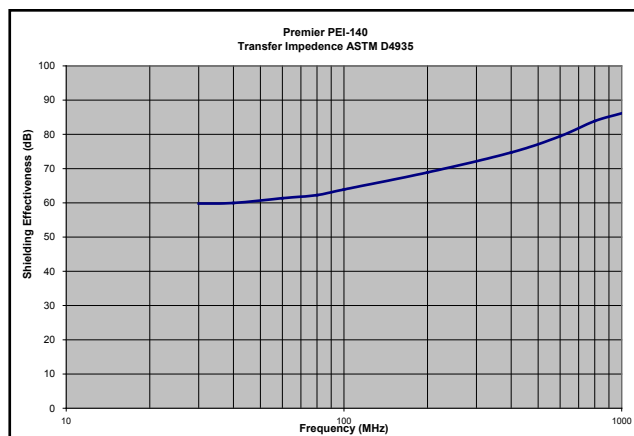
Property	Test Method	Units	A220-HT	A230-HTHF	A240-HTHF	A220-FR	A230-FRHF	A240-FRHF	A220-ST	A230-ST	A240-ST
Filler Level			Low	Medium	High	Low	Medium	High	Low	Medium	High
Electrical											
Surface Resistance		Ohm/sq	4.50	0.60	0.25	4.50	0.60	0.25	4.50	0.50	0.20
Through Resistance		Ohm	0.800	0.060	0.030	0.800	0.060	0.030	0.800	0.060	0.030
Mechanical											
Tensile Strength @ Break	ASTM D638	Mpa (psi)	67.6 (9,800)	71.0 (10,300)	71.7 (10,400)	68.3 (9,900)	71.0 (10,300)	71.7 (10,400)	78.6 (11,400)	88.3 (12,800)	91.0 (13,200)
Tensile Elongation @ Break	ASTM D638	%	1.00	1.20	0.50	1.00	1.20	0.50	1.65	1.02	0.50
Tensile Modulus	ASTM D638	Gpa (psix10 ⁶)	5.8 (0.84)	6.7 (0.97)	7.7 (1.17)	7.5 (1.00)	6.7 (0.97)	7.7 (1.17)	6.0 (0.88)	11.1 (1.62)	15.6 (2.27)
Flexural Strength	ASTM D790	Mpa (psi)	110 (15,900)	100 (15,000)	113 (16,400)	109 (15,800)	95 (13,700)	100 (15,000)	121 (17,600)	131 (19,000)	152 (22,000)
Flexural Modulus	ASTM D790	Gpa (psix10 ⁶)	5.2 (0.75)	6.3 (0.91)	8.0 (1.10)	5.2 (0.75)	6.3 (0.91)	8.0 (1.10)	5.4 (0.79)	8.1 (1.18)	11.9 (1.75)
RTI	UL746B	°C (°F)	85 (185)	85 (185)	85 (185)	70 (158)	70 (158)	70 (158)	105 (221)	105 (221)	105 (221)
Izod Impact (Unnotched)	ASTM D412	J/m (ft-lb/in)	197 (3.69)	176 (3.30)	192 (3.60)	197 (3.69)	176 (3.30)	192 (3.60)	298 (5.59)	233 (4.37)	234 (43.9)
Izod Impact (Notched)	ASTM D412	J/m (ft-lb/in)	74.7 (1.40)	53.3 (1.0)	64 (1.20)	58 (1.10)	53.3 (1.0)	64 (1.20)	77 (1.45)	93 (1.75)	120 (2.25)
Thermal											
Thermal Conductivity	ASTM D5470	W/m-K	0.56	0.59	0.7	0.56	0.59	0.7	0.56	0.59	0.7
HDUL @ 18.2 bar (264 psi)	ASTM D648	°C (°F)	122 (251)	120 (248)	118 (244)	100 (212)	100 (212)	99 (210)	128 (262)	123 (253)	119 (246)
CLTE	ASTM D696	m/m/°C x10 ⁻⁶ (in/in/°F x10 ⁻⁶)	0.26 (0.14)	0.30 (0.17)	0.18 (0.10)	0.50 (0.28)	0.30 (0.17)	0.18 (0.10)	0.29 (0.16)	0.15 (0.08)	0.13 (0.07)
Physical											
Specific Gravity	ASTM D3763		1.20	1.39	1.40	1.20	1.39	1.40	1.20	1.31	1.40
Flammability	UL 94	@ 1.5 mm	N/A	N/A	N/A	VO	VO	VO	N/A	N/A	N/A

Legend:
 CLTE - Coefficient of Linear Thermal Expansion
 HDUL - Heat Distortion Under Load
 RTI - Relative Temperature Index



PREMIER™ PEI-140 Typical Properties

	Value	Test Method	Nominal Value (English)	Unit	Nominal Value (SI)	Unit
Shielding Effectiveness	Average from 800 to 18,000 MHz - Thickness 0.07 in (1.8 mm)	IEEE 299	80	dB	80	dB
	Average from 30 to 1000 MHz - Thickness 0.07 in (1.8 mm)	ASTM D4935	72	dB	72	dB
Physical	Specific Gravity	ASTM D792	1.61	--	1.61	--
	Mold Shrinkage 0.125 in (3.2 mm)	ASTM D995	0.0035	in/in	0.35	%
Mechanical	Tensile Modulus	ASTM D638	2.1 x 10 ⁶	psi	15.8	GPa
	Tensile Strength @ Break	ASTM D638	15,000	psi	103	MPa
	Tensile Elongation @ Break	ASTM D638	4.3	%	4.3	%
	Flexural Modulus	ASTM D790	1.1 x 10 ⁶	psi	8.2	GPa
Impact	Flexural Strength	ASTM D790	20,000	psi	138	MPa
	Izod - Unnotched 73° F (23° C)	ASTM D256	4	ft-lb/in	210	J/m
	Izod - Notched 73° F (23° C)	ASTM D256	1.1	ft-lb/in	60	J/m
Thermal	Charpy Impact Notched 73° F (23° C)	ASTM D6110-05a	0.84	ft-lb/in	45	J/m
	HDTUL @ 264 psi (1.82 MPa)	ASTM D648	363	F°	184	C°
Electrical	Thermal Conductivity	ASTM D5470	0.71	W/mk	0.71	W/mk
	Surface Resistance	MIL-DTL-83528C	450	mOhm/sq	0.45	Ohm/sq
Flammability	Through Resistance	PRE-012	380	mOhm	0.38	Ohm
	UL 94 V-0 UL Flammability Rating	UL 94 V-0	0.07	in	1.8	mm
	Smoke Density 3.0 mm @ 4 minutes	BSS 7238/7239	MAX 110	Ds	MAX 110	Ds
	Limited Oxygen Index	ASTM D2863	41	%	41	%



Product Features

SHIELDING

- High performance shielding up to 85 dB
- Low through resistance down to 30 m Ω
- Highly conductive
- High permeability (6.5) increases shielding effectiveness

MECHANICAL / PHYSICAL

- Stable electrical and shielding properties for applications requiring continuous use of 170°C
- Short term capability (HDTUL) of 180°C
- Lightweight (Density=1.61 g/cc)
- High strength
- Tensile strength: 15,000 psi

- Flexural Strength: 20,000 psi
- Flammability rating: UL 94 V-0
- Avionic Smoke Density Compliance: MAX 110 Ds; < 200 Ds required to pass

ENVIRONMENTAL

- Recyclable – conforms to WEEE EoVL TCO
- RoHS & WEEE compliant
- Corrosion-free for long field life

ECONOMICS

- Lower total cost of ownership through elimination of secondary operations
- Six sigma processing
- Waste elimination
- Global supply available for rapid delivery

Chomerics Worldwide

Corporate Facilities

To Place an Order Please Contact a Customer Service Representative at the Following Locations

North America

Division Headquarters
Woburn, MA
Phone +1 781-935-4850
Fax +781-933-4318
chomailbox@parker.com

Europe

High Wycombe, UK
Phone +44 1494 455400
Fax +44 14944 55466
chomerics_europe@parker.com

Asia Pacific

Hong Kong
Phone +852 2428 8008
Fax +852 2786 3446
chomerics_ap@parker.com

Cranford, NJ

Phone +1 908-272-5500
Fax + 1 908-272-2741

Manufacturing Facilities

Woburn, MA; Hudson, NH; Cranford, NJ ; Millville, NJ; Fairport, NY; Grantham, UK; Saint Ouen l'Aumone, France; Beijing, Shanghai, Shenzhen, and Tianjin, China; Guadalajara and Monterrey, Mexico; Sadska, Czech Republic; Chennai, India; Selangor, Malaysia.

www.chomerics.com
www.parker.com/chomerics

*CHOMERICS and SPRING-LINE are registered trademarks of Parker Hannifin Corporation.
© 2010 Parker Hannifin Corporation. All rights reserved.*

Literature Number: LD 1065 EN October 2010



ENGINEERING YOUR SUCCESS.