



Chipsmall Limited consists of a professional team with an average of over 10 year of expertise in the distribution of electronic components. Based in Hongkong, we have already established firm and mutual-benefit business relationships with customers from,Europe,America and south Asia,supplying obsolete and hard-to-find components to meet their specific needs.

With the principle of “Quality Parts,Customers Priority,Honest Operation,and Considerate Service”,our business mainly focus on the distribution of electronic components. Line cards we deal with include Microchip,ALPS,ROHM,Xilinx,Pulse,ON,Everlight and Freescale. Main products comprise IC,Modules,Potentiometer,IC Socket,Relay,Connector.Our parts cover such applications as commercial,industrial, and automotives areas.

We are looking forward to setting up business relationship with you and hope to provide you with the best service and solution. Let us make a better world for our industry!



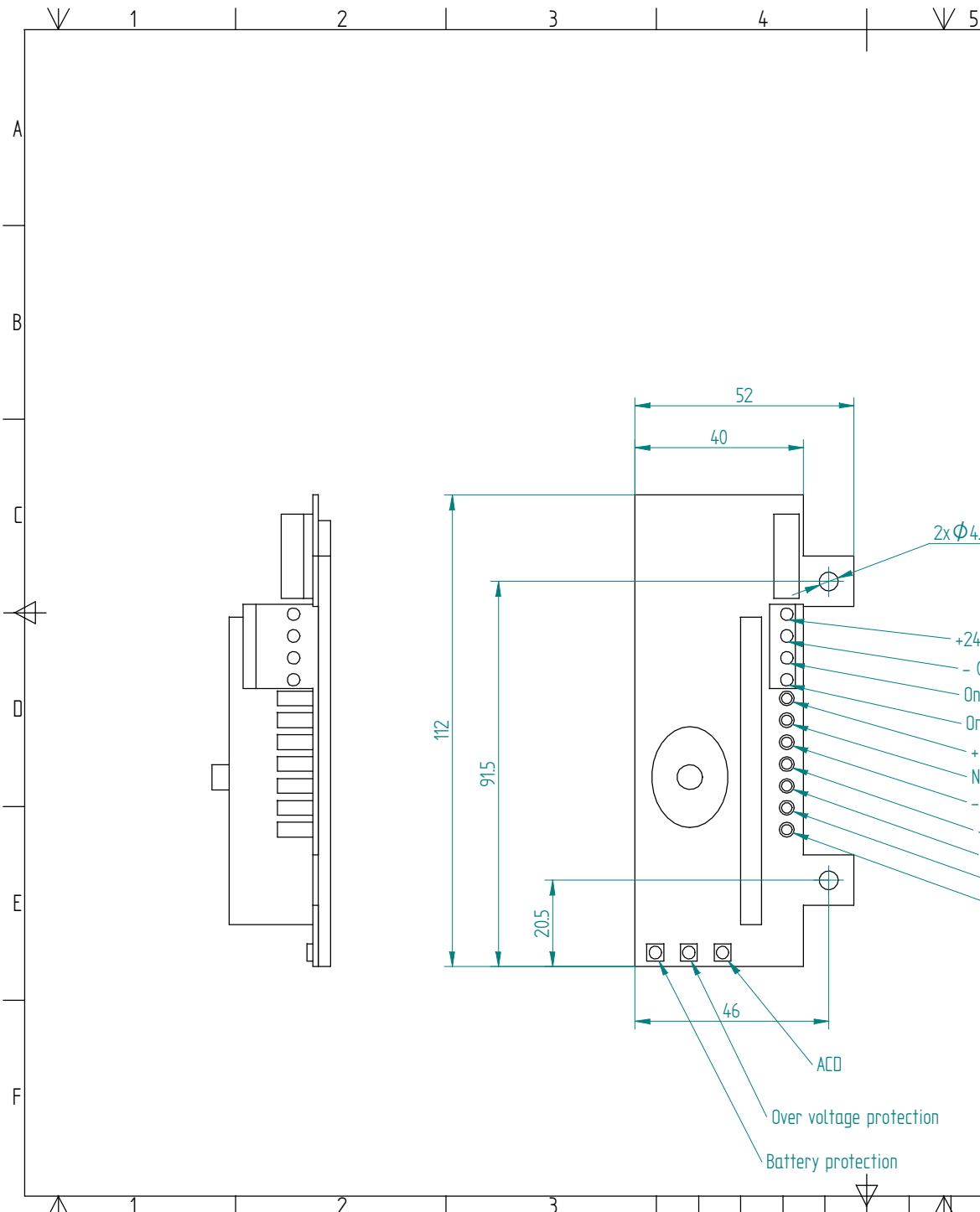
## Contact us

Tel: +86-755-8981 8866 Fax: +86-755-8427 6832

Email & Skype: info@chipsmall.com Web: www.chipsmall.com

Address: A1208, Overseas Decoration Building, #122 Zhenhua RD., Futian, Shenzhen, China





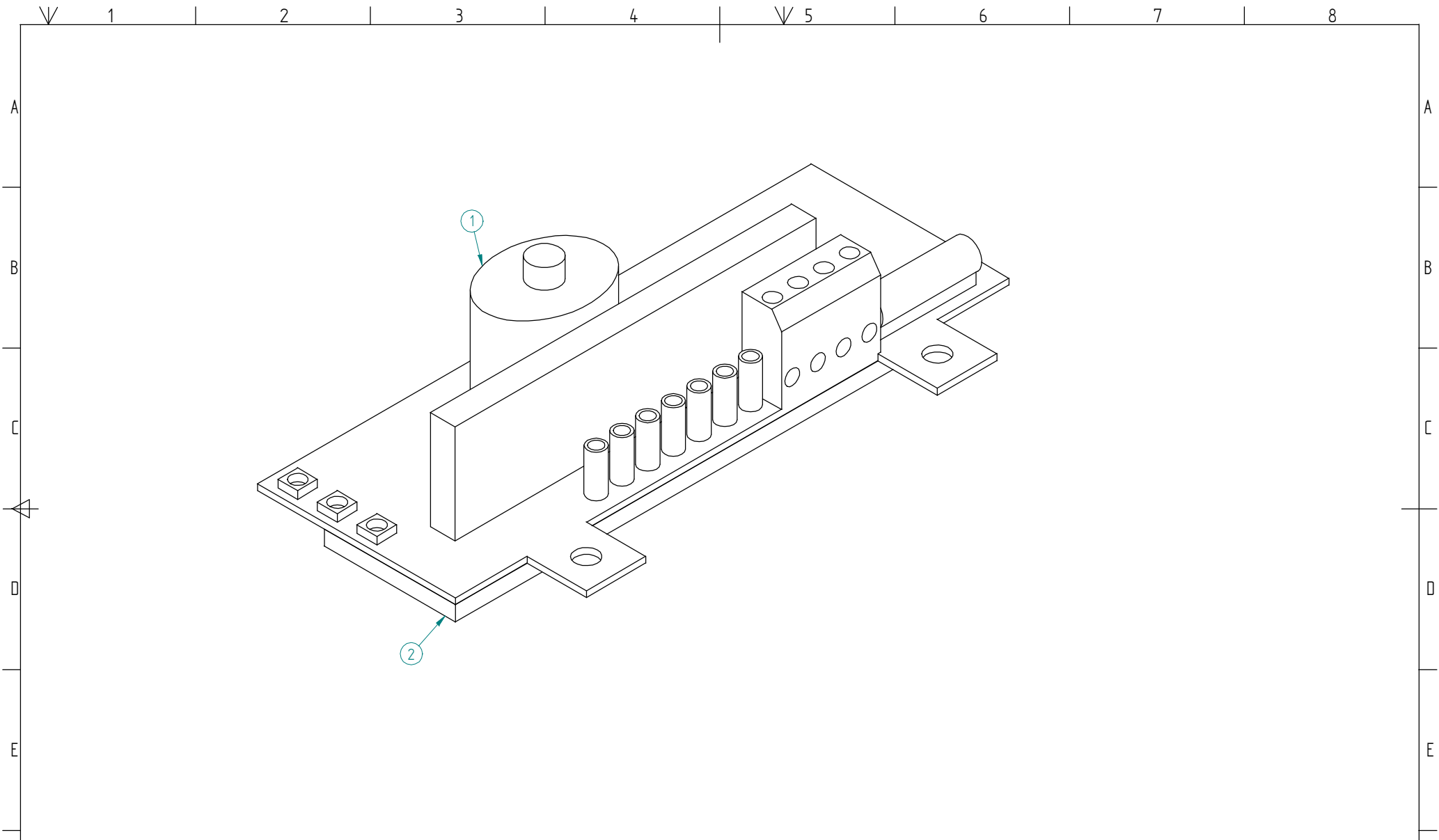
Specification: (Ta=32°C)	Code:	Description:
Heat transfer, cold side:	XX	
Heat transfer, warm side:	XXX	
Cascade:	-	
Cooling power: [W]		
Voltage, nominal: [VDC]	24	24 VDC (28.5 VDC Max.)
Current, nominal:	-	
TE-Module(s) connections:	-	
Fan(s), cold side:	X	-
Fan(s), warm side:	X	-
Temperature controller, sensor:	E	Pulse Width Modulation (PWM), NTC
Temperature control settings:	C	5°C
Trimtable:		-2 to 17°C
Accuracy & Hysteresis:		±15°C, 0.5°C
Temperature control position:	2	Hot side
Options: Voltage protection:	6	Low voltage: 21.9V=Off/24.2V=On High voltage: 30.3V=Off/30.0V=On
Rapid Cooling / Economy:		Automatic cool down at -26.5V/Economy at -25.3V
Weight:		0.05 kg
Overheating thermostat:		-
Max. operating temperature:		70°C PC board environment
Enclosed:		-
Packing:		Plastic bag

Revision notes and dates (yyymmdd):


Rev. 0: YYMMDD, First issue.

Weight: 0.047 kg

Comments / deviations: Pulse Width Modulation, Battery guard, High V, Compact		General tolerances: SS-ISO 2768-1 m	
Designed by: A.Thorén	Approved by: H. Lindberg	Date: (y/m/d) 05/06/07	Customer: Supercool AB
Project: Standard		Title: CONTROL PWM 5°C 24V LOW/HIGH V ACD	
Part nr: TC-24-EC-26		Rev. nr: 0	Status: 0
Scale: 1:1		Size, sheet: A3, 1/21	



Nr.	Qty.	Part nr.	Title.	Subject.	Material.	Comment.	Sts.	Rev.
1	1	RZE-YACD-24-BANTAT	CONTROL PWM 24V	TYPE E		Pulse Width Modulation	Avai labl e	
2	1	RPL-01615	INSULATION YACD		RG30, Tape 0241, PP Foil 0.5, Black	Electrical insulation	Avai labl e	0

Material:		Comment/Treating: Pulse Width Modulation, Battery gu...		General tolerances: ±0.150/±0.276/±0.125	
Designed by: A.Thorén	Approved by: H.Lindberg	Date: (y/m/d) 05/06/07	Customer: Supercool AB	Project: Standard	
 Supercool AB Box 27, S-40120 Göteborg, Sweden tfn: +46 31 420530, fax: +46 31 247909 e-mail: info@supercool.se Web: www.supercool.se		Title: CONTROL PWM 5°C 24V LOW/HIGH V ACB			
		Part nr: TC-24-EC-26	Rev. nr.: 0	Status: 0	Scale: 1:1