



Chipsmall Limited consists of a professional team with an average of over 10 year of expertise in the distribution of electronic components. Based in Hongkong, we have already established firm and mutual-benefit business relationships with customers from,Europe,America and south Asia,supplying obsolete and hard-to-find components to meet their specific needs.

With the principle of “Quality Parts,Customers Priority,Honest Operation,and Considerate Service”,our business mainly focus on the distribution of electronic components. Line cards we deal with include Microchip,ALPS,ROHM,Xilinx,Pulse,ON,Everlight and Freescale. Main products comprise IC,Modules,Potentiometer,IC Socket,Relay,Connector.Our parts cover such applications as commercial,industrial, and automotives areas.

We are looking forward to setting up business relationship with you and hope to provide you with the best service and solution. Let us make a better world for our industry!



Contact us

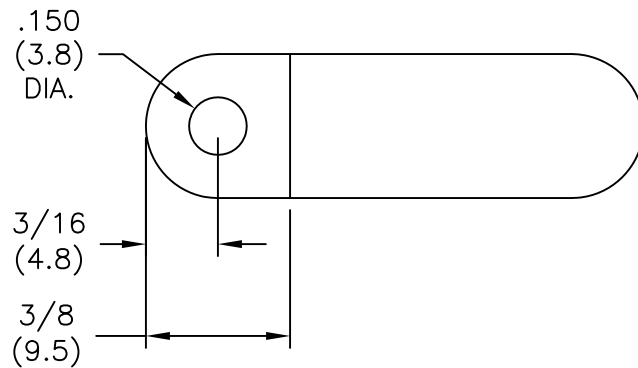
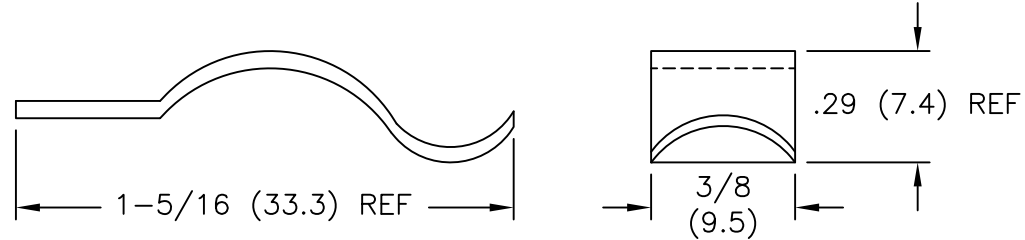
Tel: +86-755-8981 8866 Fax: +86-755-8427 6832

Email & Skype: info@chipsmall.com Web: www.chipsmall.com

Address: A1208, Overseas Decoration Building, #122 Zhenhua RD., Futian, Shenzhen, China



PART NO		MATERIAL	RECOMMENDED HOLDING Ø	MOUNTING SCREW
COLOR: NATURAL	COLOR: BLACK			
TC-30-1	TC-30-1BK	ACETAL (RMS-14)	.37 (9.4) MAX	# 6 (M3/M3.5)
TC-30-1-01	TC-30-1-01BK	UL94 V2 NYLON 6/6 (RMS-01)		



REV			DESCRIPTION			ENGR DATE			TITLE: TENSION CLIP NO. 30-1			DWG IN IN (MM)		FINAL		PRINT TYPE	
E	SEE CO 200616 FOR CHANGES		SK 01.10.11					FILE # TC-30-1		DWN: P.B.		APP:		PART #		PRINT TYPE	
D	ADDED COLOR NOTE TO NOTE 1		SJ 03.04.02		TOLERANCES UNLESS NOTED			MAT'L: SEE NOTES		DT: 09-15-94		DT:		SEE TABLE		CA	
C	ADDED NOTES 3. AND 4.		SM 04.03.01		.XX=±.010 .XXX=±.005 FRAC=1/64 ANG=1°			RE: RICHCO, INC.		RICHCO INC. PO BOX 804238, CHICAGO, 60680 (773) 539-4060							
B	PART # TC-30-1B WAS TC-30-1-01 AND CHANGED FILE NO.		SM 03.26.01														
A	MAT'L RMS-01 ADDED BY SPECIAL ORDER		JL 11.18.99														