



Chipsmall Limited consists of a professional team with an average of over 10 year of expertise in the distribution of electronic components. Based in Hongkong, we have already established firm and mutual-benefit business relationships with customers from,Europe,America and south Asia,supplying obsolete and hard-to-find components to meet their specific needs.

With the principle of "Quality Parts,Customers Priority,Honest Operation,and Considerate Service",our business mainly focus on the distribution of electronic components. Line cards we deal with include Microchip,ALPS,ROHM,Xilinx,Pulse,ON,Everlight and Freescale. Main products comprise IC,Modules,Potentiometer,IC Socket,Relay,Connector.Our parts cover such applications as commercial,industrial, and automotives areas.

We are looking forward to setting up business relationship with you and hope to provide you with the best service and solution. Let us make a better world for our industry!



Contact us

Tel: +86-755-8981 8866 Fax: +86-755-8427 6832

Email & Skype: info@chipsmall.com Web: www.chipsmall.com

Address: A1208, Overseas Decoration Building, #122 Zhenhua RD., Futian, Shenzhen, China

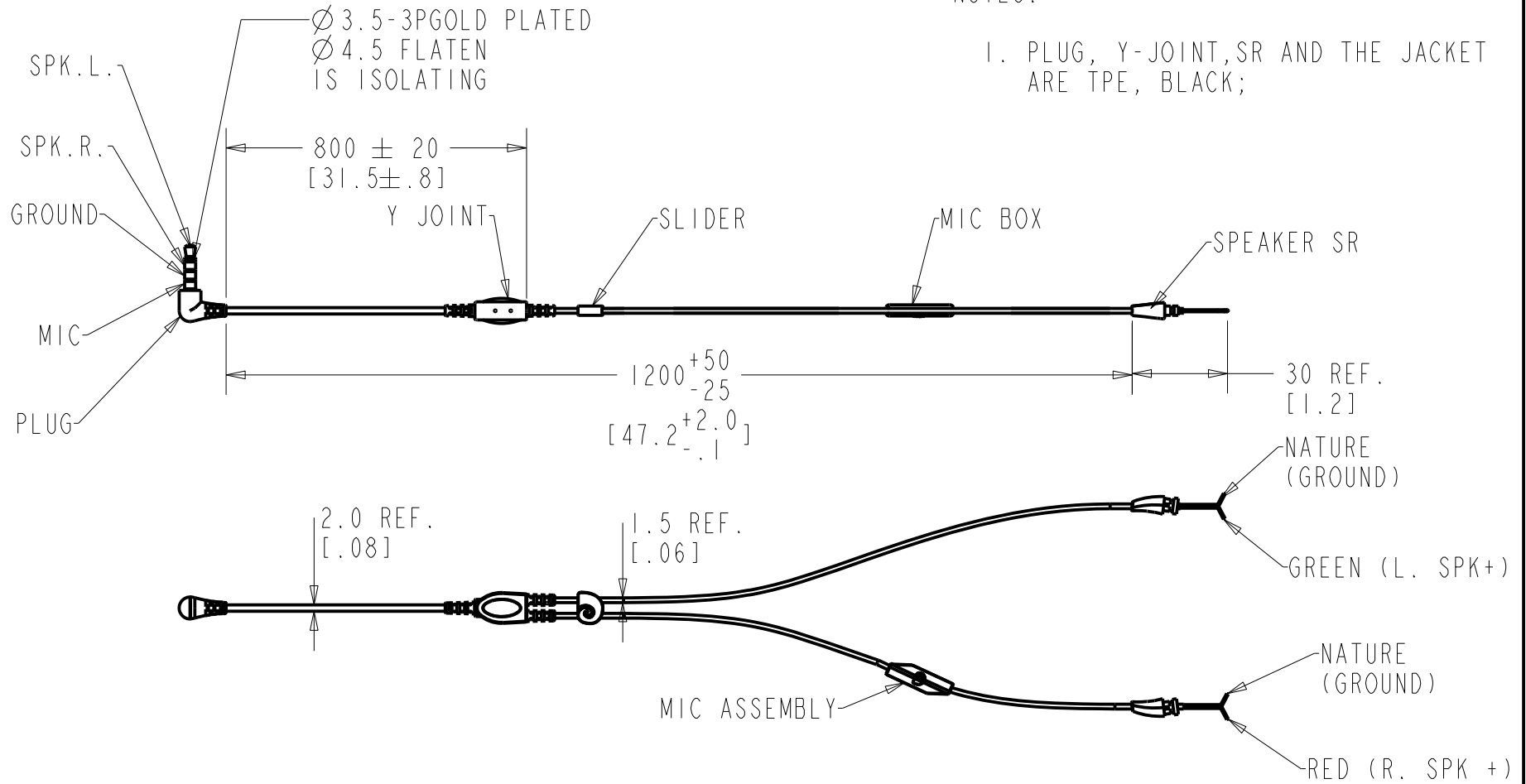


THE INFORMATION CONTAINED IN THIS LITERATURE IS BASED ON OUR EXPERIENCE TO DATE AND IS BELIEVED TO BE RELIABLE AND IT IS SUBJECT TO CHANGE WITHOUT NOTICE. IT IS INTENDED AS A GUIDE FOR USE BY PERSONS HAVING TECHNICAL SKILL AT THEIR OWN DISCRETION AND RISK. WE DO NOT GUARANTEE FAVORABLE RESULTS OR ASSUME ANY LIABILITY IN CONNECTION WITH ITS USE. DIMENSIONS CONTAINED HEREIN ARE FOR REFERENCE PURPOSES ONLY. FOR SPECIFIC DIMENSIONAL REQUIREMENTS CONSULT MANUFACTURER. THIS PUBLICATION IS NOT TO BE TAKEN AS A LICENSE TO OPERATE UNDER, OR RECOMMENDATION TO INFRINGE ANY EXISTING PATENTS. THIS SUPERSEDES AND VOIDS ALL PREVIOUS LITERATURE.

TC-32349-000
SHT 1.1

NOTES:

1. PLUG, Y-JOINT, SR AND THE JACKET ARE TPE, BLACK;



Revision	C.O. #	Implementation Date	RELEASE LEVEL	REVISION
			Entering	1

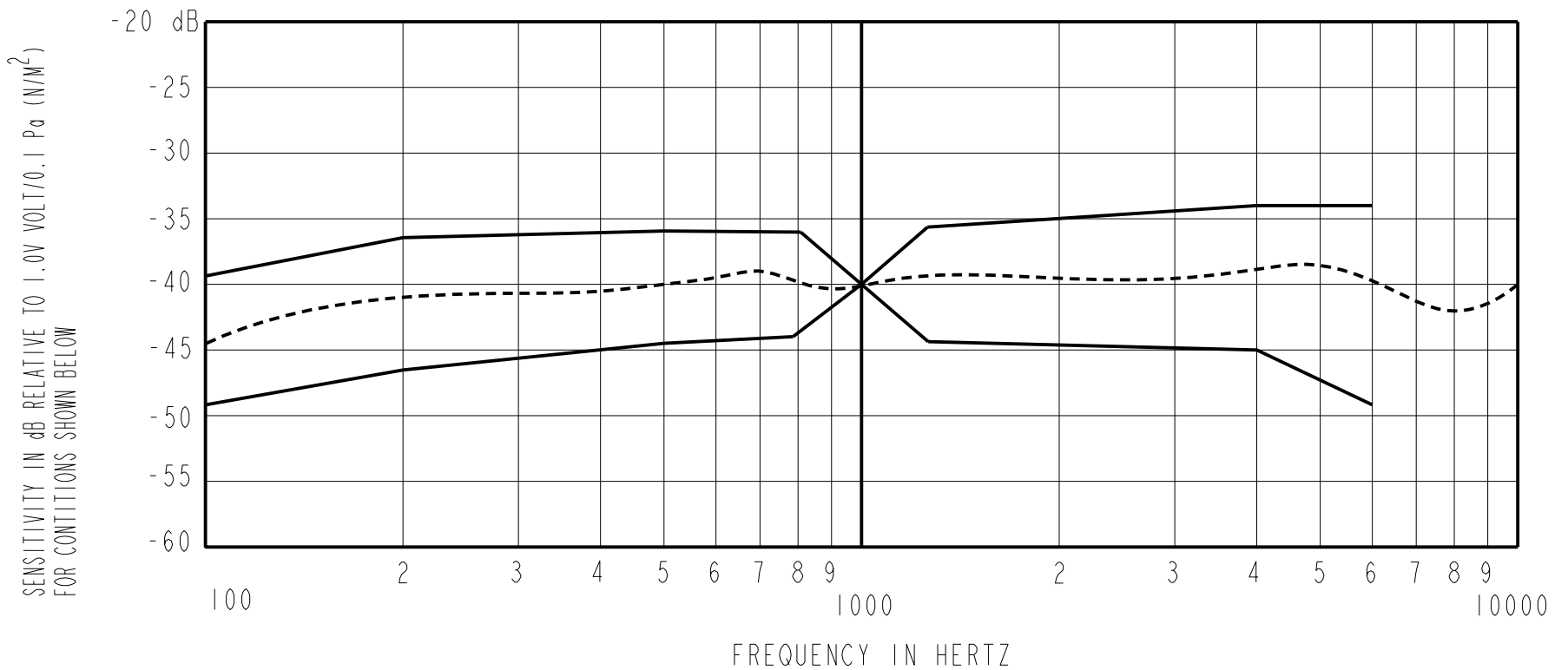
KNOWLES ACOUSTICS
ITASCA, ILLINOIS U.S.A.

SCALE: 1:2		DR. BY	DATE
DO NOT SCALE DRAWING		LSY	5/26/14
TITLE: CABLE ASSEMBLY		CK. BY	DATE
OUTLINE DRAWING		---	---
TC-32349-000		APP. BY	DATE
SHT 1.1		---	---

THE INFORMATION CONTAINED IN THIS LITERATURE IS BASED ON OUR EXPERIENCE TO DATE AND IS BELIEVED TO BE RELIABLE AND IT IS SUBJECT TO CHANGE WITHOUT NOTICE. IT IS INTENDED AS A GUIDE FOR USE BY PERSONS HAVING TECHNICAL SKILL AT THEIR OWN DISCRETION AND RISK. WE DO NOT GUARANTEE FAVORABLE RESULTS OR ASSUME ANY LIABILITY IN CONNECTION WITH ITS USE. DIMENSIONS CONTAINED HEREIN ARE FOR REFERENCE PURPOSES ONLY. FOR SPECIFIC DIMENSIONAL REQUIREMENTS CONSULT MANUFACTURER. THIS PUBLICATION IS NOT TO BE TAKEN AS A LICENSE TO OPERATE UNDER, OR RECOMMENDATION TO INFRINGE ANY EXISTING PATENTS. THIS SUPERSEDES AND VOIDS ALL PREVIOUS LITERATURE.

TC-32349-000

SHEET 2.1



SENSITIVITY

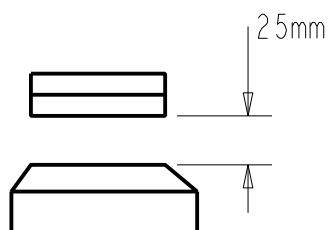
FREQ	MIN	NOR	MAX
100	---	-44.5	---
200	---	-41.5	---
800	---	-39	---
1000	-43	-40	-37
1500	---	-39.5	---
5000	---	-38.5	---
6000	---	-41.5	---
10000	---	-40	---

RANGE OF DEVIATION FROM 1KHz

FREQ	DOWN	UP
100	-9.5	0.5
200	-6.5	3.5
800	-4	4
1000	-3	3
1500	-4.5	4.5
4000	-5	6.5
6000	-9	6.5

SENSITIVITY OF FINISHED GOODS. -40 dB RE 1.0V/Pa AT 1KHz

TEST CONTITION:
 INLINE MIC EXPOSED TO 94dB SPL SWEPT.
 SOUND FIELD AT 25mm FROM VOICE APERTURE.
 ARTIFICIAL VOICE: B&K 4227 MOUTH SIMULATOR
 SOURCE VOLTAGE: 2.0V
 RESISTANCE: 2.2K ohm
 CURRENT DRAIN: 0.5 mA MAX.



Revision	C.O. #	Implementation Date	RELEASE LEVEL	REVISION
			Entering	1

KNOWLES ACOUSTICS
 ITASCA, ILLINOIS U.S.A.

WHEN TEST LIMITS ARE USED TO ESTABLISH INCOMING INSPECTION ACCEPTANCE/REJECTION CRITERIA, CORRELATION OF TEST EQUIPMENT WITH KNOWLES IS ALSO REQUIRED FOR ELIMINATION OF EQUIPMENT AND TEST METHOD VARIATION

DR. BY	DATE
LSY	5/26/14
CK. BY	DATE
---	---
APP. BY	DATE
---	---

TITLE: **CABLE ASSEMBLY** **TC-32349-000**
 PERFORMANCE SPECIFICATION **SHT 2.1**

TC-32349-000		KNOWLES ACOUSTICS			TC-32349-000	
Sheet 4.1		ITASCA, ILLINOIS U.S.A.			Sheet 4.1	
Dr.	By LSY	Date 5/26/14	Subject:		Revision	
Ch.	---	---	CABLE ASSEMBLY			
App.	---	---	BOX OF 100		Release Level	
COL. 1			2		3	
Part or Dwg. no.			Tot. Req.		Nomenclature:	
TC-117			100		4P GENERAL CABLE ASSEMBLY,	
					4	
					Applicable Specs or Remarks	
					Item No.	
					Line No.	
					Entering	

REVISION	TC-32349-000	
	Sheet 4.1	
<small>PROPRIETARY NOTE: THIS DOCUMENT CONTAINS INFORMATION WHICH IS THE PROPRIETARY PROPERTY OF KNOWLES ELECTRONICS, LLC. OR ITS AFFILIATED ENTITIES. IT IS ISSUED IN STRICT CONFIDENCE AND SHALL NOT BE REPRODUCED, COPIED, USED, OR DISCLOSED TO ANY THIRD PARTY PARTIALLY OR WHOLLY IN ANY MANNER WITHOUT PRIOR WRITTEN PERMISSION OF, AND MUST BE RETURNED UPON REQUEST BY, KNOWLES ELECTRONICS, LLC.</small>		

REV: D