



Chipsmall Limited consists of a professional team with an average of over 10 year of expertise in the distribution of electronic components. Based in Hongkong, we have already established firm and mutual-benefit business relationships with customers from,Europe,America and south Asia,supplying obsolete and hard-to-find components to meet their specific needs.

With the principle of “Quality Parts,Customers Priority,Honest Operation,and Considerate Service”,our business mainly focus on the distribution of electronic components. Line cards we deal with include Microchip,ALPS,ROHM,Xilinx,Pulse,ON,Everlight and Freescale. Main products comprise IC,Modules,Potentiometer,IC Socket,Relay,Connector.Our parts cover such applications as commercial,industrial, and automotives areas.

We are looking forward to setting up business relationship with you and hope to provide you with the best service and solution. Let us make a better world for our industry!



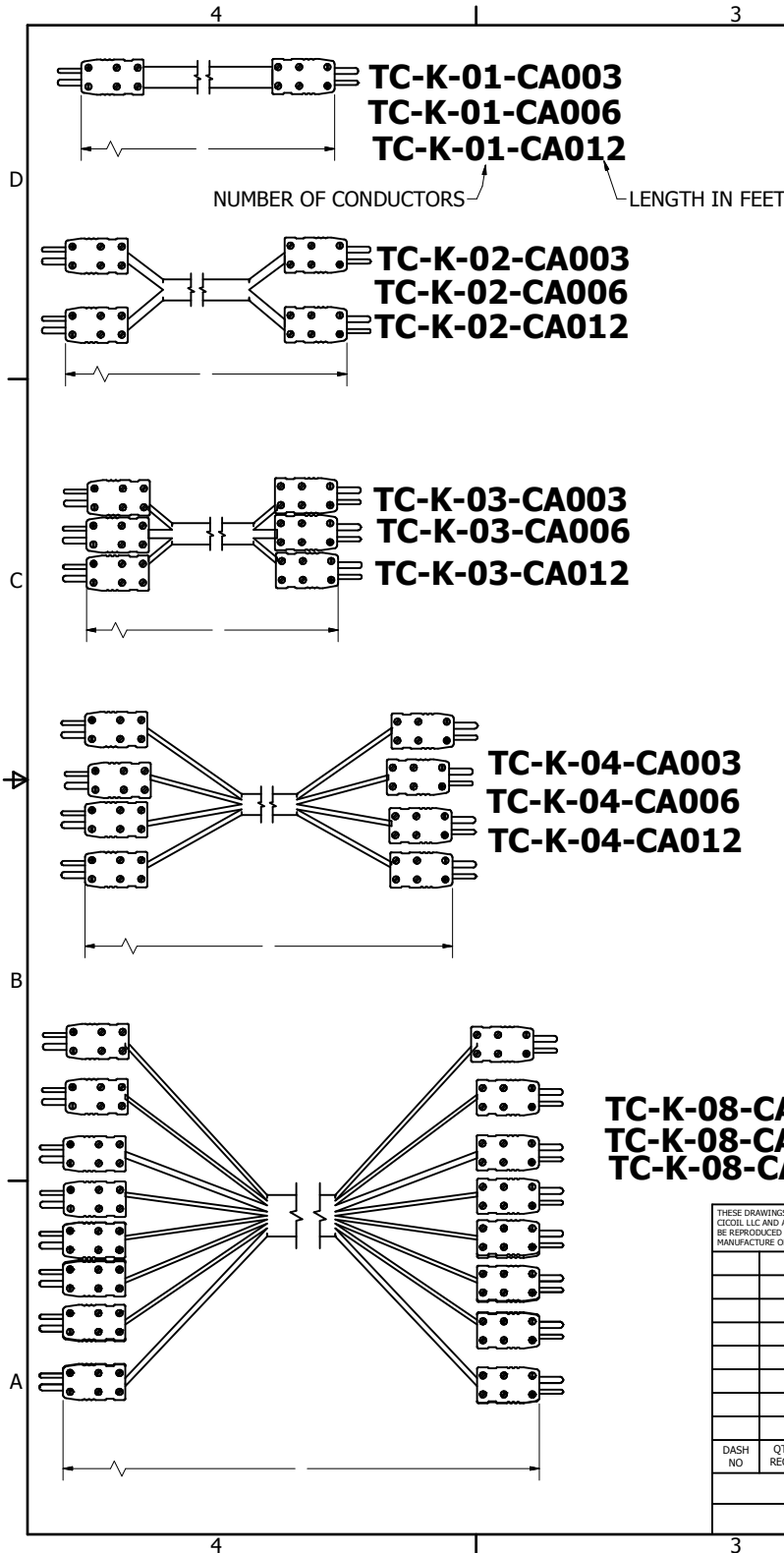
Contact us

Tel: +86-755-8981 8866 Fax: +86-755-8427 6832

Email & Skype: info@chipsmall.com Web: www.chipsmall.com

Address: A1208, Overseas Decoration Building, #122 Zhenhua RD., Futian, Shenzhen, China





TC-K-01-CA003
TC-K-01-CA006
TC-K-01-CA012

NUMBER OF CONDUCTORS → LENGTH IN FEET

TC-K-02-CA003
TC-K-02-CA006
TC-K-02-CA012

TC-K-03-CA003
TC-K-03-CA006
TC-K-03-CA012

TC-K-04-CA003
TC-K-04-CA006
TC-K-04-CA012

TC-K-08-CA003
TC-K-08-CA006
TC-K-08-CA012

NOTES, UNLESS OTHERWISE SPECIFIED:

- 1 INSTALL CONNECTORS AS REQUIRED
- 2 STRIP AND TIN PER IEC-J-STD-001
- 3 USE STRAIN RELIEF AS REQUIRED
- 4 CONDUCTORS: ULTRA FLEXIBLE, FINELY STRANDED, CHROMEL AND ALUMEL
- 5 MINIMUM BEND RADIUS: 6X CABLE HEIGHT FOR INTERMEDIATE FLEX; 10X CABLE HEIGHT FOR CONTINUOUS FLEX
- 6 OUTER JACKET DUROMETER RATING: 65 (SHORE A)
- 7 CABLE TEMPERATURE RATING: -65°C TO +260°C
ASSEMBLY TEMPERATURE RATING: -29°C TO +220°C
- 8 OUTER JACKET DIELECTRIC STRENGTH: 450 VOLTS/MILS (17.7 kv/mm)
- 9 *OR EQUIVALENT

REVISION HISTORY

ZONE	REV	DESCRIPTION	DATE	BY
ALL	N/C	INITIAL RELEASE	08/03/2013	RR

THERMOCOUPLE TYPE "K", TC-K-01 BILL OF MATERIALS

FN	QTY	DESCRIPTION	PART NUMBE	MFG
1	A/R	CICOIL CABLE	589R101-1	CICOIL
2	2	THERMOCOUPLE CONNECTOR	SMPW-CC-K-M*	OMEGA

THERMOCOUPLE TYPE "K", TC-K-02 BILL OF MATERIALS

FN	QTY	DESCRIPTION	PART NUMBE	MFG
1	A/R	CICOIL CABLE	589R101-2	CICOIL
2	4	THERMOCOUPLE CONNECTOR	SMPW-CC-K-M*	OMEGA

THERMOCOUPLE TYPE "K", TC-K-03 BILL OF MATERIALS

FN	QTY	DESCRIPTION	PART NUMBE	MFG
1	A/R	CICOIL CABLE	589R101-3	CICOIL
2	6	THERMOCOUPLE CONNECTOR	SMPW-CC-K-M*	OMEGA

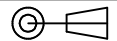
THERMOCOUPLE TYPE "K", TC-K-04 BILL OF MATERIALS

FN	QTY	DESCRIPTION	PART NUMBE	MFG
1	A/R	CICOIL CABLE	589R101-4	CICOIL
2	8	THERMOCOUPLE CONNECTOR	SMPW-CC-K-M*	OMEGA

THERMOCOUPLE TYPE "K", TC-K-08 BILL OF MATERIALS

FN	QTY	DESCRIPTION	PART NUMBER	MFG
1	A/R	CICOIL CABLE	589R101-8	CICOIL
2	16	THERMOCOUPLE CONNECTOR	SMPW-CC-K-M*	OMEGA

THESE DRAWINGS AND SPECIFICATIONS ARE THE PROPERTY OF CICOIL LLC AND ARE ISSUED IN STRICT CONFIDENCE AND SHALL NOT BE REPRODUCED OR COPIED OR USED AS THE BASIS FOR THE MANUFACTURE OR SALE OF EQUIPMENT WITHOUT PERMISSION.



VIEW PROJECTION

DASH NO	QTY REQD	NEXT ASSEMBLY	FINAL ASSEMBLY
APPLICATION			

STANDARD TOLERANCES UNLESS OTHERWISE NOTED
 DIMENSIONS ARE IN INCHES
 .X+/- 0.5
 .XX+/-0.05
 .XXX+/-0.005
 ANGLES +/- 5 DEG [MM]
 MATERIAL:
 DO NOT SCALE DRAWING

SIGNATURE	DATE
DRAWN: rruiz	9/3/2013
CHECK: JOHN PALAHNUK	9/3/2013
ENGINEER: JOHN PALAHNUK	9/3/2013



24960 AVENUE TIBBITTS, VALENCIA, CA 91355 www.cicoil.com 661-295-1295

TITILE			
THERMOCOUPLE TYPE "K"			
CAGE CODE	SIZE	DRAWING NUMBER	REVISION
19476		TC-K-0X-CAXXX	N/C
SCALE		FILE: TC-K-0X (C).idw	SHEET 1 OF 3