



Chipsmall Limited consists of a professional team with an average of over 10 year of expertise in the distribution of electronic components. Based in Hongkong, we have already established firm and mutual-benefit business relationships with customers from,Europe,America and south Asia,supplying obsolete and hard-to-find components to meet their specific needs.

With the principle of “Quality Parts,Customers Priority,Honest Operation,and Considerate Service”,our business mainly focus on the distribution of electronic components. Line cards we deal with include Microchip,ALPS,ROHM,Xilinx,Pulse,ON,Everlight and Freescale. Main products comprise IC,Modules,Potentiometer,IC Socket,Relay,Connector.Our parts cover such applications as commercial,industrial, and automotives areas.

We are looking forward to setting up business relationship with you and hope to provide you with the best service and solution. Let us make a better world for our industry!



Contact us

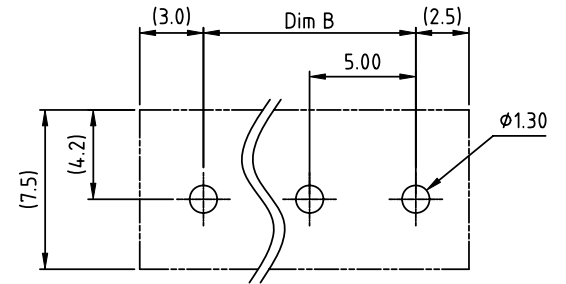
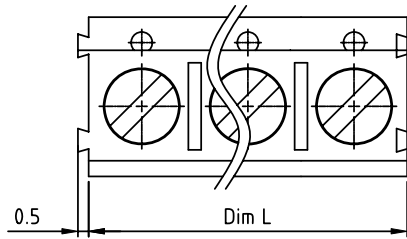
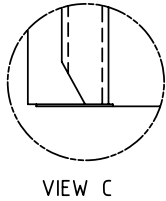
Tel: +86-755-8981 8866 Fax: +86-755-8427 6832

Email & Skype: info@chipsmall.com Web: www.chipsmall.com

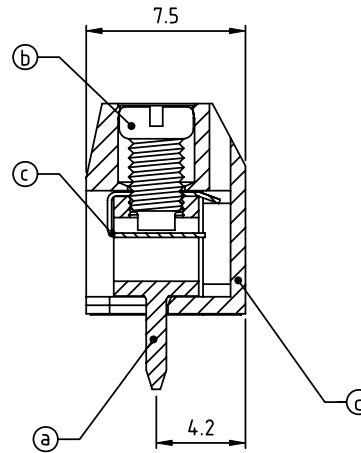
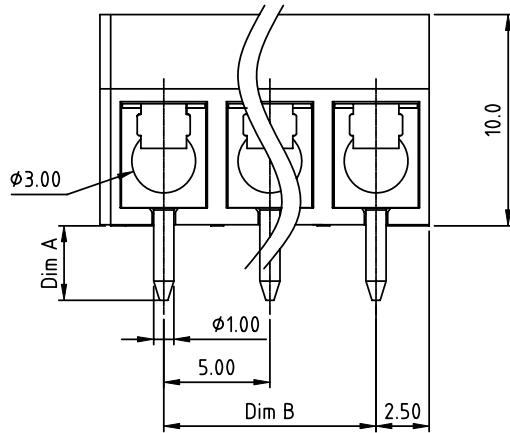
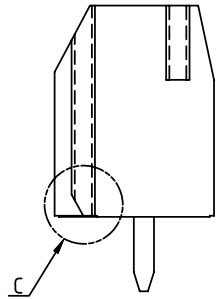
Address: A1208, Overseas Decoration Building, #122 Zhenhua RD., Futian, Shenzhen, China



PRODUCT NUMBER	PITCH
TCxx03xxA5J0G	5.00 mm



RECOMMENDED P.C.B LAYOUT
TOP VIEW



Material:

- Item (a) Terminal body(metal housing): Brass(CuZn),Tin plated
- Item (b) Terminal screw: Steel Zinc plating "--" slot type
- Item (c) Wire guard: Stainless steel
- Item (d) Insulator (housing): Thermoplastic (UL94V-0)

Electrical cULus//VDE

- Voltage rating: 300VAC/250VAC
- Current rating: 15A/17.5A
- Wire range: 0.5-1.5mm²
- Solid wire(AWG): 14-22
- Stranded wire(AWG): 14-22
- Torque: 2.6Lb-In/0.4Nm
- Screw: M2.6
- Wire strip length: 6-7mm
- Withstanding Voltage: 1.6KV/2KV
- Operating temperature: -40°C to +115°C
- Soldering temperature: 260°C±5°C/5 Sec
- Safety Approval:

N = Number of poles
Dim L = N x 5.0
Dim B = (N-1) x 5.0

Poles	Dim L	Dim B
2-6p	±0.15	±0.10
7-12p	±0.20	±0.20
13-18p	±0.30	±0.25
19-24p	±0.40	±0.30

PART NO.: TC xx 03 x x A5J0 G

Body Color		DIM A Length		RoHS compliant
Solid block	0 Black (RAL9005)	0	4.4mm	In copper Alloy
No. of poles	2 Red (RAL3001/D)	0	4.4mm	
02	2 poles	3 Orange(RAL2011/P)	1	3.8mm
03	3 poles	4 Yellow(RAL1018/A)	2	3.5mm
...	...	5 Green(RAL6018/T)	3	2.9mm
24	24 poles	6 Blue (RAL5015/A)		
		8 Grey(RAL7035/D)		
		9 White(RAL1102)		
		C Green(RAL6018/U)		

mat'l. code		surface ASME Y14.5	tolerance ASME Y14.5	projection	product family TERMINAL BLOCK
ltr	ecn no	dr	date		title TERMINAL BLOCK
tolerances unless otherwise specified				MM	WIRE PROTECTOR,180D WIRE INLET
angles				scale	dwg no
X°±1'					sheet 1 of 1
dr				EVIN ZHONG	033114
engr				EVIN ZHONG	033114
chr				HANKE FENG	033114
appd				SHI JUN	033114
sheet index		revision	A	FCI	
		sheet	1	TCxx03xxA5J0G	
				size A4	
				type CUSTOMER Drawing	