



Chipsmall Limited consists of a professional team with an average of over 10 year of expertise in the distribution of electronic components. Based in Hongkong, we have already established firm and mutual-benefit business relationships with customers from,Europe,America and south Asia,supplying obsolete and hard-to-find components to meet their specific needs.

With the principle of “Quality Parts,Customers Priority,Honest Operation,and Considerate Service”,our business mainly focus on the distribution of electronic components. Line cards we deal with include Microchip,ALPS,ROHM,Xilinx,Pulse,ON,Everlight and Freescale. Main products comprise IC,Modules,Potentiometer,IC Socket,Relay,Connector.Our parts cover such applications as commercial,industrial, and automotives areas.

We are looking forward to setting up business relationship with you and hope to provide you with the best service and solution. Let us make a better world for our industry!



## Contact us

Tel: +86-755-8981 8866 Fax: +86-755-8427 6832

Email & Skype: info@chipsmall.com Web: www.chipsmall.com

Address: A1208, Overseas Decoration Building, #122 Zhenhua RD., Futian, Shenzhen, China



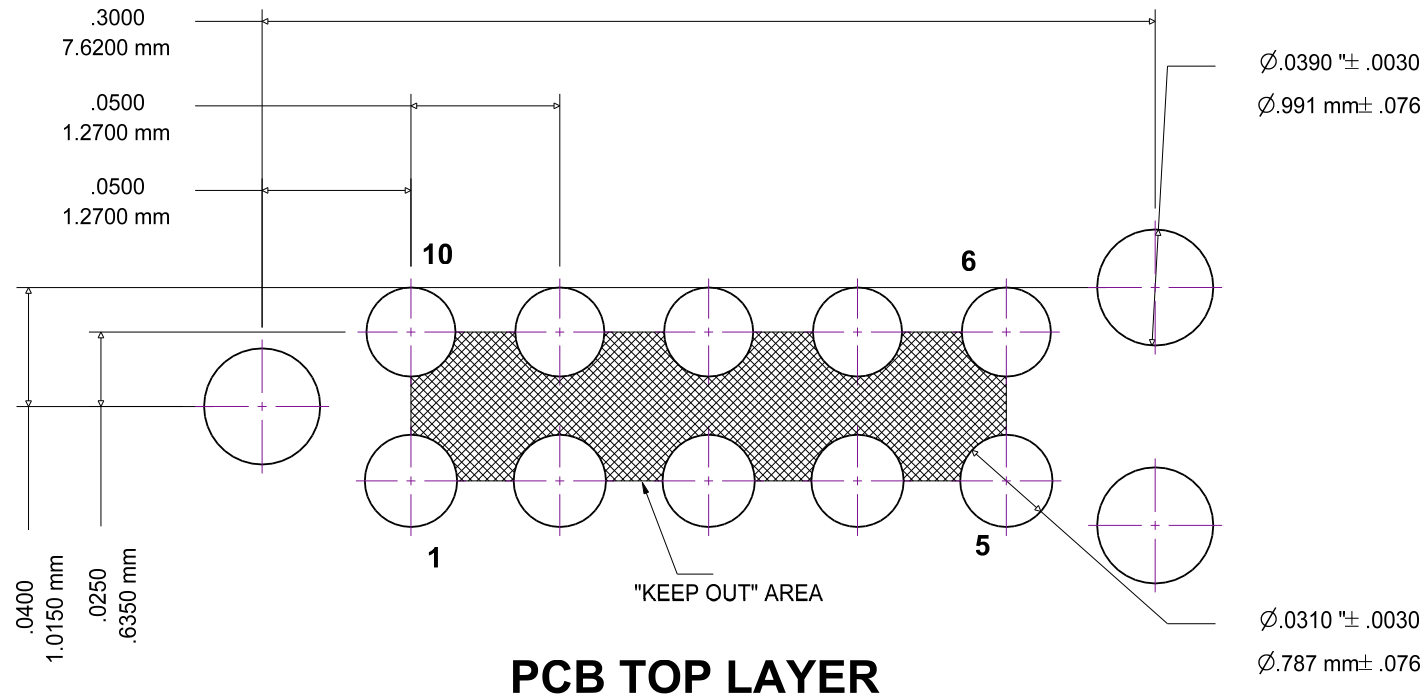


FOOTPRINT FOR TC2050-IDC-430 PLUG OF NAILS(TM) CABLE FOR MSP430

REV	TC2050-IDC-430-FP	11/29/10	MS
-----	-------------------	----------	----

Notes:

1. No tracks or vias in the shaded "KEEP OUT" AREA.
2. No other track or signal within 0.020" of any contact pad.
3. Do not allow solder paste on the contact pads. It is essential to eliminate any hole in the solder paste-mask (solder stencil) layer. If this is not possible make the contact pads thru-hole with finished hole size of 0.008" or less.
4. To avoid ordering confusion, please specify DNL in your BOM.
5. The TC2050-CLIP board can attach to the three alignment pins from underneath the PCB to temporarily retain the cable in place.



14-pin Ribbon Pin #	TC2050-IDC-430 Pin #
1	1
2	2
...	...
8	8
9	9
10	(NC)
11	10
12	(NC)
13	(NC)
14	(NC)

PCB TOP LAYER

SIZE <b>A</b>	FSCM NO.	DWG NO. <b>FOOTPRINT FOR TC2050-IDC-430-FP</b>	REV <b>A</b>
SCALE 10:1	www.TAG-CONNECT.com	SHEET 1 of 3	

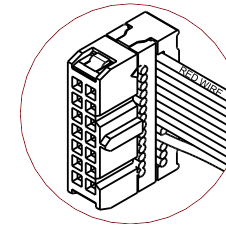
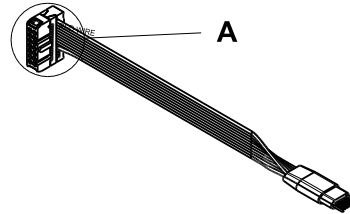
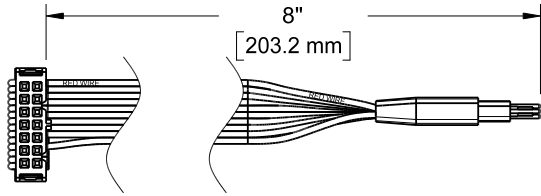


# TC2050-IDC-430-NL PLUG-OF-NAILS™ CABLE FOR MSP430

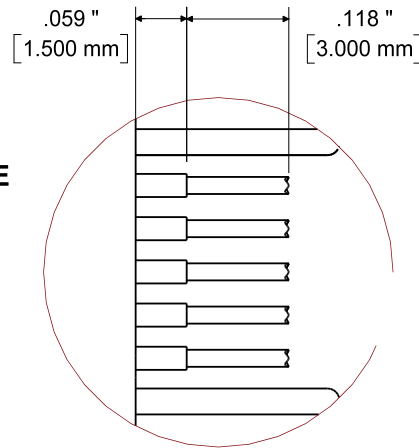
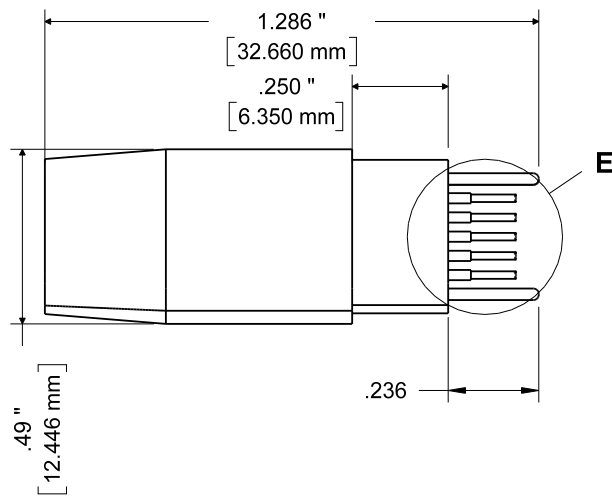
ZONE	REV	TC2050-IDC-430-NL	11/29/10	MS
------	-----	-------------------	----------	----

NOTE:  
Dimensions subject to change

For use with TI MSP-FET and compatible MSP430 JTAG debugger

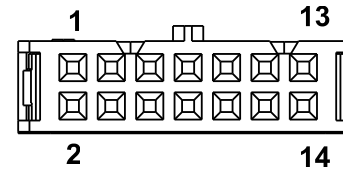


Detail A

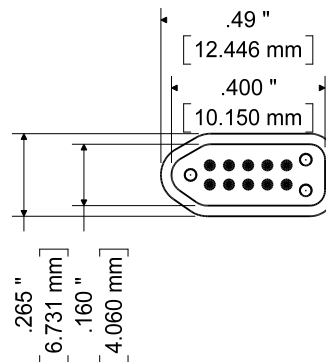
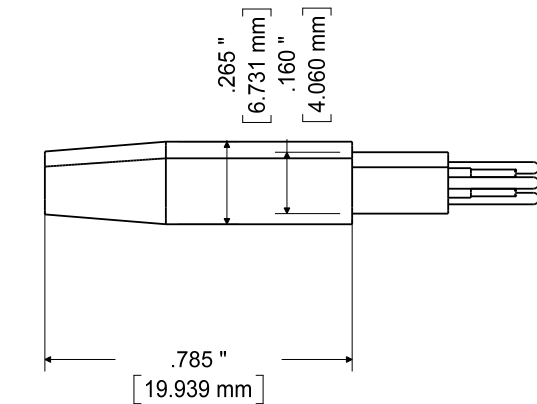
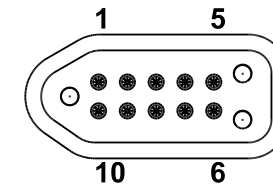


Detail E

END VIEW  
2x7 .1" IDC CONNECTOR



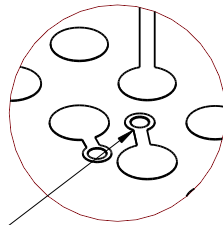
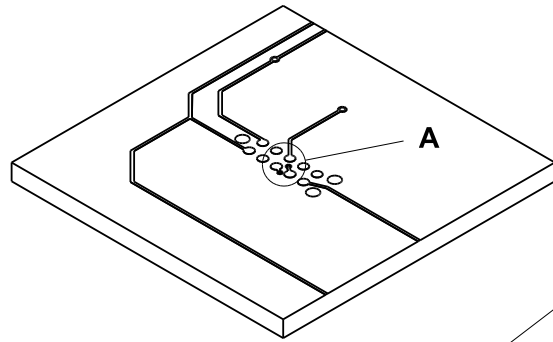
END VIEW  
10 PIN TAG-CONNECT



14-pin Ribbon Pin #	TC2050-IDC-430 Pin #
1	1
2	2
...	...
8	8
9	9
10	(NC)
11	10
12	(NC)
13	(NC)
14	(NC)

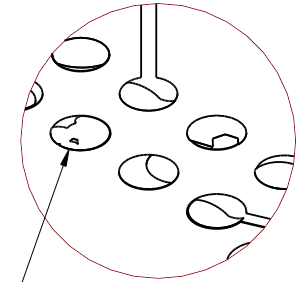
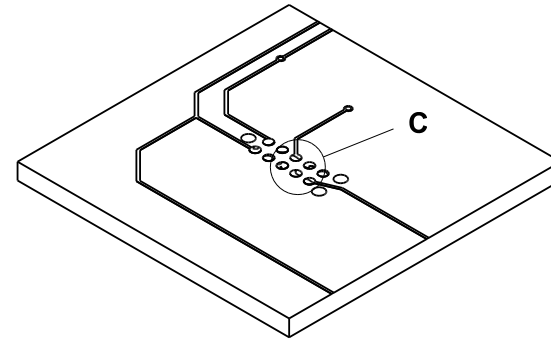
SIZE <b>A</b>	FSCM NO.	DWG NO. <b>TC2050-IDC-430-NL</b>	REV <b>A</b>
SCALE	<a href="http://www.TAG-CONNECT.com">www.TAG-CONNECT.com</a>		SHEET 2 OF 3

# Layout Problems to Avoid



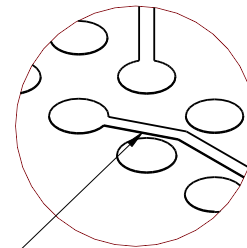
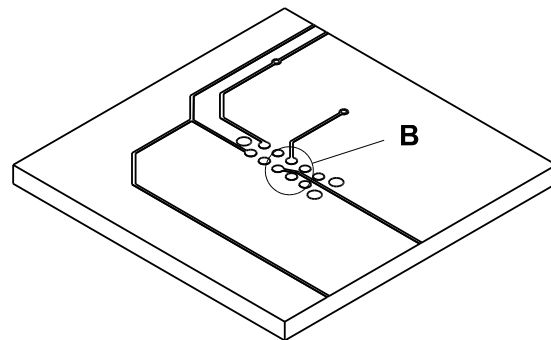
Detail A

Vias between  
contact pads



Detail C

Do not deposit solder paste on  
contact pads. View Solder Paste  
Mask (Solder Stencil) layer in  
pad-stack and eliminate any hole.



Detail B

Traces less than .02"  
away from contact pad  
or in "KEEP OUT" area