



Chipsmall Limited consists of a professional team with an average of over 10 year of expertise in the distribution of electronic components. Based in Hongkong, we have already established firm and mutual-benefit business relationships with customers from,Europe,America and south Asia,supplying obsolete and hard-to-find components to meet their specific needs.

With the principle of “Quality Parts,Customers Priority,Honest Operation,and Considerate Service”,our business mainly focus on the distribution of electronic components. Line cards we deal with include Microchip,ALPS,ROHM,Xilinx,Pulse,ON,Everlight and Freescale. Main products comprise IC,Modules,Potentiometer,IC Socket,Relay,Connector.Our parts cover such applications as commercial,industrial, and automotives areas.

We are looking forward to setting up business relationship with you and hope to provide you with the best service and solution. Let us make a better world for our industry!



Contact us

Tel: +86-755-8981 8866 Fax: +86-755-8427 6832

Email & Skype: info@chipsmall.com Web: www.chipsmall.com

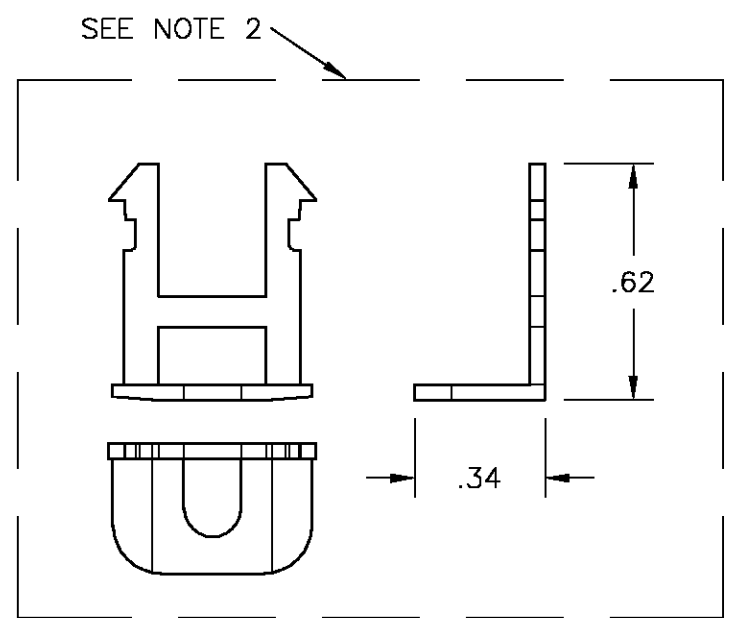
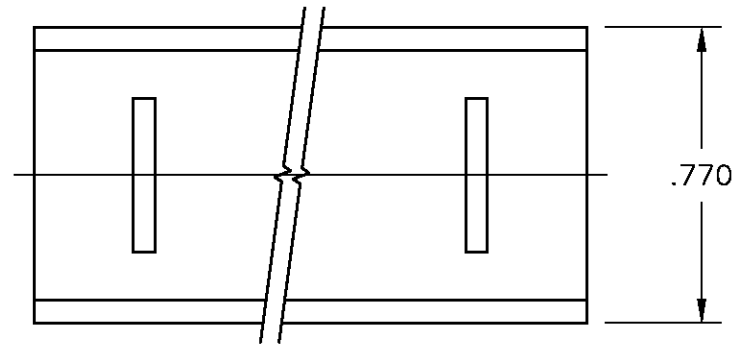
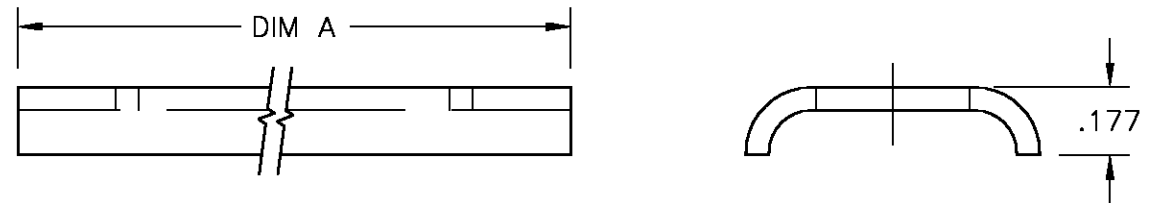
Address: A1208, Overseas Decoration Building, #122 Zhenhua RD., Futian, Shenzhen, China



THIS DRAWING IS UNPUBLISHED. RELEASED FOR PUBLICATION
 © COPYRIGHT BY TYCO ELECTRONICS CORPORATION. ALL RIGHTS RESERVED.

LOC	DIST	REVISIONS			
P	LTR	DESCRIPTION	DATE	DWN	APVD
FT	0	C	REVISED PER 0G3B-0339-04	4/14/04	SS SRY

- NOTE:
1. TERMINAL COVER MADE FROM 640-0442-00.
 2. COVER MOUNTS(2 PER TERMINAL COVER) ARE BULK PACKED UNLESS OTHERWISE SPECIFIED.



9.69	TC9-24-AG	2-1776049-4
9.32	TC9-23-AG	2-1776049-3
8.94	TC9-22-AG	2-1776049-2
8.57	TC9-21-AG	2-1776049-1
8.19	TC9-20-AG	2-1776049-0
7.82	TC9-19-AG	1-1776049-9
7.44	TC9-18-AG	1437645-5
7.07	TC9-17-AG	1-1776049-7
6.69	TC9-16-AG	1-1776049-6
6.32	TC9-15-AG	1-1776049-5
5.94	TC9-14-AG	1437645-4
5.57	TC9-13-AG	1-1776049-3
5.19	TC9-12-AG	1-1776049-2
4.82	TC9-11-AG	2-1437645-1
4.44	TC9-10-AG	1-1776049-0
4.07	TC9-09-AG	1437645-2
3.69	TC9-08-AG	1437645-1
3.32	TC9-07-AG	9-1437644-9
2.94	TC9-06-AG	9-1437644-8
2.57	TC9-05-AG	9-1437644-6
2.19	TC9-04-AG	9-1437644-4
1.82	TC9-03-AG	9-1437644-3
1.44	TC9-02-AG	9-1437644-2

DIM A	CATALOG NUMBER	TYCO PART NO.
-------	----------------	---------------

THIS DRAWING IS A CONTROLLED DOCUMENT.		DWN E. ZANOLINI 05MAR2002	BUCHANAN Tyco Electronics Corporation Harrisburg, Pa 17105-3608		
DIMENSIONS: INCHES 		CHK E. ZANOLINI 05MAR2002			
TOLERANCES UNLESS OTHERWISE SPECIFIED: 0 PLC ± - 1 PLC ± - 2 PLC ± .02 3 PLC ± .010 4 PLC ± - ANGLES ± 1/2		APVD D. BIEVENOUR 05MAR2002	NAME TERMINAL COVER W/COVER MOUNTS		
MATERIAL -		FINISH -	PRODUCT SPEC -	APPLICATION SPEC -	RESTRICTED TO -
		WEIGHT -	SIZE A3	CAGE CODE 00779	DRAWING NO C-9-1437644-2
CUSTOMER DRAWING			SCALE 1:1	SHEET 1 OF 1	REV C