



Chipsmall Limited consists of a professional team with an average of over 10 year of expertise in the distribution of electronic components. Based in Hongkong, we have already established firm and mutual-benefit business relationships with customers from,Europe,America and south Asia,supplying obsolete and hard-to-find components to meet their specific needs.

With the principle of “Quality Parts,Customers Priority,Honest Operation,and Considerate Service”,our business mainly focus on the distribution of electronic components. Line cards we deal with include Microchip,ALPS,ROHM,Xilinx,Pulse,ON,Everlight and Freescale. Main products comprise IC,Modules,Potentiometer,IC Socket,Relay,Connector.Our parts cover such applications as commercial,industrial, and automotives areas.

We are looking forward to setting up business relationship with you and hope to provide you with the best service and solution. Let us make a better world for our industry!



Contact us

Tel: +86-755-8981 8866 Fax: +86-755-8427 6832

Email & Skype: info@chipsmall.com Web: www.chipsmall.com

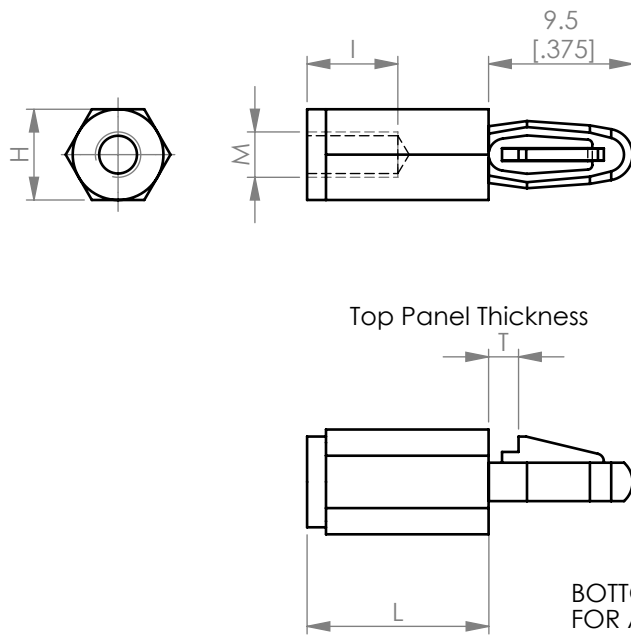
Address: A1208, Overseas Decoration Building, #122 Zhenhua RD., Futian, Shenzhen, China



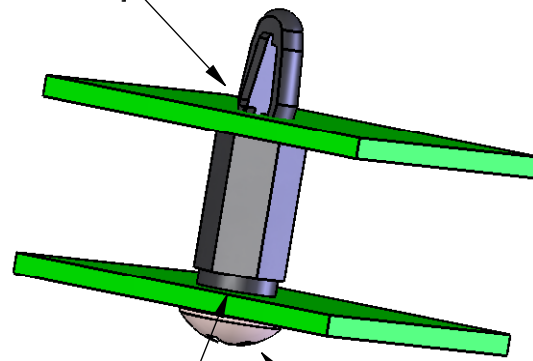
AVAILABLE BY SPECIAL ORDER- NAFTA REGION ONLY

REV.	MODIFICATION.	DATE	DRN
03	ECN-05-081	26/07/05	NJB
04	ECN-07-193	08/11/07	SF
05	CO-2010035	08/02/08	TC
06	CO-2010578	24/02/09	TC
07	CO-2010636	27/04/09	SF
08	CO-2010649	28/07/09	OW

PART NO.	M	H	T	L																														
TCBN-T1-M3-6-L	M3	6.0 [.237]	1.6 [.063]	5.0 [.197]	6.0 [.236]	7.0 [.276]	8.0 [.315]	9.0 [.355]	10.0 [.394]	11.0 [.434]	12.0 [.473]	13.0 [.512]	14.0 [.552]	15.0 [.591]	16.0 [.630]	17.0 [.670]	18.0 [.709]	19.0 [.749]	20.0-61.0 [.788-2.402]															
TCBN-T1-M3-8-L		8.0 [.315]																																
TCBN-T2-M3-6-L		6.0 [.237]	2.0 [.079]																															
TCBN-T2-M3-8-L		8.0 [.315]																																
TCBN-T1-M4-8-L	M4	8.0 [.315]	1.6 [.063]																															
TCBN-T2-M4-8-L		8.0 [.315]	2.0 [.079]																															
																				I+1-0.5	3.0 [.118]	4.0 [.158]	5.0 [.178]	6.0 [.236]	7.0 [.276]	8.0 [.315]	9.0 [.355]	10.0 [.394]						



TOP PCB -
MOUNTING
HOLE DIA
4 +/- 0.08
[.158 +/- .003]



BOTTOM PCB MOUNTING HOLE
FOR ANY PANEL THICKNESS:
DIA 3.2 [.125] FOR M3 SCREW
DIA 4.8 [.188] FOR M4 SCREW

FIXING SCREW
NOT SUPPLIED

NOTES:

- 1) ALL PRIMARY DIMENSIONS IN mm, SECONDARY DIMENSIONS IN [INCHES].
- 2) LENGTHS AVAILABLE IN INCREMENTS OF 1mm.

INFORMATION CONTAINED IN THIS DOCUMENT IS CONFIDENTIAL TO RICHCO INTERNATIONAL Co. Ltd. AND MAY NOT BE DISCLOSED OR REPRODUCED IN WHOLE OR PART WITHOUT THEIR WRITTEN CONSENT

RICHCO, INC.
WWW.RICHCO-INC.COM

METRIC GENERAL TOLERANCES ±0.25
ARE PRIMARY UNLESS OTHERWISE STATED
1 DECIMAL PLACE ±
2 DECIMAL PLACES ±
ANGULAR ±1°

IMPERIAL GENERAL TOLERANCES ±0.010
ARE FOR REFERENCE UNLESS OTHERWISE STATED
1 DECIMAL PLACE ±
2 DECIMAL PLACES ±
ANGULAR ±1°

MATERIAL:
NYLON 6/6 (RMS-172)

COLOUR:
BLACK

TITLE: THREADED CIRCUIT BOARD
SUPPORT, NYLON

PART No:
TCBN-TX-MD-H-L

DRG No:
04-133

NPR REF:

SIZE
A4

DRN
NJB

DATE
26/10/04

CHKD
RC

DATE
26/10/04

SCALE
NTS

SHEET No
1 OF 1