

Chipsmall Limited consists of a professional team with an average of over 10 year of expertise in the distribution of electronic components. Based in Hongkong, we have already established firm and mutual-benefit business relationships with customers from,Europe,America and south Asia,supplying obsolete and hard-to-find components to meet their specific needs.

With the principle of “Quality Parts,Customers Priority,Honest Operation,and Considerate Service”,our business mainly focus on the distribution of electronic components. Line cards we deal with include Microchip,ALPS,ROHM,Xilinx,Pulse,ON,Everlight and Freescale. Main products comprise IC,Modules,Potentiometer,IC Socket,Relay,Connector.Our parts cover such applications as commercial,industrial, and automotives areas.

We are looking forward to setting up business relationship with you and hope to provide you with the best service and solution. Let us make a better world for our industry!

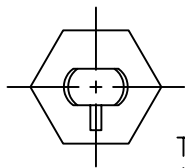


## Contact us

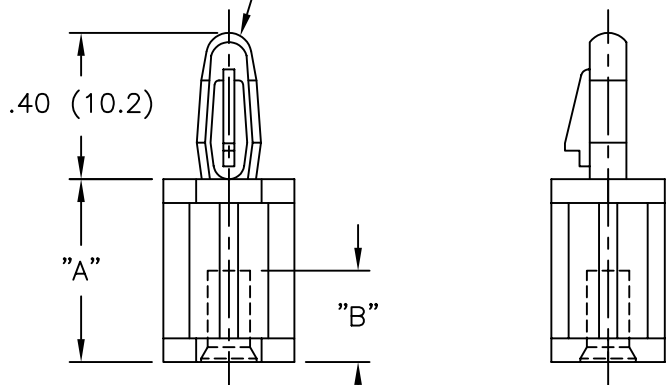
Tel: +86-755-8981 8866 Fax: +86-755-8427 6832

Email & Skype: [info@chipsmall.com](mailto:info@chipsmall.com) Web: [www.chipsmall.com](http://www.chipsmall.com)

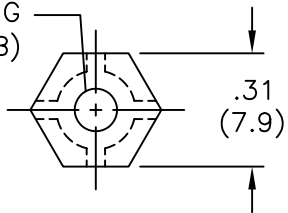
Address: A1208, Overseas Decoration Building, #122 Zhenhua RD., Futian, Shenzhen, China



TO SNAP-LOCK IN A  $.156 \pm .003$   
( $4.00 \pm 0.08$ ) DIA. HOLE, IN A  
.062 (1.57) THICK BOARD



FOR #6 (M3.5)  
SELF-TAPPING  
SCREW (TYPE B)



NYLON 6/6 (RMS-01) COLOR: NATURAL PART NO.	FLAME RET. (RMS-19) COLOR: NATURAL PART NO.	DIM "A" $\pm .015$ ( $\pm 0.4$ )	DIM "B" $\pm .015$ ( $\pm 0.4$ )
TCBS-4-01	TCBS-4-19	1/4 (6.4)	13/64 (5.2)
TCBS-6-01	TCBS-6-19	3/8 (9.5)	5/16 (7.9)
TCBS-8-01	TCBS-8-19	1/2 (12.7)	
TCBS-10-01	TCBS-10-19	5/8 (15.9)	
TCBS-12-01	TCBS-12-19	3/4 (19.1)	
TCBS-14-01	TCBS-14-19	7/8 (22.2)	
TCBS-16-01	TCBS-16-19	1 (25.4)	
TCBS-18-01	TCBS-18-19	1-1/8 (28.6)	
TCBS-20-01	TCBS-20-19	1-1/4 (31.7)	
TCBS-22.5-01	TCBS-22.5-19	1-13/32 (35.7)	

TITLE: SCREW-MOUNT CIRCUIT BOARD SUPPORT					DWG IN IN (MM)	
TOLERANCES UNLESS NOTED .XX= $\pm .010$ .XXX= $\pm .005$ FRAC= $\pm 1/64$ ANG= $\pm 1^\circ$	FILE # TCBS	DWN: P.B.	APP:	FINAL		
	MAT'L: SEE NOTES	DT: 01-23-95	DT:	PART #		PRINT TYPE
	RE: RICHCO INC.	RICHCO INC. PO BOX 804238, CHICAGO, 60680 (773) 539-4060		SEE TABLE		CA

B	REMOVED NOTES. AND CHANGED FILE NO.	SM 04.19.02
A	CONVERTED TO ACAD	PB 01.23.95
REV	DESCRIPTION	ENGR DATE