



Chipsmall Limited consists of a professional team with an average of over 10 year of expertise in the distribution of electronic components. Based in Hongkong, we have already established firm and mutual-benefit business relationships with customers from,Europe,America and south Asia,supplying obsolete and hard-to-find components to meet their specific needs.

With the principle of "Quality Parts,Customers Priority,Honest Operation,and Considerate Service",our business mainly focus on the distribution of electronic components. Line cards we deal with include Microchip,ALPS,ROHM,Xilinx,Pulse,ON,Everlight and Freescale. Main products comprise IC,Modules,Potentiometer,IC Socket,Relay,Connector.Our parts cover such applications as commercial,industrial, and automotives areas.

We are looking forward to setting up business relationship with you and hope to provide you with the best service and solution. Let us make a better world for our industry!



## Contact us

Tel: +86-755-8981 8866 Fax: +86-755-8427 6832

Email & Skype: info@chipsmall.com Web: www.chipsmall.com

Address: A1208, Overseas Decoration Building, #122 Zhenhua RD., Futian, Shenzhen, China





# TCM-RF-D Series RF Wireless Lighting Module

Rev 8-8-2017

Intelligent Device  
**ECOSYSTEM**  
dynamic

Line Voltage Control Module with On/Off & 0-10V Dimming

## Module Electrical Specifications

Input Voltage Range:	100-277 Vac
Frequency:	50/60 Hz Nom. (47-63 Hz Min/Max)
AC Relay Switched Current:	≤9A
AC Relay Inrush Current:	≤60A
Input Current Module Power:	≤0.05A power for control only
Wattage:	800W Max

## Module Environmental Specifications

Maximum Case Temp.:	72°C
Operating Temperature:	-5°C to +50°C
Storage Temperature:	-40°C to +80°C
Humidity:	5% to 95%
Cooling:	Convection
Vibration Frequency:	5 to 55 Hz/2g, 30 minutes
Impact Resistance:	1g/s
EMC:	FCC 47CFR Part 15 Class B compliant
Weight:	3.7oz. (105g)

## Remote Specifications

RF:	2.4GHz RF Remote Control
Emission Power:	8dbm
Power by:	(2) AAA batteries (Included)
Working voltage:	3V
Radio frequency:	2400-2483.5MHz
Modulation mode:	GFSK
Standby Power Consumption:	5uA, Control distance 65 - 98 feet
Size:	4.33in Long x 2.12in Wide x 0.78in Height
Low Battery Indicator:	When the red LED indicator on the face of the remote control remains on it means batteries need to be changed.

- RF Cordless Remote Wireless Control for Luminaires
- 2.4GHz, +8dBm RF
- ON/OFF and 0-10V Analog Dimming Control, 100mA Sink
- Compatible with LED Drivers & Electronic Ballasts that comply with IEC60929 Annex E2, 0-10V Dimming
- ON/OFF switching up to 277Vac @9A Max
- Stores last dim setting even when driver is powered off by the module
- Dust Proof Design IP50
- Gray 5VA PC ABS Plastic Case
- UL Dry & Damp location rated
- TCM-RF-REMOTE 2.4GHz RF handheld controls on/off as well as brightness when programmed to TCM-RF-D modules
- Each TCM-RF-D module can be synced to 20 separate remotes max
- Each TCM-RF remote can be synced to 20 separate modules per group max
- Designed for one module per luminaire
- UL2043 Plenum Rated for use in ceiling spaces
- 5 year warranty



## Controllers

Model	Description
TCM-RF-D	Thomas Control Module - RF Cordless Dimming Control

Class 2: US/Canada

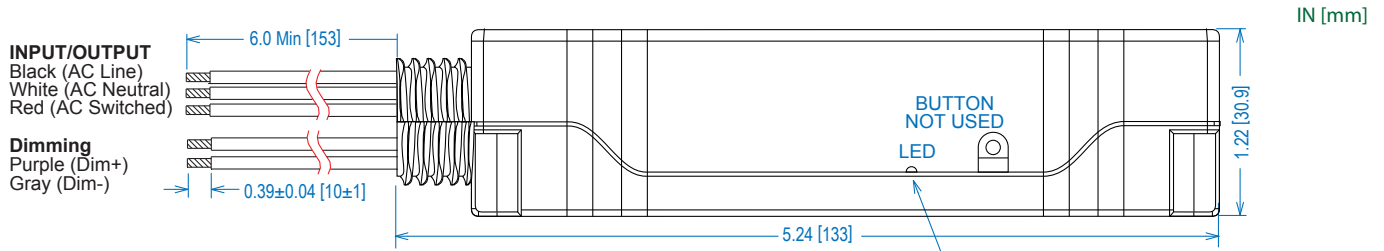
## Accessories

Model	Description
TCM-RF-REMOTE	Thomas Control Module - RF Cordless Remote

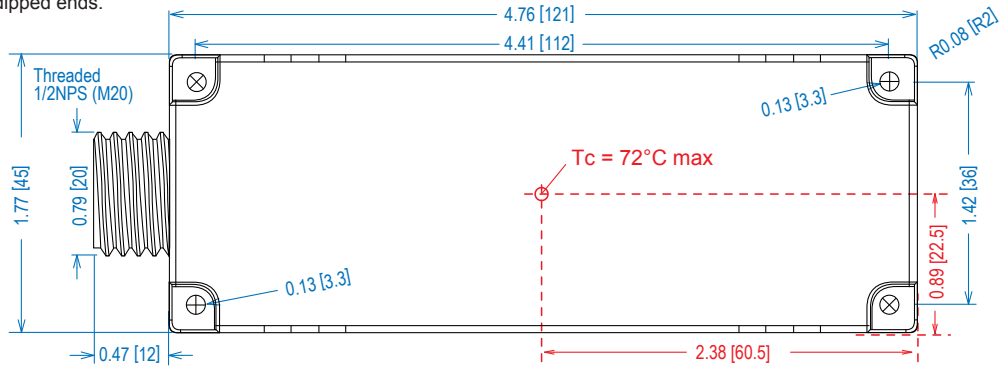
Safety Cert.	Standard
UL/CUL	UL8750 & CAN/CSA C22.2 No. 250.13, UL2043 Plenum Rated
CE	EN 61347-1, EN61347-2-13
EMC Standard	Notes
Withstand Voltage Relay	Input to Output Across Relay Contacts: 700 Vac
Withstand Voltage AC In to Dim Out	Input to DIM: >1750 Vac
Dimming Circuit	UL & cUL Isolated Class 2, Dim+ Purple/Dim- Gray
FCC Part 15	Class B
EN61000-4-5	2kV L-N, 8/20 usec surge protection



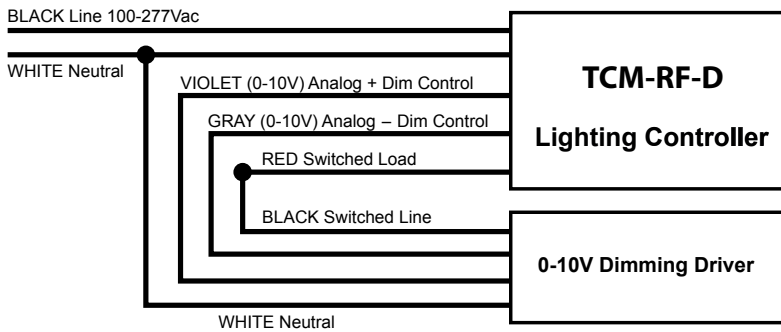
## Dimensions



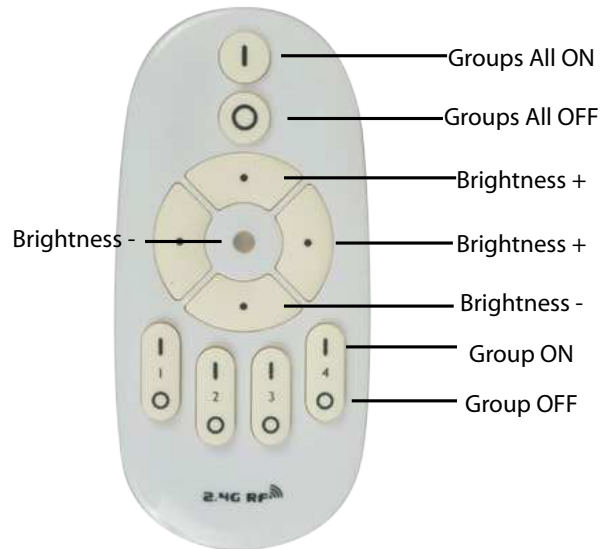
**WIRE SPECS:**  
**Input Leads:** 18 AWG, rated 600 V, 105C, min.  
**Output Leads:** 18 AWG, rated 600 V, 105C, min.  
**Dimming Leads:** 22 AWG, rated 300 V, 105C, min.  
 All wires are stranded with solder dipped ends.



## Typical Application Circuit



## RF Remote



**TCM-RF-REMOTE**

## UL Conditions of Acceptability

See website for additional information