



Chipsmall Limited consists of a professional team with an average of over 10 year of expertise in the distribution of electronic components. Based in Hongkong, we have already established firm and mutual-benefit business relationships with customers from,Europe,America and south Asia,supplying obsolete and hard-to-find components to meet their specific needs.

With the principle of “Quality Parts,Customers Priority,Honest Operation,and Considerate Service”,our business mainly focus on the distribution of electronic components. Line cards we deal with include Microchip,ALPS,ROHM,Xilinx,Pulse,ON,Everlight and Freescale. Main products comprise IC,Modules,Potentiometer,IC Socket,Relay,Connector.Our parts cover such applications as commercial,industrial, and automotives areas.

We are looking forward to setting up business relationship with you and hope to provide you with the best service and solution. Let us make a better world for our industry!



## Contact us

Tel: +86-755-8981 8866 Fax: +86-755-8427 6832

Email & Skype: info@chipsmall.com Web: www.chipsmall.com

Address: A1208, Overseas Decoration Building, #122 Zhenhua RD., Futian, Shenzhen, China





# TCM-ZBLV-D Series

ZigBee Wireless Lighting Module  
Low Voltage Control Module with 0-10V Dimming

Rev 8-8-2017

Intelligent Device  
**ECOSYSTEM**

## Electrical Specifications

Input Voltage Range:	11-13Vdc
Input Current Module Power:	≤0.09A for Units power use

## Environmental Specifications

Maximum Case Temp.	72°C
Operating Temperature:	-20°C to +60°C
Storage Temperature:	-40°C to +80°C
Humidity:	5% to 95%
Cooling:	Convection
Vibration Frequency:	5 to 55 Hz/2g, 30 minutes
Impact Resistance:	1g/s
EMC:	FCC 47CFR Part 15 Class B compliant
Weight:	2.1 oz (59g)

- 2.4GHz, +20dBm ZigBee transmit power
- 0-10V Analog Dimming Control, 50mA Sink
- Compatible with LED Drivers & Electronic Ballasts that comply with IEC60929 Annex E2, 0-10V Dimming
- Dust Proof Design IP50
- Daintree Networks Controlscope Certified
- ZigBee HA Certified
- Gray 5VA PC ABS Plastic Case
- UL Dry & Damp location rated
- Reset Button for use with recommissioning.
- Designed for one module per luminaire
- UL2043 Plenum Rated for use in ceiling spaces
- 5 year warranty



## Controllers

Model	Description
TCM-ZBLV-D	Thomas Control Module - ZigBee Wireless Dimming Control

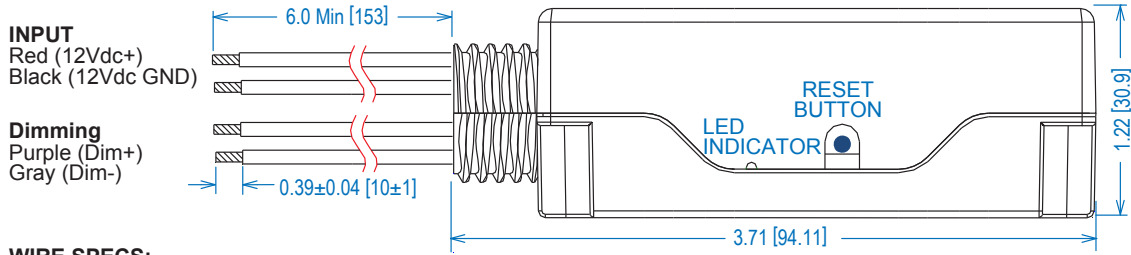
Class 2: US/Canada

Safety Cert.	Standard
UL/CUL	UL8750 & CAN/CSA C22.2 No. 250.13, UL2043 Plenum Rated
CE	EN 61347-1, EN61347-2-13
EMC Standard	Notes
Dimming Circuit	UL & cUL Isolated Class 2, Dim+ Purple/Dim- Gray
FCC Part 15	Class B

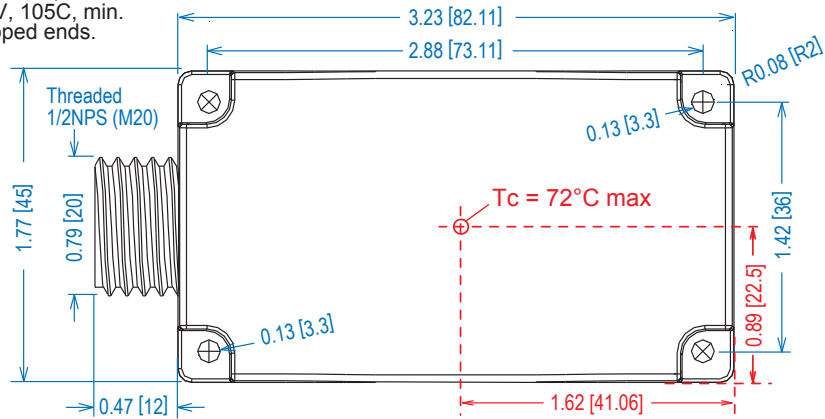
ZigBee is a registered trademark of the ZigBee Alliance.  
Daintree Networks and Controlscope are trademarks of Daintree Networks Inc.



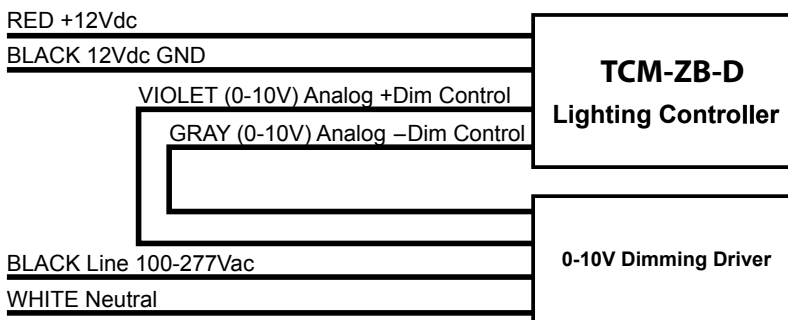
## Dimensions



**WIRE SPECS:**  
**Input Leads:** 22 AWG, rated 300 V, 105C, min.  
**Output Leads:** 22 AWG, rated 300 V, 105C, min.  
 All wires are stranded with solder dipped ends.



## Typical Application Circuit



## Reset Operation

### Reset Button

The reset button is used to un-join a Zigbee network and reset the TCM-ZBLV-D to factory defaults. To reset: Press and hold the reset button for 7 seconds. You will hear an internal relay click once reset occurs. The green LED indicator will flash On/Off when not joined to a Zigbee network.

### Joined

The green LED indicator will remain ON when TCM-ZBLV-D has successfully joined a Zigbee network.

## UL Conditions of Acceptability

See website for additional information