



Chipsmall Limited consists of a professional team with an average of over 10 year of expertise in the distribution of electronic components. Based in Hongkong, we have already established firm and mutual-benefit business relationships with customers from,Europe,America and south Asia,supplying obsolete and hard-to-find components to meet their specific needs.

With the principle of “Quality Parts,Customers Priority,Honest Operation,and Considerate Service”,our business mainly focus on the distribution of electronic components. Line cards we deal with include Microchip,ALPS,ROHM,Xilinx,Pulse,ON,Everlight and Freescale. Main products comprise IC,Modules,Potentiometer,IC Socket,Relay,Connector.Our parts cover such applications as commercial,industrial, and automotives areas.

We are looking forward to setting up business relationship with you and hope to provide you with the best service and solution. Let us make a better world for our industry!



## Contact us

Tel: +86-755-8981 8866 Fax: +86-755-8427 6832

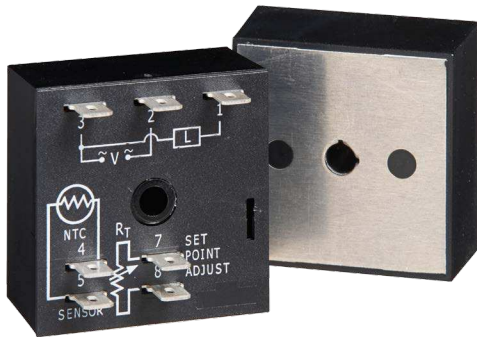
Email & Skype: info@chipsmall.com Web: www.chipsmall.com

Address: A1208, Overseas Decoration Building, #122 Zhenhua RD., Futian, Shenzhen, China

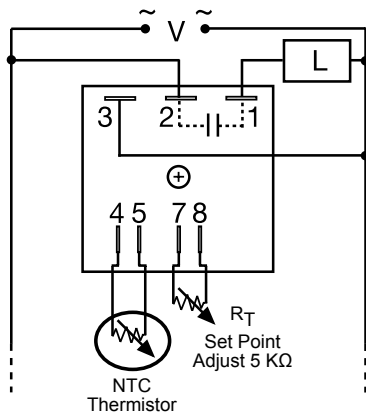


# TCR9C

## Temperature Controller



### Wiring Diagram



V = Voltage  
L = Load

**Caution:** NTC Thermistor must be electrically insulated, 1500 volts RMS minimum.

### Description

The TCR9C of solid-state temperature control is a low cost modular approach to accurate control of temperature. The high power output is available in 20 amperes and provides setpoint temperature control. The efficient mounting surface allows for utilization of equipment as the heat sink. Designed for use with resistive loads.

#### Operation

**Setpoint Control:** TCR9C is a single setpoint temperature controller. When the thermistor resistance is high (above the setpoint), the solid-state output is ON. When the thermistor resistance decreases (temperature increases) to setpoint or below, the output turns OFF. It must be recognized that temperature differential (under and overshoot) is largely due to the system as a whole. The mass of the system, size of the heaters and sensor all play an important part. Single setpoint control is best when there is little or no lag time between heater and sensor, and when the heater is not oversized.

### Features & Benefits

- NTC thermistor sensing for low cost setpoint control
- Solid-state output to control resistive heaters
- External adjustment of the setpoint
- Small package, encapsulated, single-screw mounting
- Metal mounting surface utilizes equipment as heat sink

### Accessories



**P1015-13** (AWG 10/12), **P1015-64** (AWG 14/16), **P1015-14** (AWG 18/22) **Female Quick Connect**  
These 0.25 in. (6.35 mm) female terminals are constructed with an insulator barrel to provide strain relief.

### Specifications

#### Control

<b>Type</b>	Single setpoint, negative temperature coefficient resistance sensing
<b>Sensor Type</b>	Thermistor, negative temperature coefficient (customer supplied)
<b>Adjustment</b>	Electrically insulated for 1500V RMS min. Temperature setpoint selected by means of an external resistance
<b>Accuracy</b>	≤ ±5% of the setpoint resistance Add the tolerance of the NTC thermistor and the drift of the adj. pot over temp. range

#### Setpoint vs. Ambient Temperature and Operating Voltage

±5% of setpoint resistance

Reset Time ≤ 150ms

#### Input

<b>Voltage</b>	120 - 240VAC
<b>Tolerance</b>	±15%
<b>AC Line Frequency</b>	50/60 Hz

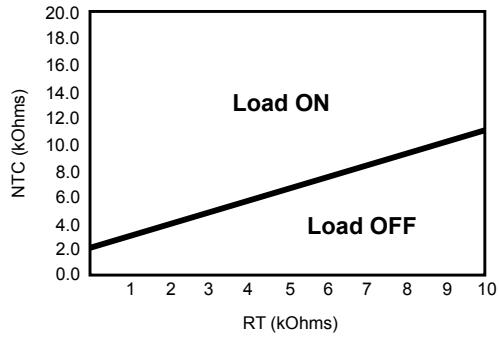
#### Output

<b>Type</b>	Solid state
<b>Form</b>	Non-isolated, single pole, zero voltage switching
<b>Rating</b>	<b>Model</b> <b>Steady State</b> <b>Inrush**</b>
	C                      20A                      200A**
<b>Minimum Load Current</b>	100mA
<b>Voltage Drop</b>	≅ 2V at rated current
<b>Off State Leakage Current</b>	≅ 5mA @ 230VAC
<b>Protection</b>	
<b>Dielectric Breakdown</b>	≥2000 volts terminals to mounting surface
<b>Isolation Voltage</b>	≥100mΩ
<b>Circuitry</b>	Encapsulated
<b>Mechanical</b>	
<b>Mounting</b>	Surface mount with one #10 (M5 x 0.8) screw
<b>Dimensions</b>	<b>H</b> 50.8 mm (2.0"); <b>W</b> 50.8 mm (2.0"); <b>D</b> 38.4 mm (1.51") 0.25 in. (6.35mm) male quick connect terminals
<b>Termination</b>	
<b>Environmental</b>	
<b>Operating/Storage</b>	
<b>Temperature</b>	-40° to 60°C / -40° to 85°C
<b>Humidity</b>	95% relative, non-condensing
<b>Weight</b>	≅ 2.7 oz (77 g)

\*\* Must be bolted to a metal surface using the included heat sink compound. The maximum mounting surface temperature is 90°C. Inrush: non-repetitive for 16ms.

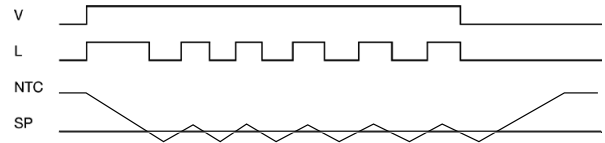
# TCR9C

## Adjustment vs. Thermistor Resistance



Note: If  $R_T$  value exceeds 13kOhms, the output will not energize.

## Function Diagram



V = Voltage  
L = Load  
SP = Setpoint  
NTC = Negative Temperature Coefficient Thermistor