



Chipsmall Limited consists of a professional team with an average of over 10 year of expertise in the distribution of electronic components. Based in Hongkong, we have already established firm and mutual-benefit business relationships with customers from,Europe,America and south Asia,supplying obsolete and hard-to-find components to meet their specific needs.

With the principle of "Quality Parts,Customers Priority,Honest Operation,and Considerate Service",our business mainly focus on the distribution of electronic components. Line cards we deal with include Microchip,ALPS,ROHM,Xilinx,Pulse,ON,Everlight and Freescale. Main products comprise IC,Modules,Potentiometer,IC Socket,Relay,Connector.Our parts cover such applications as commercial,industrial, and automotives areas.

We are looking forward to setting up business relationship with you and hope to provide you with the best service and solution. Let us make a better world for our industry!



Contact us

Tel: +86-755-8981 8866 Fax: +86-755-8427 6832

Email & Skype: info@chipsmall.com Web: www.chipsmall.com

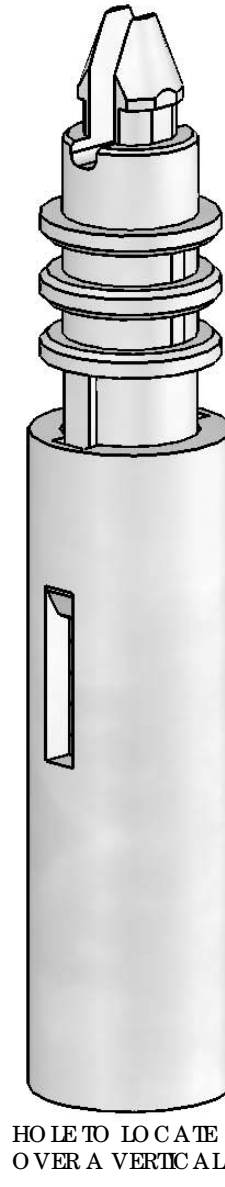
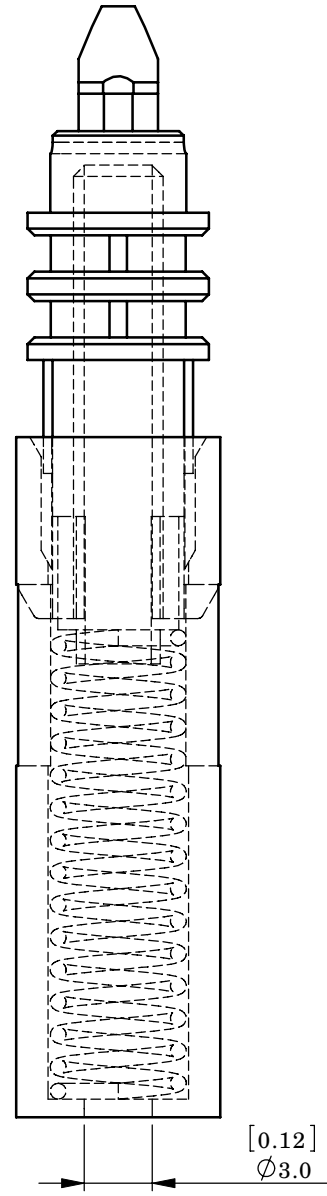
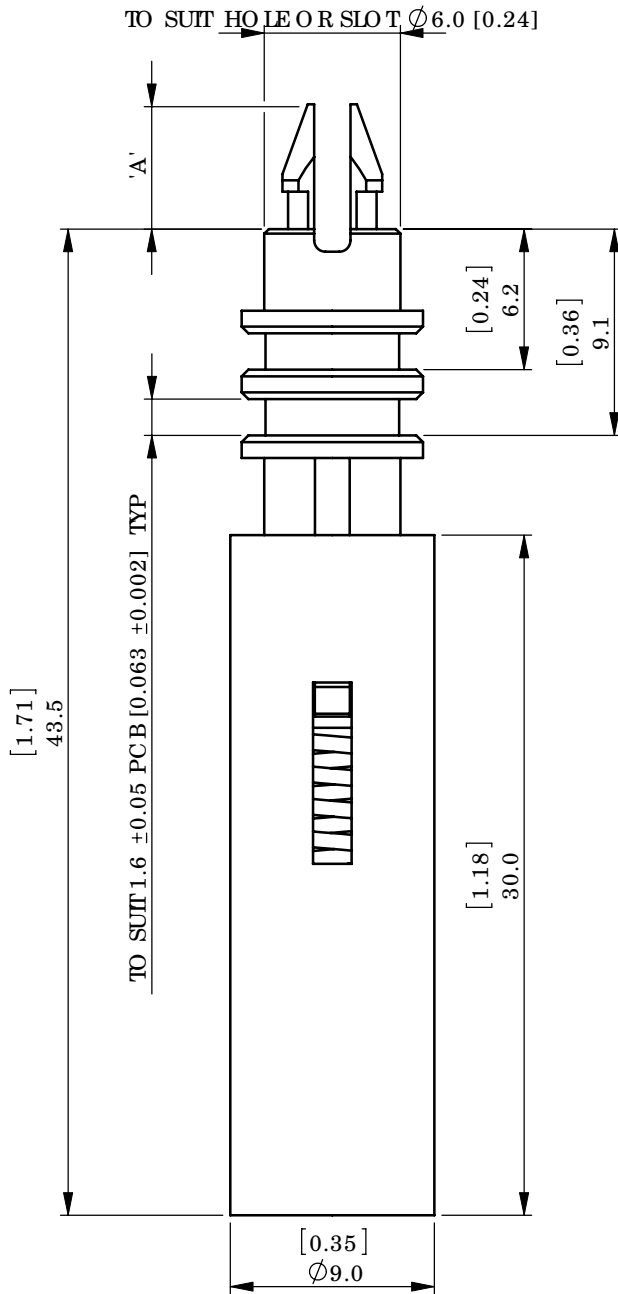
Address: A1208, Overseas Decoration Building, #122 Zhenhua RD., Futian, Shenzhen, China



PATENT PENDING

PARTNO.	"A" DIM	MATERIAL	TRAVEL
TCS-1	5.4[0.22]	RMS-01	3.0[0.12]
TCS-2		RMS-19	
TCS-3	4.2[0.16]	RMS-01	
TCS-4		RMS-19	

REV	MODIFICATION	DATE	DRN
1	PRODUCTION RELEASE	27/10/04	IC
2	SCN 2004-206	02/12/04	IC
3	SCN 2005-066	24/05/05	IC
4	CO2010418	01/10/08	IC
5	CO2010390	21/10/08	IC
6	CO2010566	17/02/09	S.F



HOLE TO LOCATE OVER A VERTICAL TAB

FIX TO SNAP-LOCK INTO :
 $\text{Ø}4.2 \pm 0.05$ [0.165" ± 0.002 "] HOLE
 1.6 ± 0.05 [0.063" ± 0.002 "] PANEL THICKNESS

MATERIAL: NYLON 6/6 UL94 V-2 (RMS-01)
 OR NYLON 6/6 UL94 V-0 (RMS-19)
 SPRING : STAINLESS STEEL (RMS-230)

OTHER SPRING FORCES, MOUNTS
 & SPACER LENGTHS AVAILABLE
 BY SPECIAL ORDER.

ALTERNATE UNITS FOR REFERENCE ONLY

INFORMATION CONTAINED IN THIS DOCUMENT IS CONFIDENTIAL TO RICHCO INTERNATIONAL Co., Ltd. AND MAY NOT BE DISCLOSED OR REPRODUCED IN WHOLE OR PART WITHOUT THEIR WRITTEN CONSENT

	METRIC GENERAL TOLERANCES ± 0.25 ARE PRIMARY UNLESS OTHERWISE STATED 1 DECIMAL PLACE ± 0.25 2 DECIMAL PLACES ± 0.10 ANGULAR $\pm 1^\circ$
	IMPERIAL GENERAL TOLERANCES ± 0.010 ARE FOR REFERENCE UNLESS OTHERWISE 1 DECIMAL PLACE ± 0.01 2 DECIMAL PLACES ± 0.005 ANGULAR $\pm 1^\circ$

MATERIAL: SEE ABOVE		COLOUR: NATURAL	
TITLE: TOUCH CONTROL SPACER		PART No: TCS - X	
DRG No: 04-111	NPR REF: 2004-108	SIZE A4	
DRN IC	DATE 22/10/04	CHKD SF	DATE 17/02/09
SCALE 3:1		SHEET No 1 OF 1	