



Chipsmall Limited consists of a professional team with an average of over 10 year of expertise in the distribution of electronic components. Based in Hongkong, we have already established firm and mutual-benefit business relationships with customers from,Europe,America and south Asia,supplying obsolete and hard-to-find components to meet their specific needs.

With the principle of “Quality Parts,Customers Priority,Honest Operation,and Considerate Service”,our business mainly focus on the distribution of electronic components. Line cards we deal with include Microchip,ALPS,ROHM,Xilinx,Pulse,ON,Everlight and Freescale. Main products comprise IC,Modules,Potentiometer,IC Socket,Relay,Connector.Our parts cover such applications as commercial,industrial, and automotives areas.

We are looking forward to setting up business relationship with you and hope to provide you with the best service and solution. Let us make a better world for our industry!



Contact us

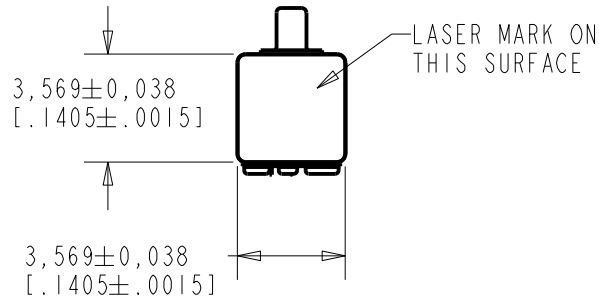
Tel: +86-755-8981 8866 Fax: +86-755-8427 6832

Email & Skype: info@chipsmall.com Web: www.chipsmall.com

Address: A1208, Overseas Decoration Building, #122 Zhenhua RD., Futian, Shenzhen, China

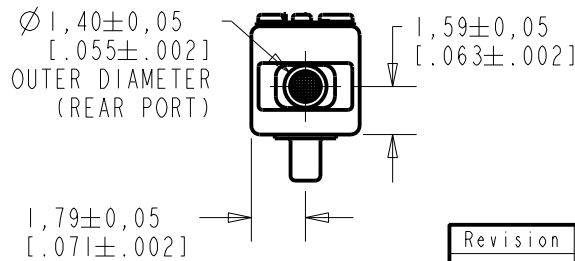
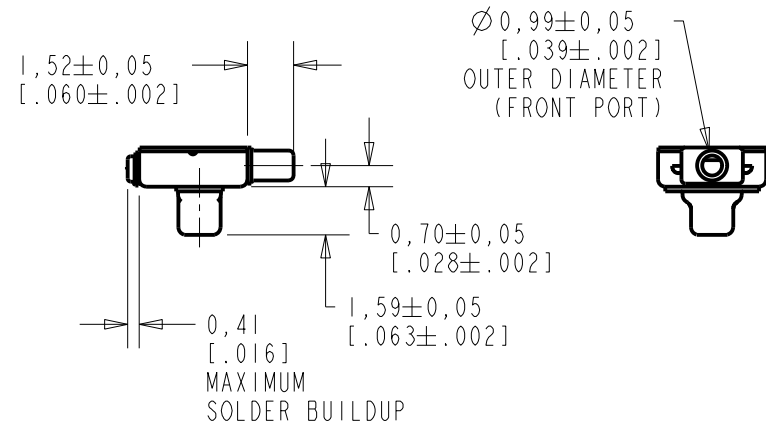
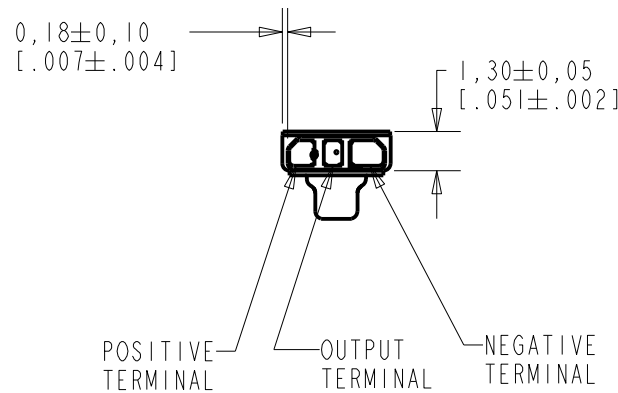


TD-24610-000
SHT 1.1



NOTES:

- INCREASED PRESSURE AT THE SOUND INLET CAUSES A POSITIVE GOING VOLTAGE TO APPEAR AT THE OUTPUT TERMINAL, RELATIVE TO THE NEGATIVE TERMINAL.



NOMINAL WEIGHT
.063 GRAMS

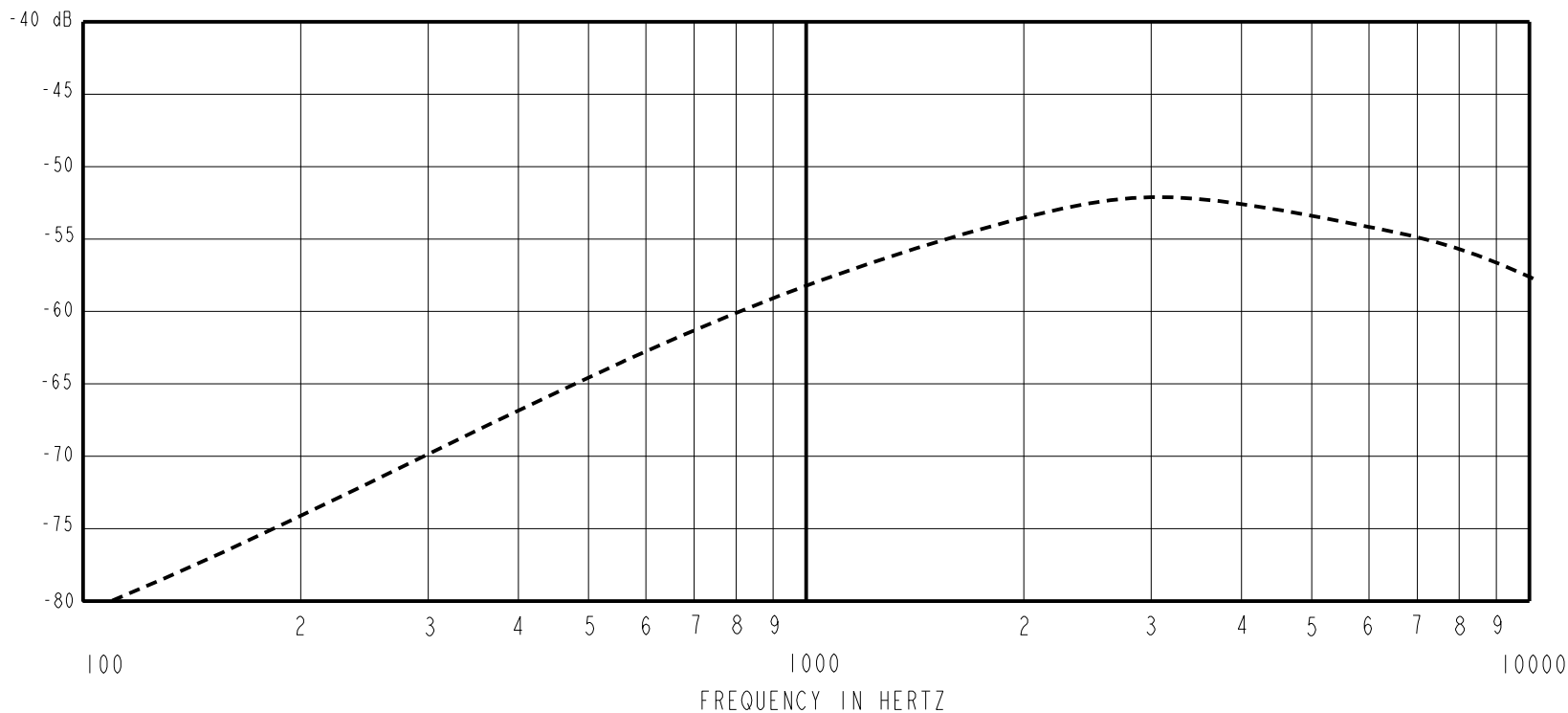
DIMENSIONS IN MILLIMETERS [INCHES]

| Revision | C.O. # | Implementation Date | RELEASE LEVEL | REVISION |
|----------|-----------|---------------------|---------------|----------|
| H | MI0105050 | 5-20-13 | Active | H |
| G | MI0104483 | 1-31-12 | | |

| | | | |
|----------------------|--|---------|---------|
| SCALE: 4:1 | | DR. BY | DATE |
| DO NOT SCALE DRAWING | | MMM | 1-17-06 |
| TITLE: MICROPHONE | | CK. BY | DATE |
| OUTLINE DRAWING | | GJP | 1-19-06 |
| TD-24610-000 | | APP. BY | DATE |
| SHT 1.1 | | GJP | 1-19-06 |

KNOWLES ELECTRONICS
ITASCA, ILLINOIS U.S.A.

SENSITIVITY IN dB RELATIVE TO 1.0 VOLT/0.1 Pa (N/M²)
FOR CONDITIONS SHOWN BELOW.

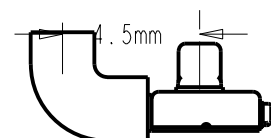
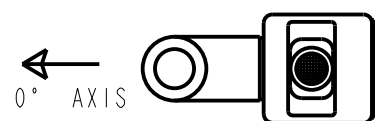


| FREQUENCY | SENSITIVITY | | | DEVICE CONFORMITY | |
|-----------|-------------|-------|-------|------------------------------|-------|
| | MIN. | NOM. | MAX. | RANGE OF DEVIATION FROM 1KHz | |
| 100 | --- | -68.0 | --- | -13.5 | -2.5 |
| 1000 | -60.5 | -57.5 | -54.5 | 0.0 | 0.0 |
| ~9500 | --- | -50.0 | --- | +4.0 | +10.0 |

| INTERNAL DELAY | 8μS | 11μS | 14μS |
|----------------|-----|------|------|
|----------------|-----|------|------|

- NOTES:
1. CASE CONNECTED TO NEGATIVE TERMINAL.
 2. MICROPHONE TO BE FUNCTIONAL WITH 1.6 VDC SUPPLY.
 3. TYPICAL SENSITIVITY TO HUMIDITY AT 1000Hz IS 0.07 dB/%RH
 4. SENSITIVITY AND NOISE VALUES INDICATED ON THIS SPECIFICATION ARE VALID AT 50% HUMIDITY.
 5. MICROPHONE TESTED WITH REAR PORT BLOCKED.

| PORT LOCATION | DC SUPPLY | AMPLIFIER CURRENT DRAIN | SENSITIVITY CHANGE ON REDUCING SUPPLY TO 0.9VDC | "A" WEIGHTED NOISE (dB re 1Vrms) | OUTPUT IMPEDANCE OHMS | | |
|---------------|-----------|-------------------------|---|----------------------------------|-----------------------|------|------|
| | | | | | MIN. | NOM. | MAX. |
| 12C, 12KP | 1.3V | 50 μA MAX. | 3 dB MAX. | -98.0 dB MAX. | 2800 | 4400 | 6800 |



SCALE 4:1

| Revision | C.O. # | Implementation Date | RELEASE LEVEL | REVISION |
|----------|-----------|---------------------|---------------|----------|
| H | M10105050 | 5-20-13 | Active | H |
| G | M10104483 | 1-31-12 | | |

KNOWLES ELECTRONICS
ITASCA, ILLINOIS U.S.A.

WHEN TEST LIMITS ARE USED TO ESTABLISH INCOMING INSPECTION ACCEPTANCE/REJECTION CRITERIA, CORRELATION OF TEST EQUIPMENT WITH KNOWLES IS ALSO REQUIRED FOR ELIMINATION OF EQUIPMENT AND TEST METHOD VARIATION

TITLE: **MICROPHONE**
PERFORMANCE SPECIFICATION

TD-24610-000
SHT 2.1

| DR. BY | DATE |
|---------|---------|
| MMM | 1-17-06 |
| CK. BY | DATE |
| GJP | 1-19-06 |
| APP. BY | DATE |
| GJP | 1-19-06 |