



Chipsmall Limited consists of a professional team with an average of over 10 year of expertise in the distribution of electronic components. Based in Hongkong, we have already established firm and mutual-benefit business relationships with customers from,Europe,America and south Asia,supplying obsolete and hard-to-find components to meet their specific needs.

With the principle of “Quality Parts,Customers Priority,Honest Operation,and Considerate Service”,our business mainly focus on the distribution of electronic components. Line cards we deal with include Microchip,ALPS,ROHM,Xilinx,Pulse,ON,Everlight and Freescale. Main products comprise IC,Modules,Potentiometer,IC Socket,Relay,Connector.Our parts cover such applications as commercial,industrial, and automotives areas.

We are looking forward to setting up business relationship with you and hope to provide you with the best service and solution. Let us make a better world for our industry!



Contact us

Tel: +86-755-8981 8866 Fax: +86-755-8427 6832

Email & Skype: info@chipsmall.com Web: www.chipsmall.com

Address: A1208, Overseas Decoration Building, #122 Zhenhua RD., Futian, Shenzhen, China



SERIES TD SWITCHES

DETECTOR SWITCHES

TACT SWITCHES

NAVIGATION SWITCHES

PUSHBUTTON SWITCHES

TOGGLE SWITCHES

ROCKER SWITCHES

SLIDE SWITCHES

SNAP-ACTION SWITCHES

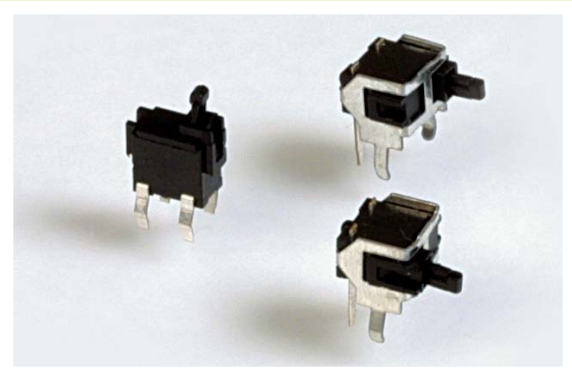
DIP SWITCHES

KEYLOCK SWITCHES

ROTARY SWITCHES

DETECTOR SWITCHES

CAP OPTIONS



SPECIFICATIONS

Ratings:	As per individual model number
Life Expectancy:	As per individual model number
Contact Resistance:	As per individual model number
Insulation Resistance:	100 MΩ min.
Dielectric Strength:	1,000 V rms @ sea level
Actuation Force:	As per individual model number
Operating Force:	As per individual model number
Operating Temperature:	-20°C to +85°C

FEATURES & BENEFITS

- ▶ Long travel
- ▶ Smooth operation

APPLICATIONS/MARKETS

- ▶ Consumer Electronics
- ▶ Computer / Peripherals

HOW TO ORDER

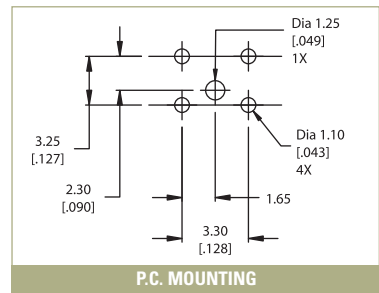
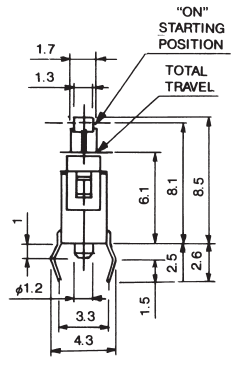
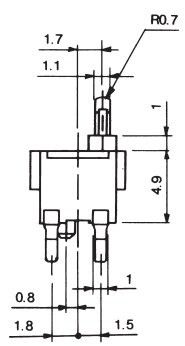
SERIES TD	MODEL NO.				
	<table border="1"> <tr> <td>□</td> <td>□</td> <td>□</td> <td>□</td> <td>□</td> </tr> </table> <p>1104</p> <p>1105 A = Actuator Right</p> <p>1105 B = Actuator Left</p>	□	□	□	□
□	□	□	□	□	

▶ ▶ ▶ Example Ordering Number
TD-1105A

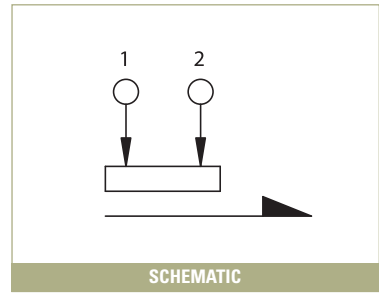
Specifications subject to change without notice.

TD

1104



P.C. MOUNTING



SCHEMATIC

SPECIFICATIONS

Ratings:	100mA @ 30 VDC
Electrical Life:	50,000 cycles typical
Contact Resistance:	1 Ω max.
Operating Force:	36 gf max.

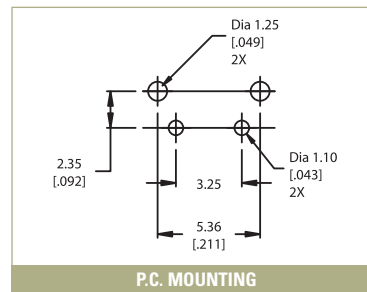
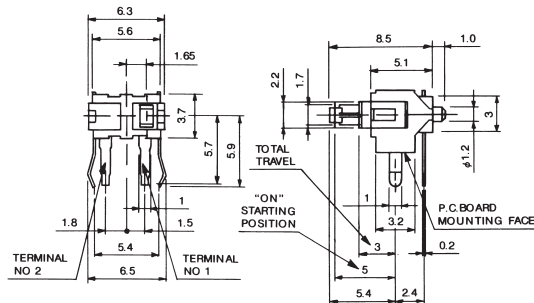
MATERIALS

Housing:	4/6 Nylon
Cover:	6/6 Nylon
Actuator:	6/6 Nylon
Contacts:	Silver-plated phosphor bronze
Terminals:	Silver-plated brass



TD

1105 A



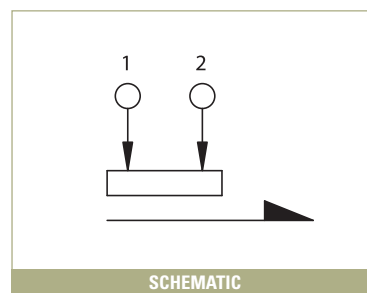
P.C. MOUNTING

SPECIFICATIONS

Ratings:	100mA @ 30 VDC
Life Expectancy:	50,000 cycles typical
Contact Resistance:	1 Ω max.
Operating Force:	36 gf max.

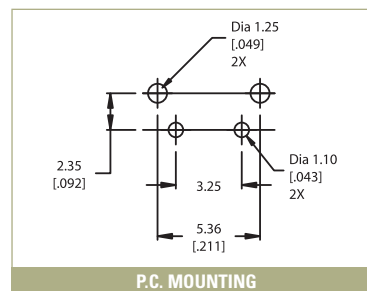
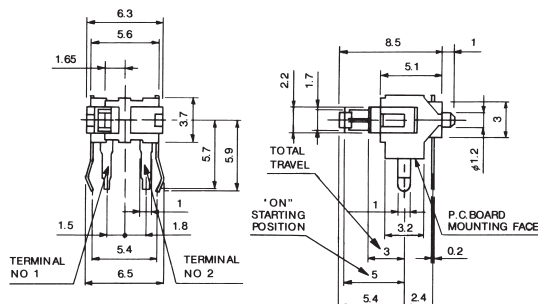
MATERIALS

Housing:	4/6 Nylon
Cover:	6/6 Nylon
Actuator:	6/6 Nylon
Brackets:	Tin-plated steel
Contacts:	Silver-plated phosphor bronze
Terminals:	Silver-plated brass



SCHEMATIC

1105 B



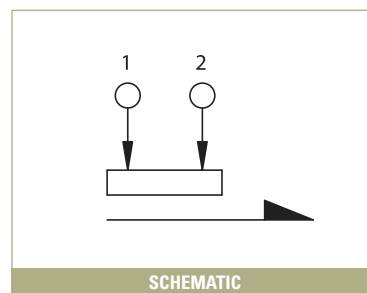
P.C. MOUNTING

SPECIFICATIONS

Ratings:	100mA @ 30 VDC
Life Expectancy:	50,000 cycles typical
Contact Resistance:	1 Ω max.
Operating Force:	36 gf max.

MATERIALS

Housing:	4/6 Nylon
Cover:	6/6 Nylon
Actuator:	6/6 Nylon
Brackets:	Tin-plated steel
Contacts:	Silver-plated phosphor bronze
Terminals:	Silver-plated brass



SCHEMATIC

TACT SWITCHES

NAVIGATION SWITCHES

PUSHBUTTON SWITCHES

TOGGLE SWITCHES

ROCKER SWITCHES

SLIDE SWITCHES

SNAP-ACTION SWITCHES

DIP SWITCHES

KEYLOCK SWITCHES

ROTARY SWITCHES

DETECTOR SWITCHES

CAP OPTIONS