



Chipsmall Limited consists of a professional team with an average of over 10 year of expertise in the distribution of electronic components. Based in Hongkong, we have already established firm and mutual-benefit business relationships with customers from,Europe,America and south Asia,supplying obsolete and hard-to-find components to meet their specific needs.

With the principle of “Quality Parts,Customers Priority,Honest Operation,and Considerate Service”,our business mainly focus on the distribution of electronic components. Line cards we deal with include Microchip,ALPS,ROHM,Xilinx,Pulse,ON,Everlight and Freescale. Main products comprise IC,Modules,Potentiometer,IC Socket,Relay,Connector.Our parts cover such applications as commercial,industrial, and automotives areas.

We are looking forward to setting up business relationship with you and hope to provide you with the best service and solution. Let us make a better world for our industry!



## Contact us

Tel: +86-755-8981 8866 Fax: +86-755-8427 6832

Email & Skype: info@chipsmall.com Web: www.chipsmall.com

Address: A1208, Overseas Decoration Building, #122 Zhenhua RD., Futian, Shenzhen, China



## TRIPLE IGBT/MOS DRIVER WITH CURRENT SENSE

- THREE POWER IGBT/MOS AND PULSE TRANSFORMER DRIVERS
- CURRENT SENSE COMPARATOR
- UNCOMMITTED OP-AMP
- 0.6 A PER CHANNEL PEAK OUTPUT CURRENT CAPABILITY
- LOW OUTPUT IMPEDANCE TYP: 7Ω AT 200mA
- CMOS/LSTTL COMPATIBLE INVERTING INPUT WITH HYSTERESIS
- 4V TO 16V SINGLE SUPPLY OPERATION
- LOW BIAS CURRENT TYP: 1.5mA
- ADJUSTABLE UNDERVOLTAGE LOCKOUT LEVEL
- STAND-BY MODE
- CHANNEL PARALLELING CAPABILITY

### DESCRIPTION

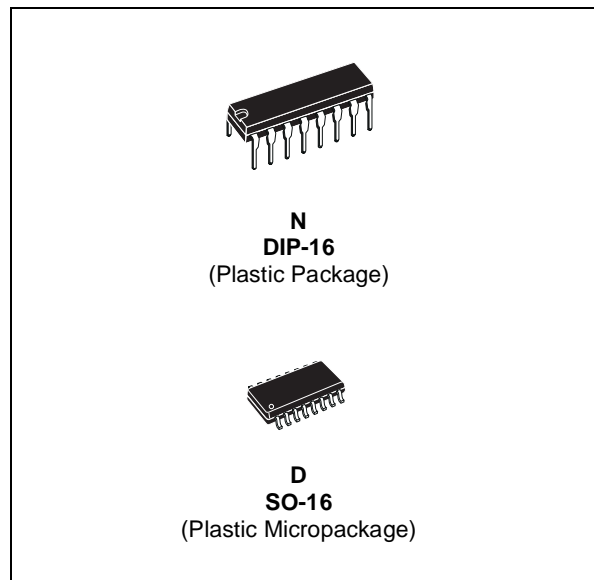
The TD310 is designed to drive one, two or three Power IGBT/MOS and has driving capability for pulse transformer. So it is perfectly suited to interface control IC with Power Switches in low side or half-bridge configuration.

TD310 includes a current sense comparator which inhibit the output drivers in case of overcurrent. An alarm output signals the even to a controller.

TD310 also includes an uncommitted op-amp which can be used for current measurement (as an amplifier before the A/D input of a microcontroller) or for other general purpose.

Programmable undervoltage lockout and standby mode make TD310 suitable for a large area of environment and application.

Typical applications are low side IGBT and power MOSFET drive in three phase systems, pulse transformer drive, and general purpose pulse drive.

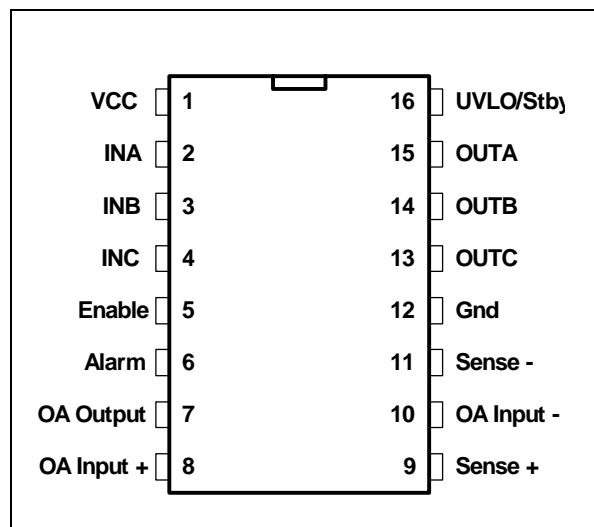


### ORDER CODE

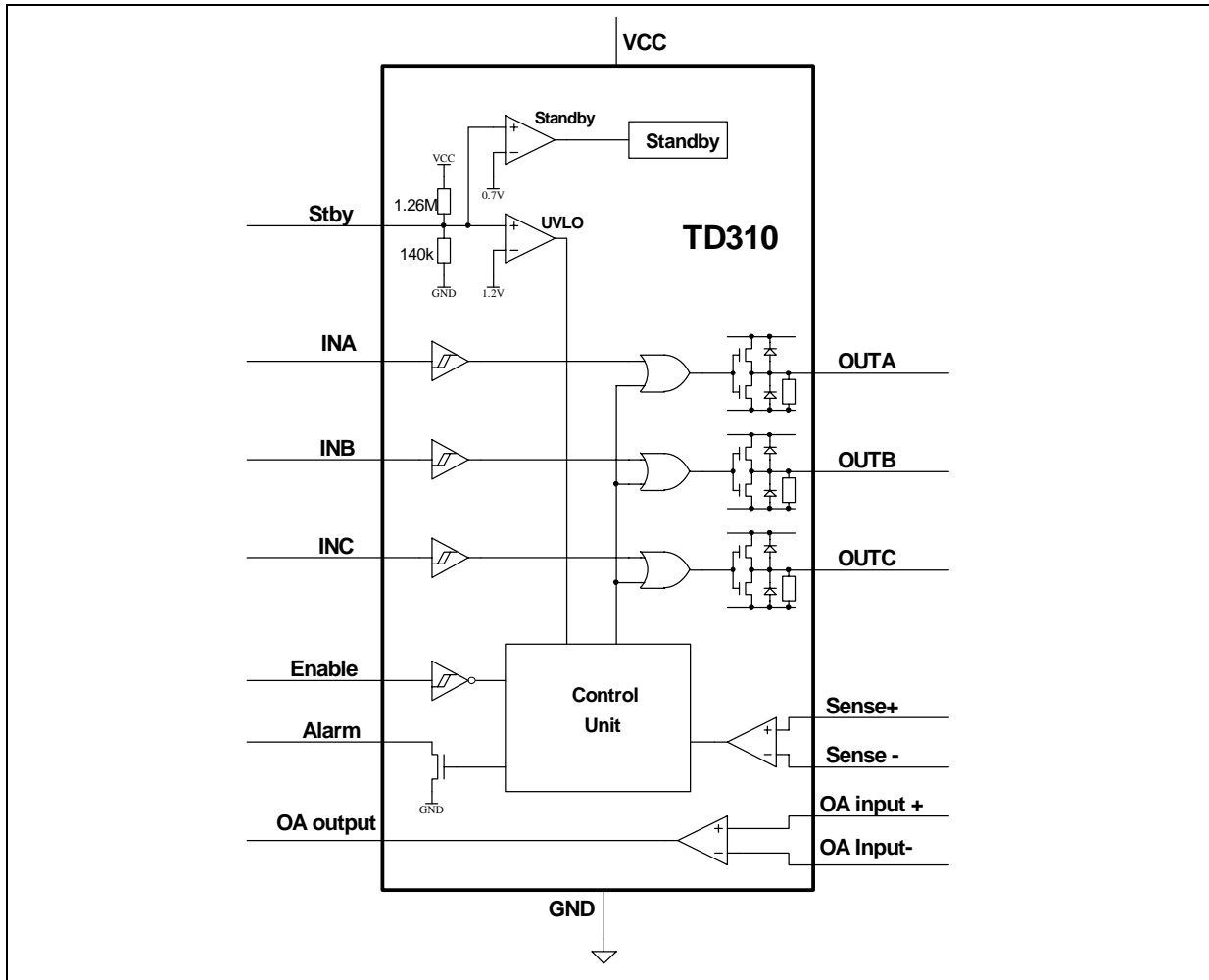
Part Number	Temperature Range	Package	
		N	D
TD310I	-40°C, +125°C	•	•

N = Dual in Line Package (DIP)  
D = Small Outline Package (SO) - also available in Tape & Reel (DT)

### PIN CONNECTIONS (top view)



**BLOCK DIAGRAM**



**ABSOLUTE MAXIMUM RATINGS**

Symbol	Parameter	Value	Unit
$V_{CC}$	Supply Voltage	18	V
$V_i$	Input Voltage	0 to $V_{CC}$	V
$V_{is}$	Sense Input Voltage	-0.3 to $V_{CC}$	V
$T_j$	Operating Junction Temperature	-40 to 150	°C
$T_{amb}$	Operating Ambient Temperature	-40 to 125	°C

**OPERATING CONDITIONS**

Symbol	Parameter	Value	Unit
$V_{CC}$	Supply Voltage	4 to 16	V

**INSTRUCTION FOR USE**

- 1 - The TD310 supply voltage must be decoupled with a 1 $\mu$ F min. capacitor.
- 2 - If the application involving TD310 requires maximum output current capability, this current must be pulsed: pulse width 1 $\mu$ sec, duty cycle 1% at  $T_{amb}$ .

**ELECTRICAL CHARACTERISTICS** $V_{CC} = 15V$ ,  $T_{amb} = 25^{\circ}C$  (unless otherwise specified)

Symbol	Parameter	Min.	Typ.	Max.	Unit
$I_{CC}$	Supply Current with Inputs in High State		1.5	2	mA
<b>LOGIC INPUT (all inputs)</b>					
$V_{IH}$	High Input Voltage	2			V
$V_{IL}$	Low Input Voltage			0.8	V
$I_{IH}$	High Input Current		10		pA
$I_{IL}$	Low Input Current		10		pA
$t_{dH}$ , $t_{eL}$ $t_{dL}$ , $t_{eH}$	Propagation Delay (10% input to 10% output) Output Delay Output Delay $T_{min.} \leq T_{amb} \leq T_{max.}$		200 60	400 400	ns
$t_{ij}$	Input Inhibiting Time		100		ns
$t_{dd}$	Differential Delay Time Between Channels		20		ns
<b>OUTPUT DRIVERS</b>					
$V_{sod}$	Sourcing Drop Voltage (A/B/C outputs) $I_{source} = 200mA$			3	V
$V_{sid}$	Sinking Drop Voltage (A/B/C outputs) $I_{sink} = 200mA$			5	V
$V_{dem}$	Demagnetizing Drop Voltage (A/B/C outputs) $I_{demag.} = 100mA$			2	V
$R_{opd}$	Output Pull Down Resistor		47		k $\Omega$
<b>ALARM OUTPUT</b>					
$I_s$	Low Level Sinking Current $V_O = 0.8V$	5	35		mA
$I_{sh}$	High Level Sinking Current			1	$\mu A$
$t_A$	Alarm Output : Delay Time to Alarm Fall if Sense Input Triggered			500	ns
<b>SENSE INPUT</b>					
$V_{ios}$	Input Offset Voltage			20	mV
$t_{Ai}$	Inhibition Time if Sense Input Triggered		1		ms
$t_s$	Delay Time to Output Fall if Sense Input Triggered All outputs inhibited			600	ns
$t_{si}$	Inhibition Time of Sense Input		300		ns
$V_{shys}$	Sense Hysteresis		40		mV
<b>OPERATIONAL AMPLIFIER</b>					
$V_{icm}$	Common Mode Input Voltage Range	0 to $V_{CC}^+ - 1.5$			V
$V_{io}$	Input Offset Voltage			10	mV
GBP	Gain Bandwidth Product		1		MHz
$A_{vd}$	Open Loop Gain	60			dB
SR	Slew Rate at Unity Gain ( $R_L = 100k\Omega$ , $C_L = 100pF$ , $V_i = 3$ to $7V$ )		0.6		V/ $\mu s$
<b>STAND-BY</b>					
$V_{stdby}$	Standby Mode Threshold Voltage	0.3		1.1	V
$I_{stdby}$	Standby Mode Supply Current		30		$\mu A$
<b>UNDER VOLTAGE LOCKOUT</b>					
$I_{adj}$	Under Voltage Level Adjust Current		1		$\mu A/V$
$V_{st1}$	Internal Stop Threshold (without external adjustment)	10.7		13.3	V
$V_{hys}$	Threshold Hysteresis		0.8		V

**UVLO/stdby pin functioning modes**

Due to the wide supply voltage range of the TD310, the UVLO function (Under Voltage Lock Out) is externally adjustable by a resistor bridge.

The bridge rate can be calculated in relation with the expected UVLO protection level as follows :

$$V_{UVLO} \times \frac{R1}{R1 + R2} = 1.2V \text{ (where R1 is the lower resistor of the bridge)}$$

The internal resistor sets the default UVLO value to 12V (\*) and might influence the external bridge rate if the values of the external resistors are too high. Moreover, the internal resistor ratio is accurate, but the tolerance on the absolute value of each internal resistor (typically 140k and 1.26M) is about +/-20%. If an external bridge is used, we recommend to choose resistor values not greater than 10k.

The standby threshold value depends of the UVLO value as follows:

$$V_{stdby} = 0.7/1.2 V_{UVLO}$$

Both UVLO and stdby functions can be inhibited by connecting the UVLO/stdby pin to  $V_{CC}^+$  via a pull up resistor (ex 150kΩ).

The following table summarizes the functions of the TD310 :

	Pin	16	9/11	5	2/3/4	15/14/13	6	7/8/10	Con- sumption
	Config	UVLO/ stdby	Sense+/ Sense-	Enable	In A/B/C	Out A/B/C	Alarm	Op-Amp	
Normal	1	H	+ > -	X	X	L	L	OK	H (1.5mA)
			+ < -	H	IN	$\overline{IN}$	H		
Stdby	2	L	+ > -	X	X	L	L	HZ	L (30μA)
			+ < -	L	X	L	H		
UVLO	3	M	X	X	X	L	L	OK	H

**Configuration 1 : UVLO/stdby = H**

The TD310 is in a normal consumption state (1.5mA), the operational amplifier is normally functioning and the buffer outputs are determined by the sense comparator inputs, the enable inputs and the buffer inputs.

**Configuration 2 : UVLO/stdby = L**

The TD310 is in a low consumption state (standby mode 30μA), the buffer outputs are set to low state and the operational amplifier is in high impedance state.

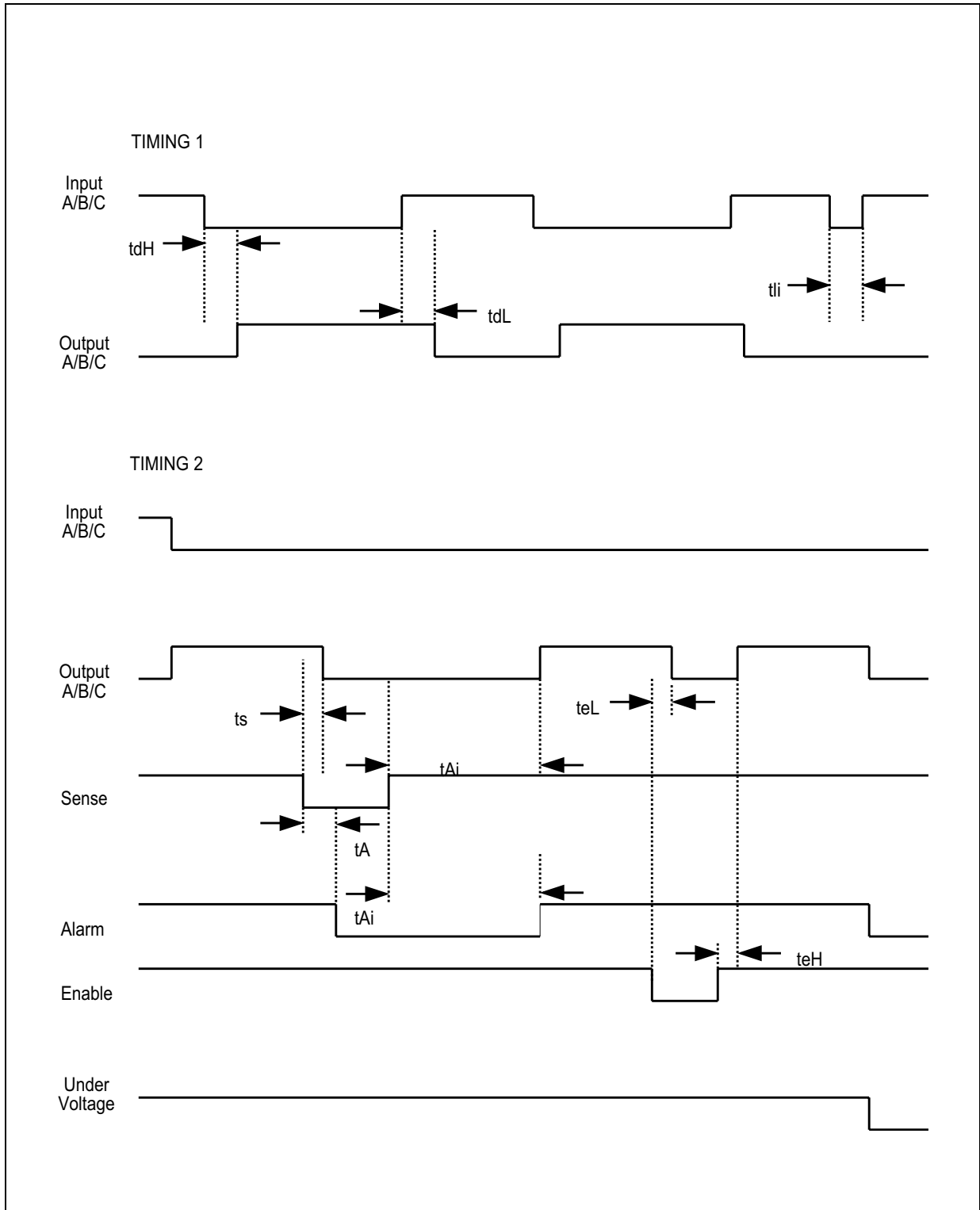
**Configuration 3 : UVLO/stdby = M**

The VCC supply voltage is between  $V_{UVLO}$  and  $V_{stdby}$  (\*\*). The TD310 remains in a normal consumption state and the operational amplifier is normally functioning but the buffer outputs and the alarm pin are set to low state.

(\*) If the UVLO level remains unadjusted, it is recommended to bypass the UVLO/stdby pin with a 1nF capacitor.

(\*\*) If the supply voltage falls below  $V_{stdby}$ , the TD310 is set in standby mode (configuration 2).

TIMING DIAGRAM



TYPICAL APPLICATIONS

Figure 1 : HALF BRIDGE DRIVE IN THREE PHASE MOTOR SYSTEM

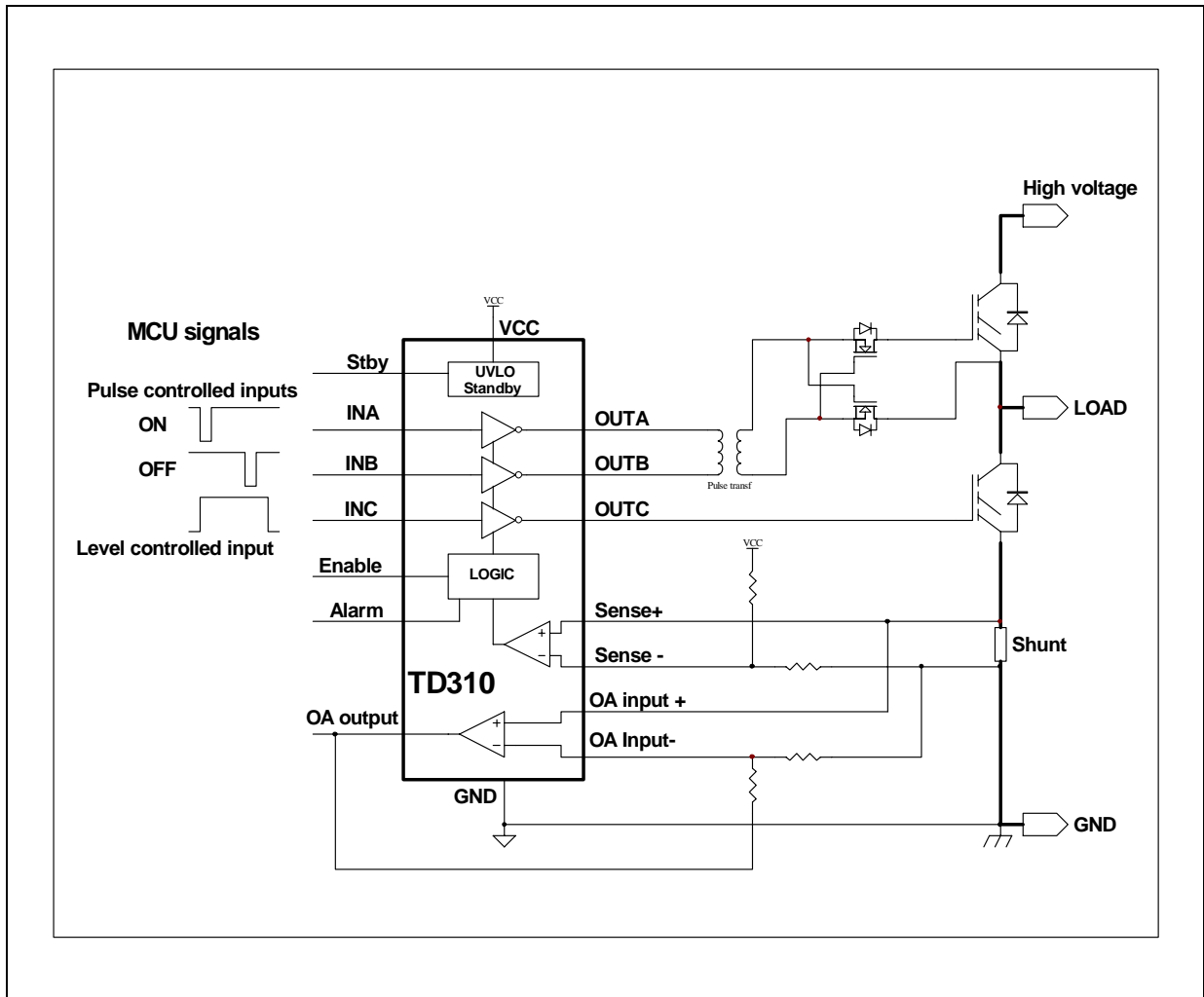




Figure 2 : THREE PHASE MOTOR LOW SIDE DRIVE

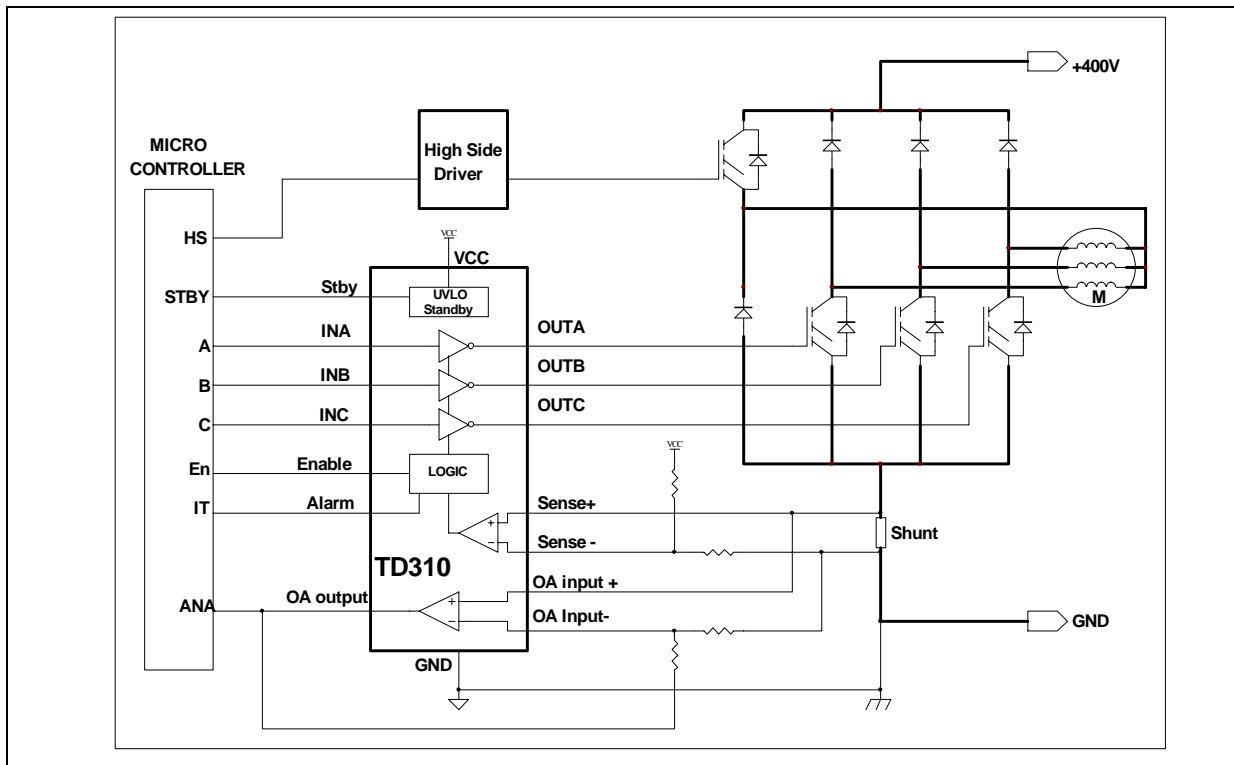
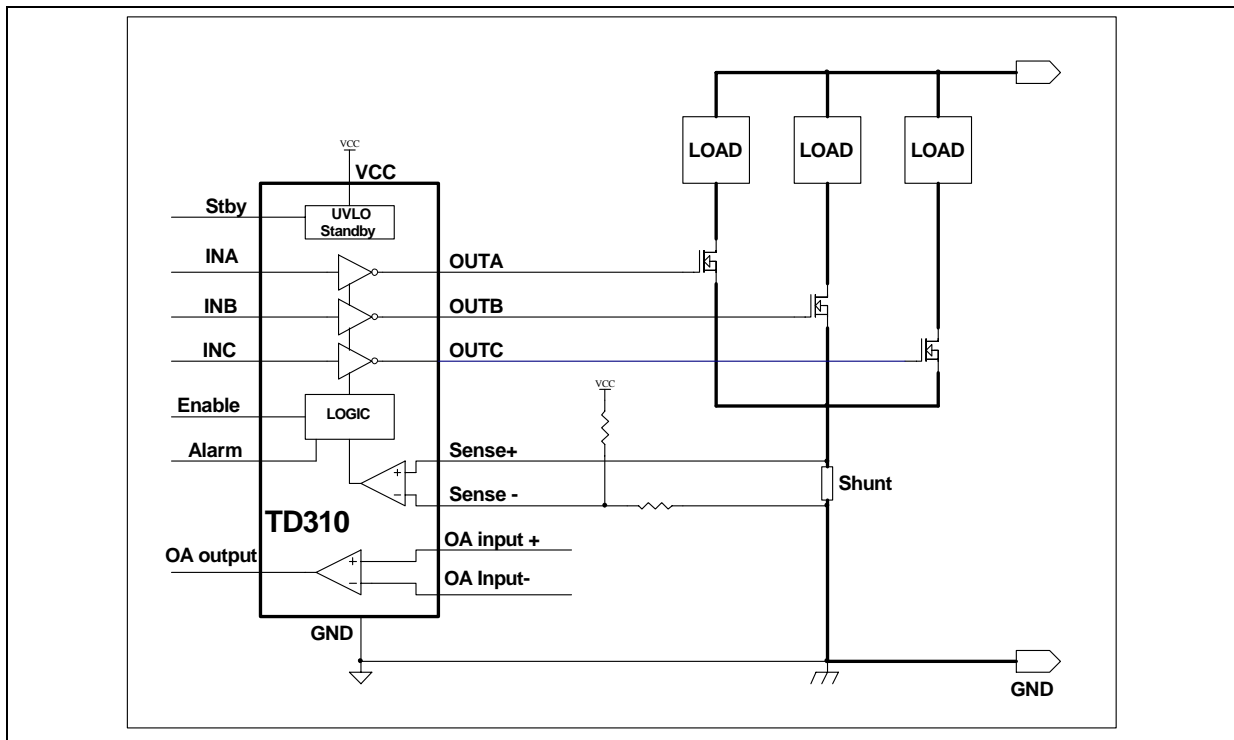
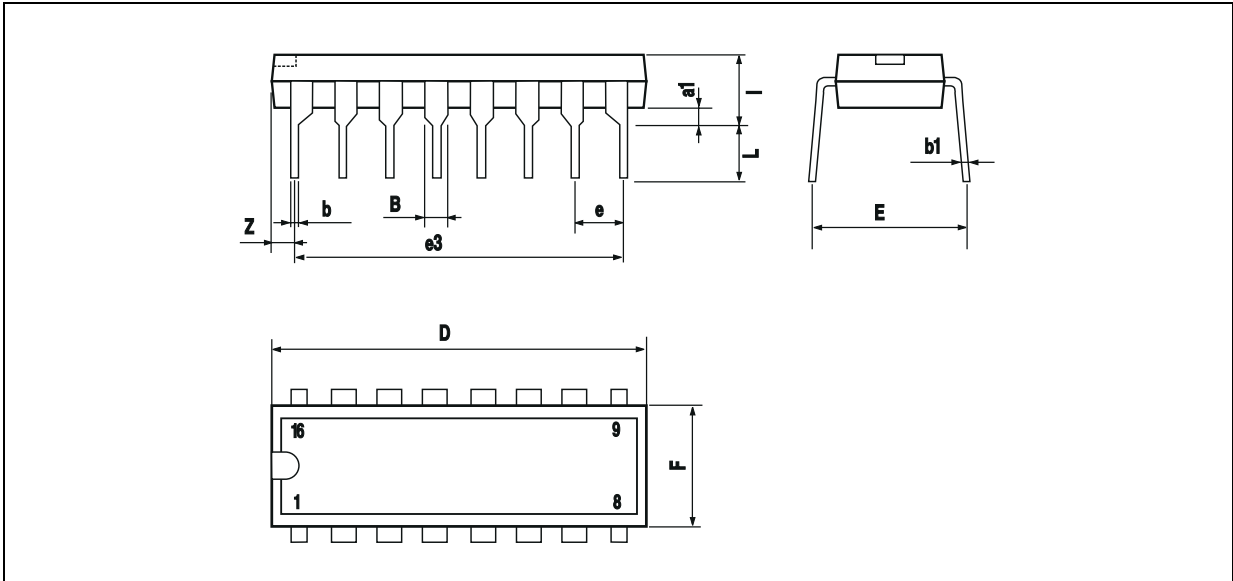


Figure 3 : LOW SIDE DRIVE



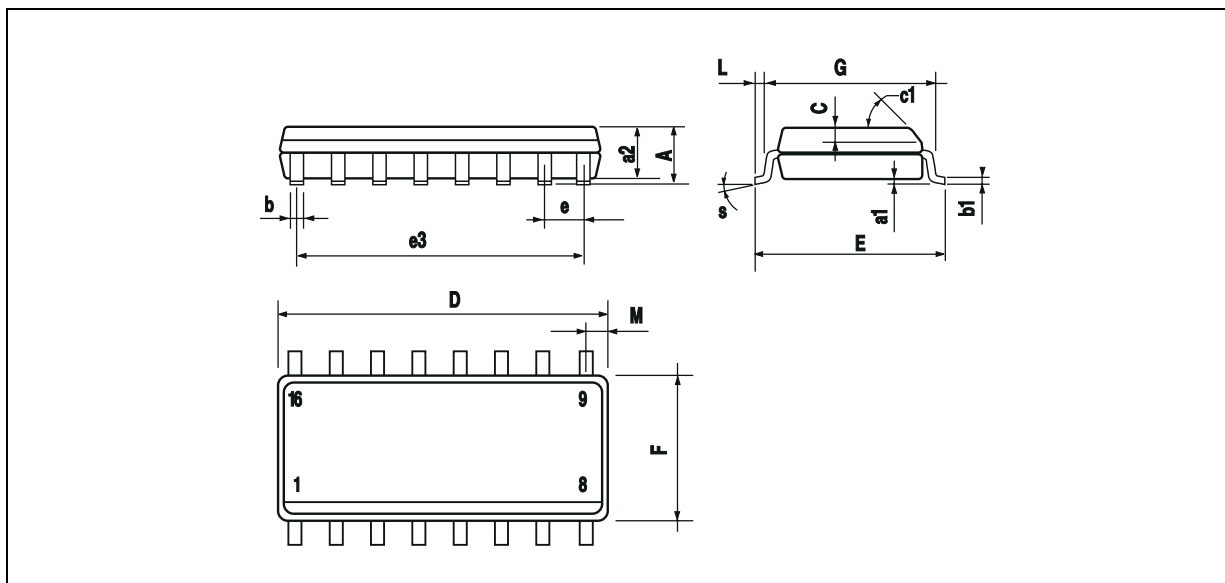


**PACKAGE MECHANICAL DATA**  
**16 PINS - PLASTIC DIP**



Dim.	Millimeters			Inches		
	Min.	Typ.	Max.	Min.	Typ.	Max.
a1	0.51			0.020		
B	0.77		1.65	0.030		0.065
b		0.5			0.020	
b1		0.25			0.010	
D			20			0.787
E		8.5			0.335	
e		2.54			0.100	
e3		17.78			0.700	
F			7.1			0.280
i			5.1			0.201
L		3.3			0.130	
Z			1.27			0.050

**PACKAGE MECHANICAL DATA**  
16 PINS - PLASTIC MICROPACKAGE (SO)



Dim.	Millimeters			Inches		
	Min.	Typ.	Max.	Min.	Typ.	Max.
A			1.75			0.069
a1	0.1		0.2	0.004		0.008
a2			1.6			0.063
b	0.35		0.46	0.014		0.018
b1	0.19		0.25	0.007		0.010
C		0.5			0.020	
c1	45° (typ.)					
D	9.8		10	0.386		0.394
E	5.8		6.2	0.228		0.244
e		1.27			0.050	
e3		8.89			0.350	
F	3.8		4.0	0.150		0.157
G	4.6		5.3	0.181		0.209
L	0.5		1.27	0.020		0.050
M			0.62			0.024
S	8° (max.)					

Information furnished is believed to be accurate and reliable. However, STMicroelectronics assumes no responsibility for the consequences of use of such information nor for any infringement of patents or other rights of third parties which may result from its use. No license is granted by implication or otherwise under any patent or patent rights of STMicroelectronics. Specifications mentioned in this publication are subject to change without notice. This publication supersedes and replaces all information previously supplied. STMicroelectronics products are not authorized for use as critical components in life support devices or systems without express written approval of STMicroelectronics.

© The ST logo is a registered trademark of STMicroelectronics

© 2001 STMicroelectronics - Printed in Italy - All Rights Reserved  
STMicroelectronics GROUP OF COMPANIES

Australia - Brazil - Canada - China - Finland - France - Germany - Hong Kong - India - Israel - Italy - Japan - Malaysia  
Malta - Morocco - Singapore - Spain - Sweden - Switzerland - United Kingdom - United States

© <http://www.st.com>

